

MAGNEIL

WASH SYSTEMS LIMITED

RW-H0033

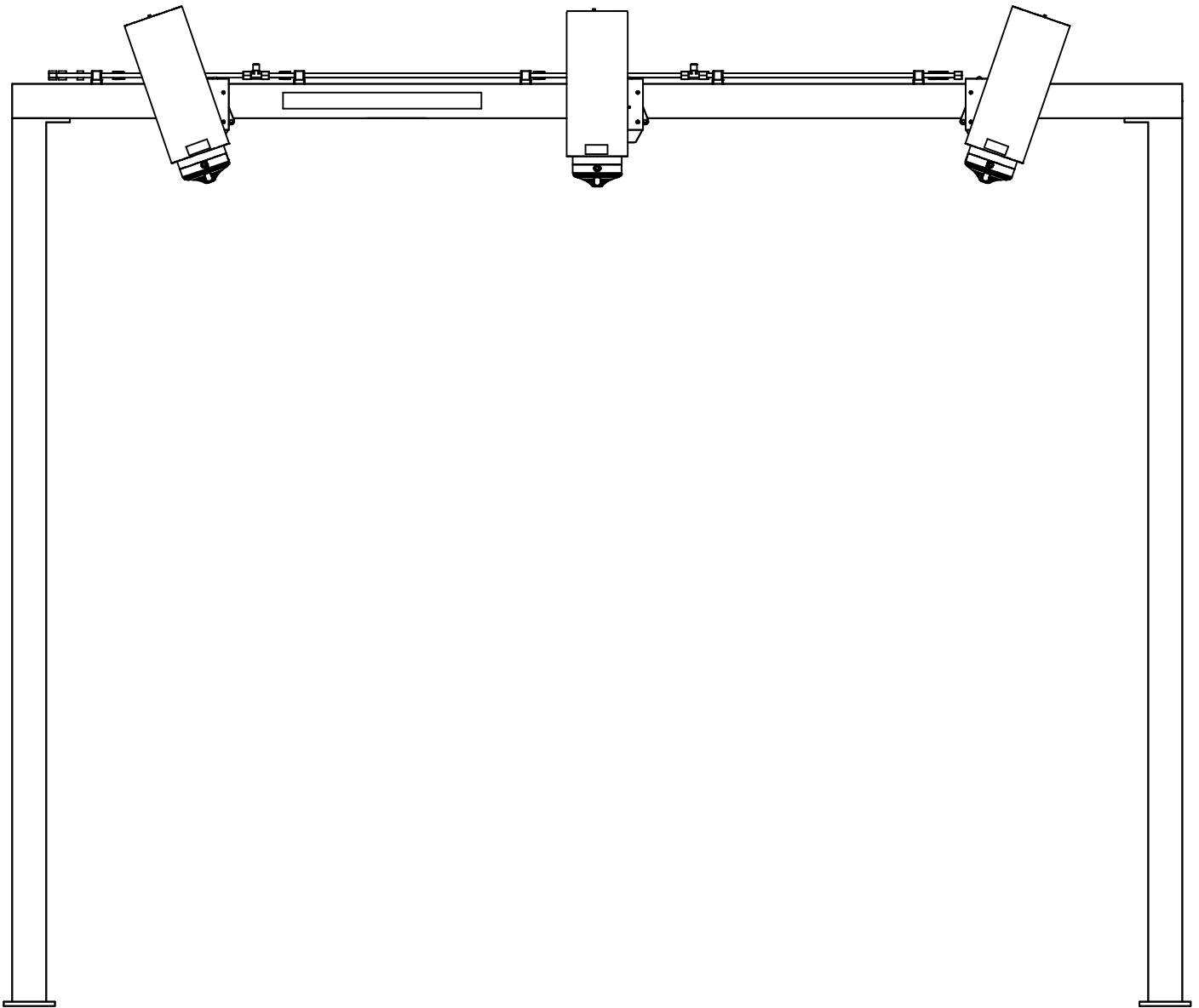
HELIX ARCH

OCT. 99

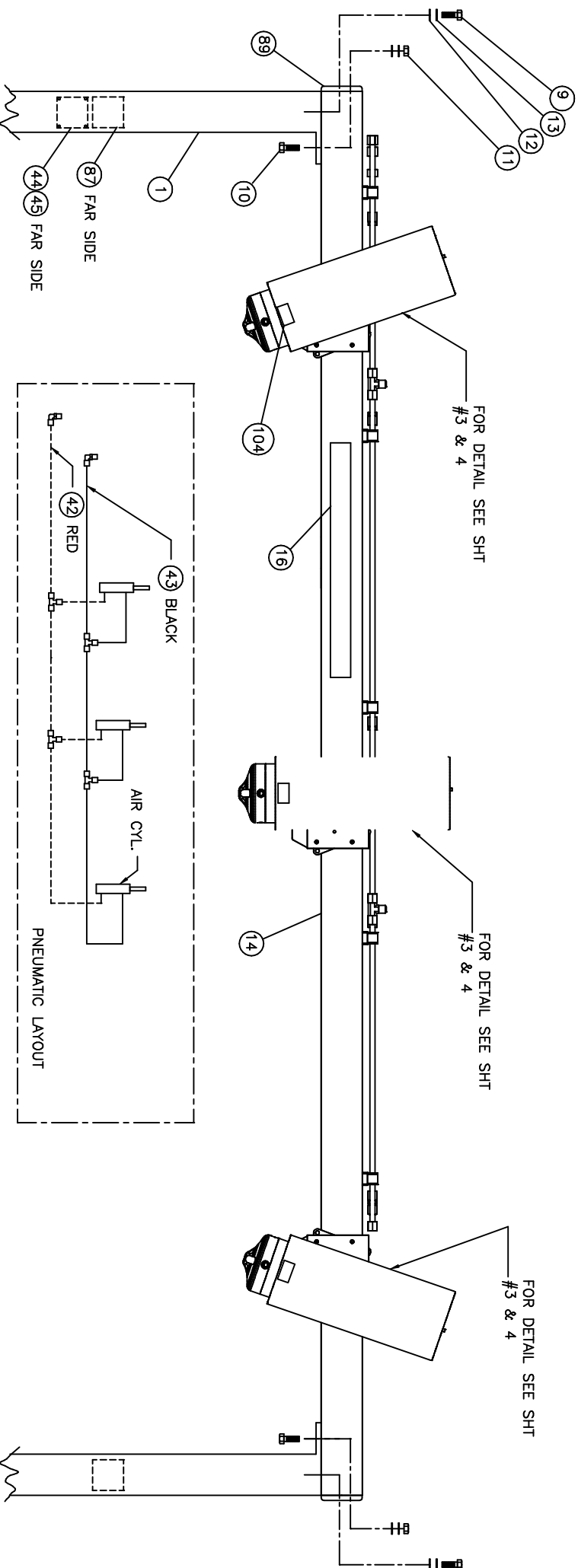
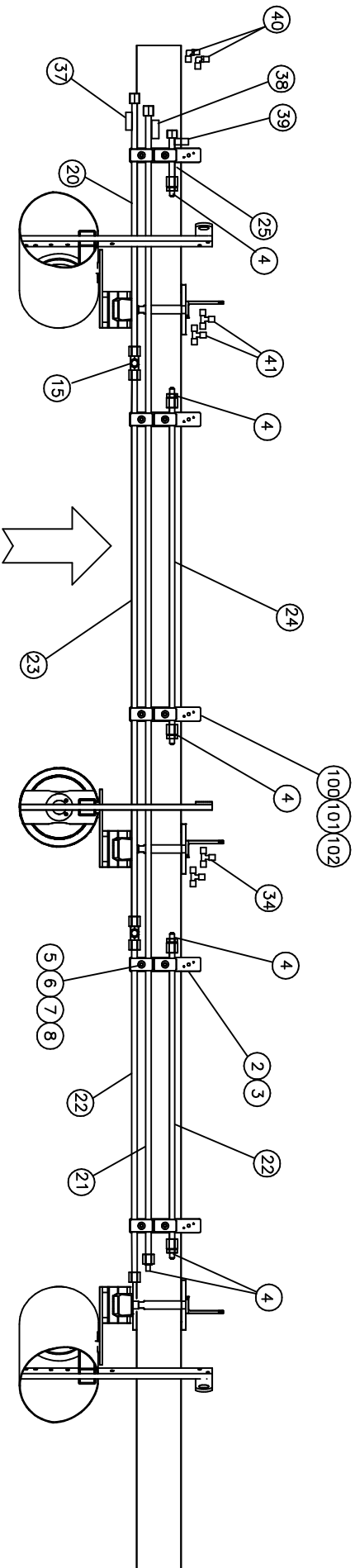
3 SPRAY HEADS

1
OF 7

PARTS LIST



PARTS LIST - TOP BEAM (D/S SUPPLY)



FOR DETAIL SEE SHT #3 & 4

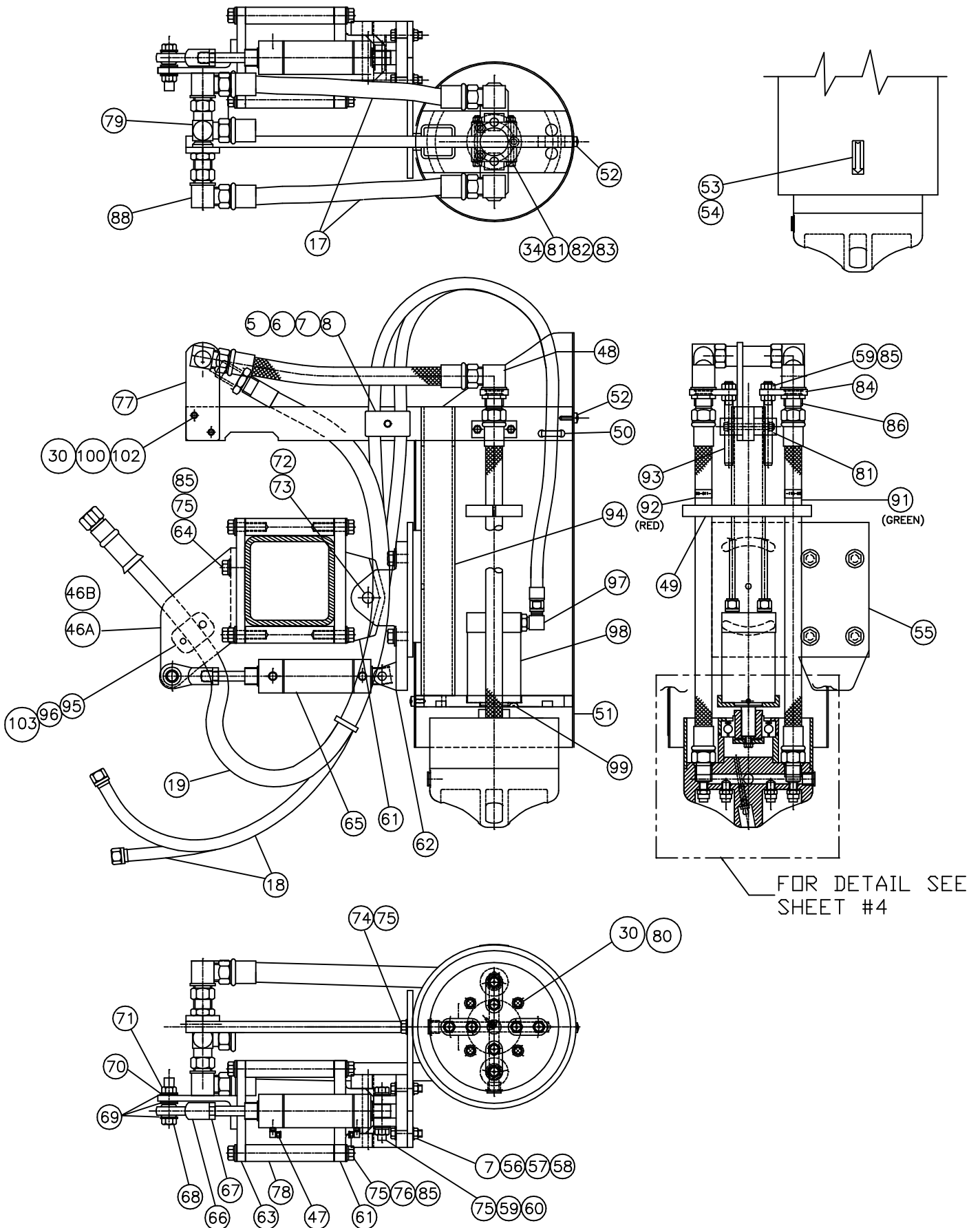
FOR DETAIL SEE SHT #3 & 4

FOR DETAIL SEE SHT #3 & 4

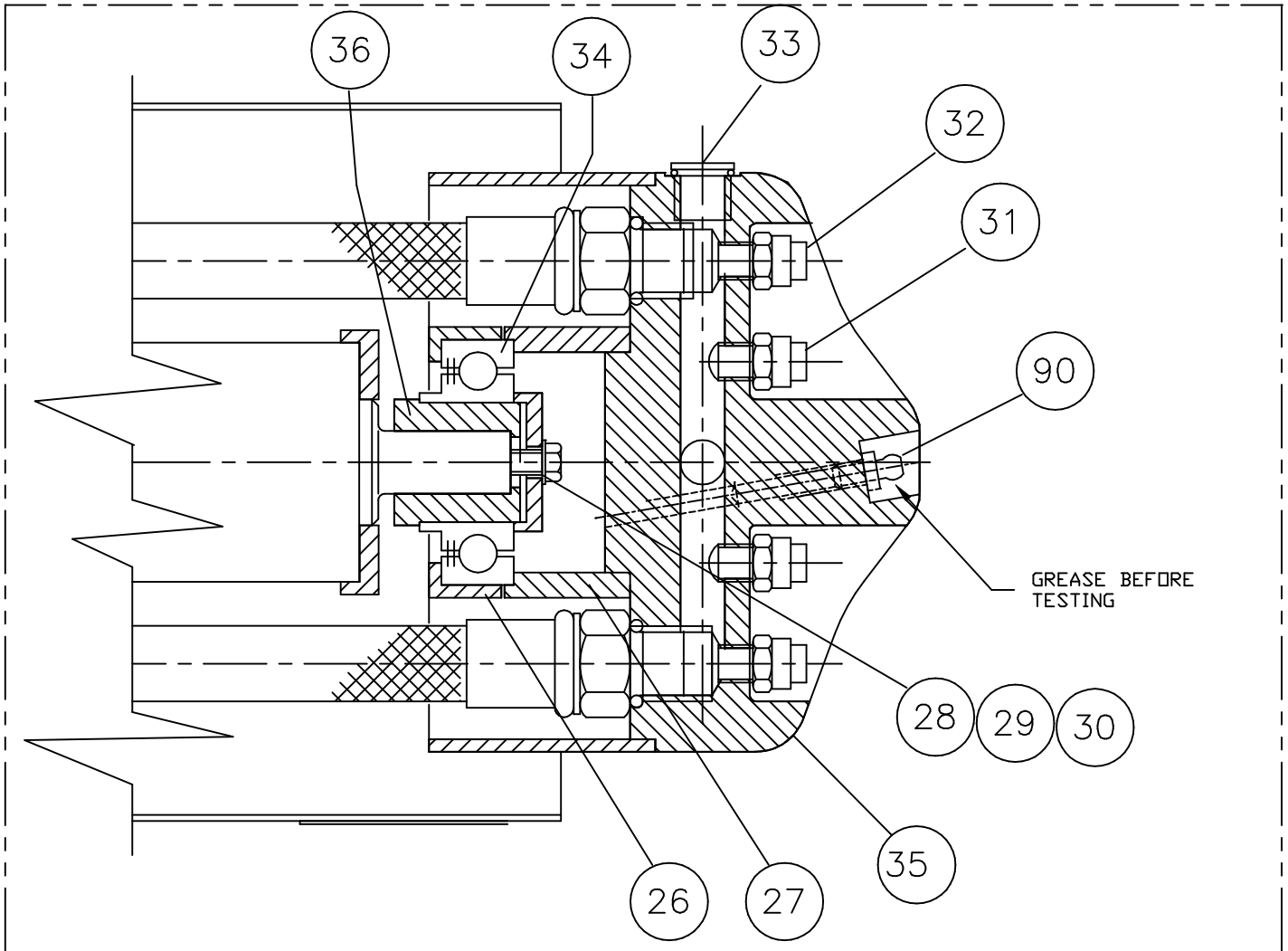
87 FAR SIDE
44 45 FAR SIDE

PNEUMATIC LAYOUT

PARTS LIST - SPRAY HEAD



PARTS LIST - SPRAY HEAD



RW-H0033 PART LIST**PG 5**

Item no.	Req'd	Description	Part no.
1	2	Side Post Ass'y S/G	15-100-00-SG
2	5	Pipe Holding Plate Triple	15-020-04-BK
3	10	SHCS 1/4-20x1" LG	82-704-016-SIC
4	6	Ftg Hyd Reducer 2027-8-4S	95-306-05-PP
5	13	Double Hose Block 1/2" (Pair)	90-152-00-PP
6	13	Hose Block Plate	15-120-00-BK
7	25	Flat Washer 5/16" ID	80-105-000-SI
8	13	HHCS 5/15-18X1-3/4" LG. SS	82-505-028-SIC
9	4	HHCS 1/2"-13 X 1" LG SS	82-508-016-SIC
10	2	HHCS 1/2"-13 X 1-1/2 LG SS	82-508-024-SIC
11	2	1/2-13 Hex Nut SS	84-008-000-SIC
12	6	1/2" Lock Washer SS	80-908-000-SI
13	6	1/2" Flat Washer SS	80-208-000-SI
14	1	Top Beam Ass'y	15-100-04-SG
15	2	Ftg Hyd Tee (2033-8-8S)	95-330-08-PP
16	1	Decal " Helix Cross Cleaning"	36-203-00-PP
17	6	Hyd Hose Ass'y 1/2"ID x 8 1/2"	95-610-00-PP
18	6	Hyd Hose Ass'y 1/4"ID x 53-1/2"	95-626-00-PP
19	3	Hyd Hose Ass'y 1/2" ID x 51-1/4" L	95-627-00-PP
20	1	Pipe Ass'y 22-3/4" LG	15-656-00-MP
21	1	Pipe Ass'y 90-1/2" LG	15-665-00-MP
22	2	Pipe Ass'y 26-3/4" LG	15-658-00-MP
23	1	Pipe Ass'y 46-1/2" LG	15-657-00-MP
24	1	Pipe Ass'y 29-1/2" LG	15-659-00-MP
25	1	Pipe Ass'y 4-1/2" LG	15-660-00-MP
26	3	Head Bearing Pressure Ring	13-101-00-MP
27	3	Head Bearing Ring	13-100-00-MP
28	3	HHCS 1/4-28 x 1" Lg Pl.	82-504-016-ZIF
29	3	Throw Bushing Pressure Plate	13-031-00-MP
30	21	Lock Washer 1/4" ID	80-904-000-SI
31	12	Spray Nozzle Tip SS #3	10-275-00-PP
32	12	Spray Nozzle Tip SS #4	10-274-01-PP
33	6	Hyd Adapter -O- Ring Plug	95-320-03-PP
34	3	Ball Bearing ((RAE30NPPNR, INA	90-195-00-PP
35	3	Spray Head Ass'y	13-020-00-MP
36	3	15 Degree Throw Bushing	13-030-00-PP

RW-H0033 PART LIST**PG 6**

Item no.	Req'd	Description	Part no.
37	4	Decal "Water 1"	36-009-01-PP
38	1	Decal "Return"	36-011-01-PP
39	2	Decal "Pressure"	36-010-01-PP
40	2	Elbow 1/4" Tube 1/4" Tube (6550	90-224-05-PP
41	4	Ftg Tee 1/4" Tube (6540-04-00)	90-234-04-PP
42	1	1/4" Dia. Red Nylon Tube 200" LG	33-361-20-4BK
43	1	1/4" Dia. Black Nylon Tube 200" L	33-361-20-4RD
44	1	Serial I. D. Tag	36-900-00-PP
45	4	Rivet Alum. 1/8" Dia. PR-100	87-002-000-AI
46a	2	Cylinder Mount Type -A-	15-000-05-BK
46b	1	Cylinder Mount Type -B-	15-000-06-BK
47	6	Elbow SWV 1/4 TBE 1/8 NPT	44-158-00-PP
48	10	Bulkhead Elbow	95-310-03-PP
49	3	Rubber Spacer	15-020-06-PP
50	9	Tie Strap 11" White Nylon (NT 11	90-181-11-PP
51	3	Spray Head Round Cover	15-020-03-MP
52	6	Phl. Hd. Mach Scr. #10-24 x 3/8"	83-510-006-SNC
53	3	Label Lh. " Grease Monthly"	36-016-05-PP
54	3	Label Rh. "Grease Monthly"	36-016-04-PP
55	3	Offset Swivel Plate	15-020-08-BK
56	12	HHCS 5/16/-18 x 1-1/4" SS	82-505-020-SIC
57	12	Hex Nut 5/16-18 SS	84-005-000-SIC
58	12	Lock Washer 5/16" ID SS	80-905-000-SI
59	3	Hex Nut 3/8-16 Nylock SS	85-006-000-SIC
60	3	HHCS 3/8-16 x 2" SS	82-506-032-SIC
61	3	Beam Clamp Pivot Plate	15-020-02-MP
62	3	Pivot Plate Cylinder Mount	15-021-00-MP
63	3	Beam Clamp Plate	15-000-08-BK
64	6	HHcs 3/8-16 x 3/4" LG SS	82-506-012-SIC
65	3	Air Cylinder (5-DP-2)	90-100-11-PP
66	3	Cyl. Rod End 7/16-20	90-151-04-PP
67	3	Jam Nut 7/16-20	84-107-000-SIF
68	3	HHCS 7/16-20 x 1-3/4"	82-507-028-SIF
69	9	Flat Washer 7/16" I. D. SAE SS	80-207-000-SI
70	3	Lock Washer 7/16" I. D. SS	80-907-000-SI

RW-H0033 PART LIST**PG 7**

Item no.	Req'd	Description	Part no.
71	3	Hex Nut 7/16-20 SS	84-006-000-SIC
72	3	Pivot Pin	15-000-09-MP
73	6	Cotter Pin 1/8" x 1"	86-002-016-SI
74	6	HHCS 3/8-16 x 1" SS	82-506-016-SIC
75	30	Flat Washer 3/8" I. D. SS	80-106-000-SI
76	24	HHCS 3/8-16 x 1-1/4" SS	82-506-020-SIC
77	3	Supply Plate	15-000-07-BK
78	9	Beam Clamp Spacer	15-000-10-BK
79	3	Bulkhead Ftg (20-3008-8-8S)	95-311-08-PP
80	12	SHCS 1/4-20 x 3" SS	82-704-048-SIC
81	6	Hyd Hose Guide Bearing Block	13-130-00-MP
82	6	HHCS 1/4-20 x 2-1/2" SS	82-504-040-SIC
83	6	1/4-20 Hex Nut Nylock SS	85-004-000-SIC
84	6	Hyd Hose Guide Pin Holder	13-120-00-MP
85	24	3/8"Lock Washer SS	80-906-000-SI
86	6	3/8-16 Hex Nut SS	84-006-000-SIC
87	2	Decal " Warning Powder Coating"	36-012-00-PP
88	6	Elbow (2071-7-8S)	95-316-08-PP
89	2	End Cap (Machined)	65-350-00-MP
90	3	Grease Ftg 1/4-28 Straight	44-133-02-PP
91	3	Hyd Hose Ass'y 3/8 ID x 14" Lg Gr	95-612-00-MP
92	3	Hyd Hose Ass'y 3/8" ID x 14" Lg R	95-611-00-MP
93	6	Hyd Hose Guide Pin	13-121-00-MP
94	3	Spray Head Frame Ass'y	15-000-00-BK
95	3	Single Hose Block	90-153-00-PP
96	6	Flat Washer 1/4" Small OD	80-204-000-SI
97	6	Ftg Hyd Elbow (2062-6-4S)	95-315-04-PP
98	3	Hyd Motor -J- Series	95-100-06-PP
99	9	Screw SS Flt . Hd Soc. 1/4-28 x 3/	83-304-012-SIF
100	5	1/4-20 x 1" HHCS SS	82-504-016-SIC
101	5	1/4" Air Tube Block	15-020-09-BK
102	5	1/4" Flat Washer SS	80-104-000-SI
103	6	SHCS 1/4-20 x 1-1/2" Lg SS	82-704-024-SIC
104	3	Decal "120 RPM"	36-011-02-PP