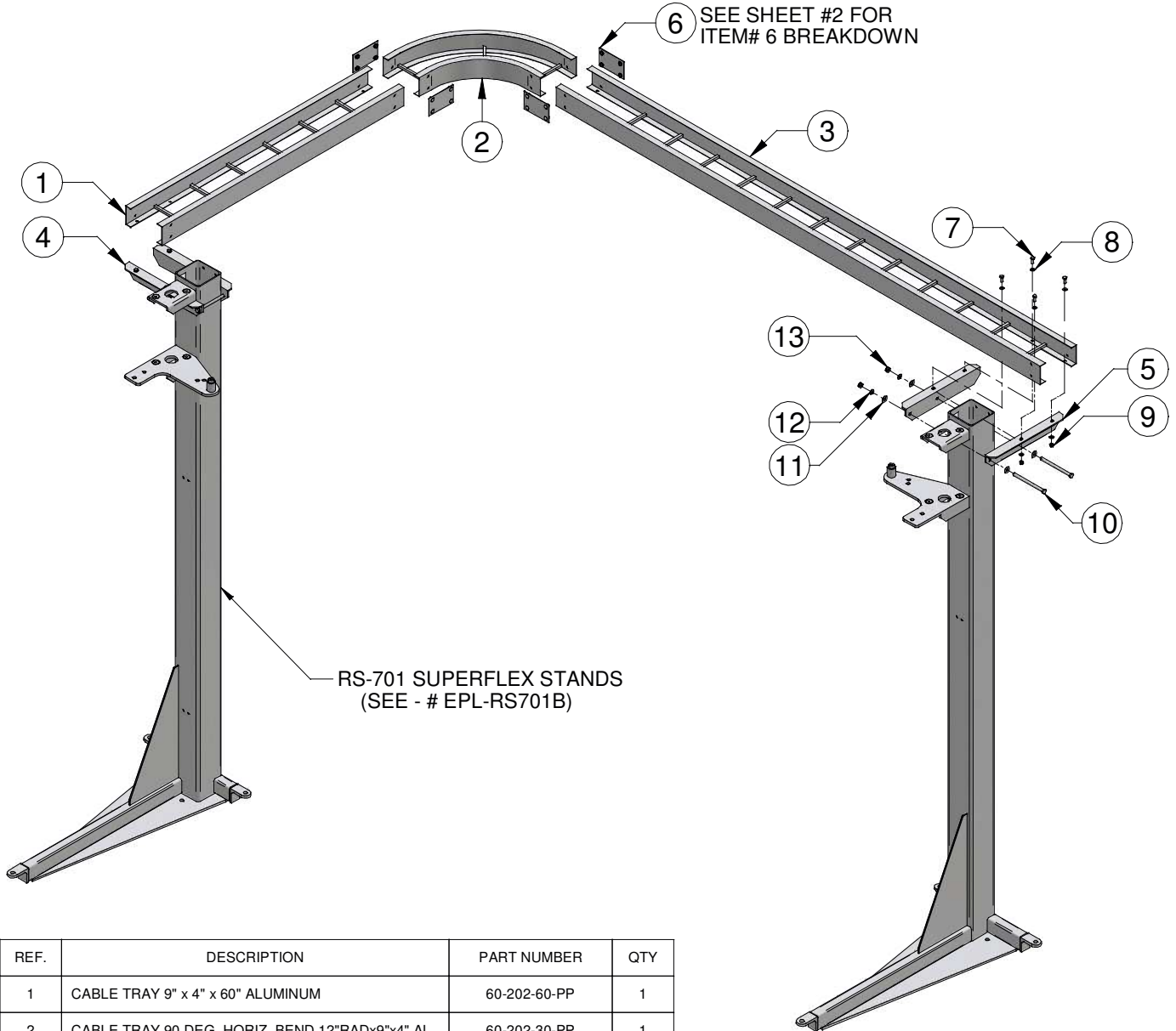


RW-200-S PLUMBING ARCH

DOCUMENT #EPL-RW200-S

PLUMBING ARCH "S" PARTS LIST:



REF.	DESCRIPTION	PART NUMBER	QTY
1	CABLE TRAY 9" x 4" x 60" ALUMINUM	60-202-60-PP	1
2	CABLE TRAY 90 DEG. HORIZ. BEND 12"RADx9"x4" AL	60-202-30-PP	1
3	CABLE TRAY 9" x 4" x 120" ALUMINUM	60-202-01-PP	1
4	L/H SUPPORT ANG. UTILITY TRAY	60-210-01-SG	2
5	R/H SUPPORT ANG. UTILITY TRAY	60-210-02-SG	2
6	PLUMBING ARCH HARDWARE KIT	75-060-01-PP	4
7	HHCS SS 3/8"-16 X 1"	82-506-016-SIC	8
8	WASHER FLAT 3/8" SS	80-106-000-SI	16
9	NUT SS NYLOCK 3/8"-16	85-006-000-SIC	8
10	HHCS SS 1/2"-13 x 7"	82-508-120-SIC	4
11	FLAT WASHER SS 1/2"	80-108-000-SI	8
12	LOCK WASHER SS 1/2"	80-908-000-SI	4
13	NUT SS NYLOCK 1/2"-13	85-008-000-SIC	4



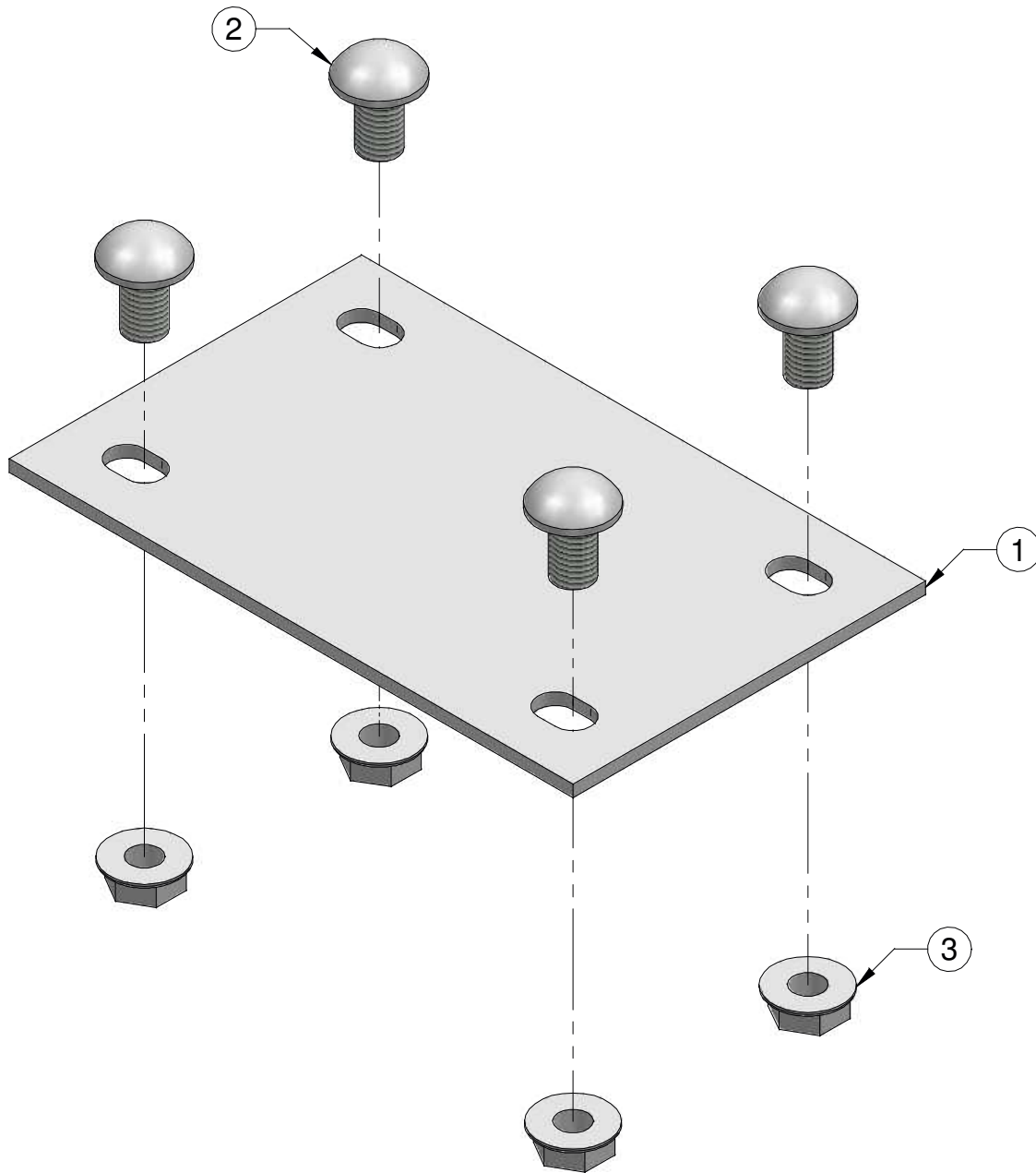
90 Welham Road, Barrie, Ontario 705-722-7649

TITLE PLUMBING ARCH S		
PART NO 60-020-10	DWG NO 60-020-10	REV B
DATE: OCT. 5, 2005		SHEET 1 OF 2

RW-200-S PLUMBING ARCH

DOCUMENT #EPL-RW200-S

PLUMBING ARCH "S" HARDWARE KIT #75-060-01-PP



REF.	DESCRIPTION	PART NUMBER	QTY
1	4 BOLT SPLICE PLATE	75-060-01-A	1
2	SPLICING BOLT 3/8"-16 SS TRUSS HEAD	75-060-01-B	4
3	SS SERRATED HEX LOCK NUT 3/8"-16	75-060-01-C	4



90 Welham Road, Barrie, Ontario 705-722-7649

TITLE PLUMBING ARCH S

PART NO
60-020-10

DWG NO
60-020-10

REV
B

DATE: OCT. 5, 2005

SHEET 2 OF 2