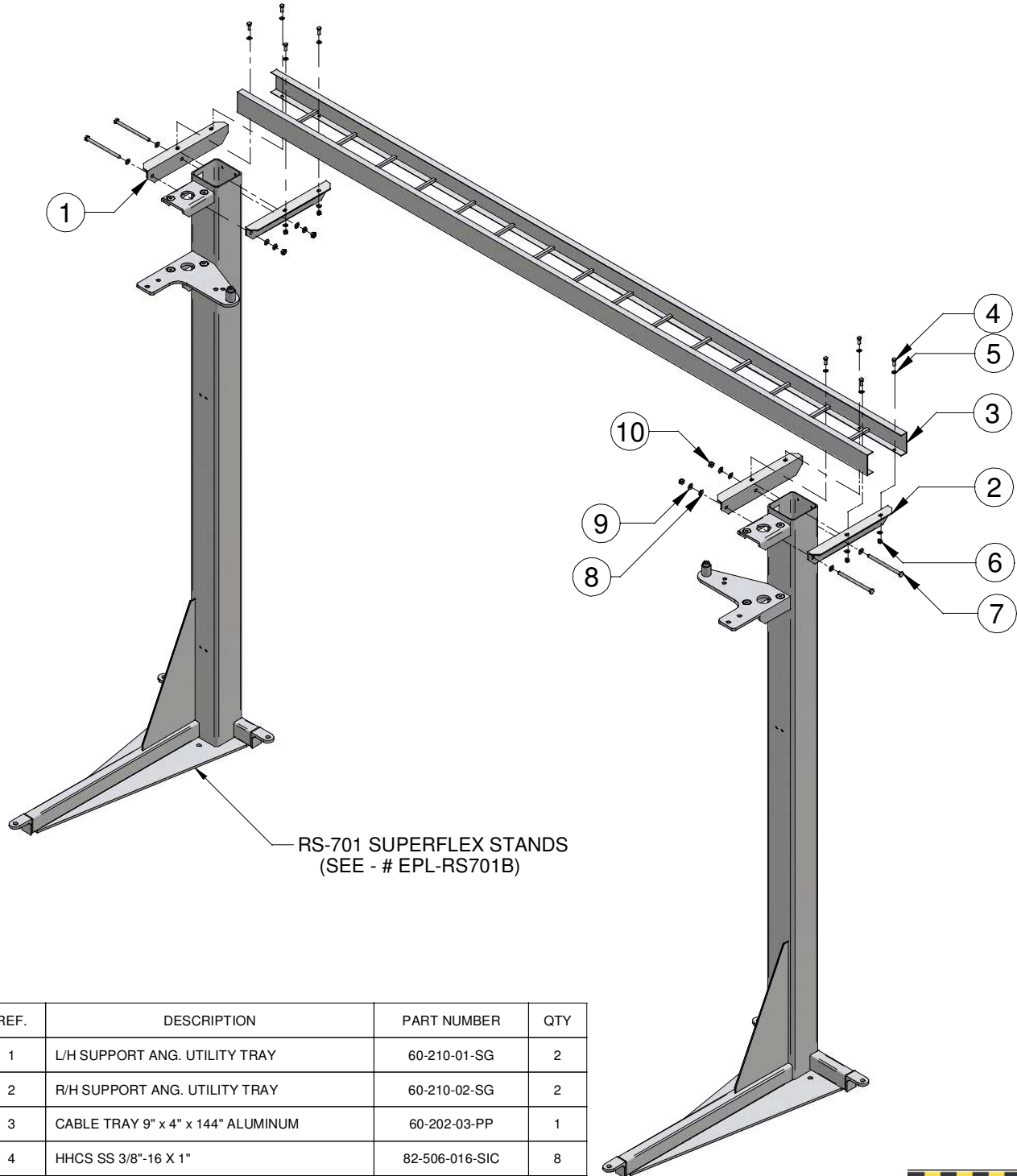


# RW-200-P PLUMBING ARCH

DOCUMENT #EPL-RW200-P

## PLUMBING ARCH "P" PARTS LIST:



REF.	DESCRIPTION	PART NUMBER	QTY
1	L/H SUPPORT ANG. UTILITY TRAY	60-210-01-SG	2
2	R/H SUPPORT ANG. UTILITY TRAY	60-210-02-SG	2
3	CABLE TRAY 9" x 4" x 144" ALUMINUM	60-202-03-PP	1
4	HHCS SS 3/8"-16 X 1"	82-506-016-SIC	8
5	WASHER FLAT 3/8" SS	80-106-000-SI	16
6	NUT SS NYLOCK 3/8"-16	85-006-000-SIC	8
7	HHCS SS 1/2"-13 x 7"	82-508-120-SIC	4
8	WASHER FLAT 1/2" SS	80-208-000-SI	8
9	LOCK WASHER SS 1/2"	80-908-000-SI	4
10	NUT SS NYLOCK 1/2"-13	85-008-000-SIC	4



90 Welham Road, Barrie, Ontario 705-722-7649

TITLE PLUMBING ARCH P		
PART NO 60-030-10	DWG NO 60-030-10	REV B
DATE: OCT. 4, 2005		SHEET 1 OF 1