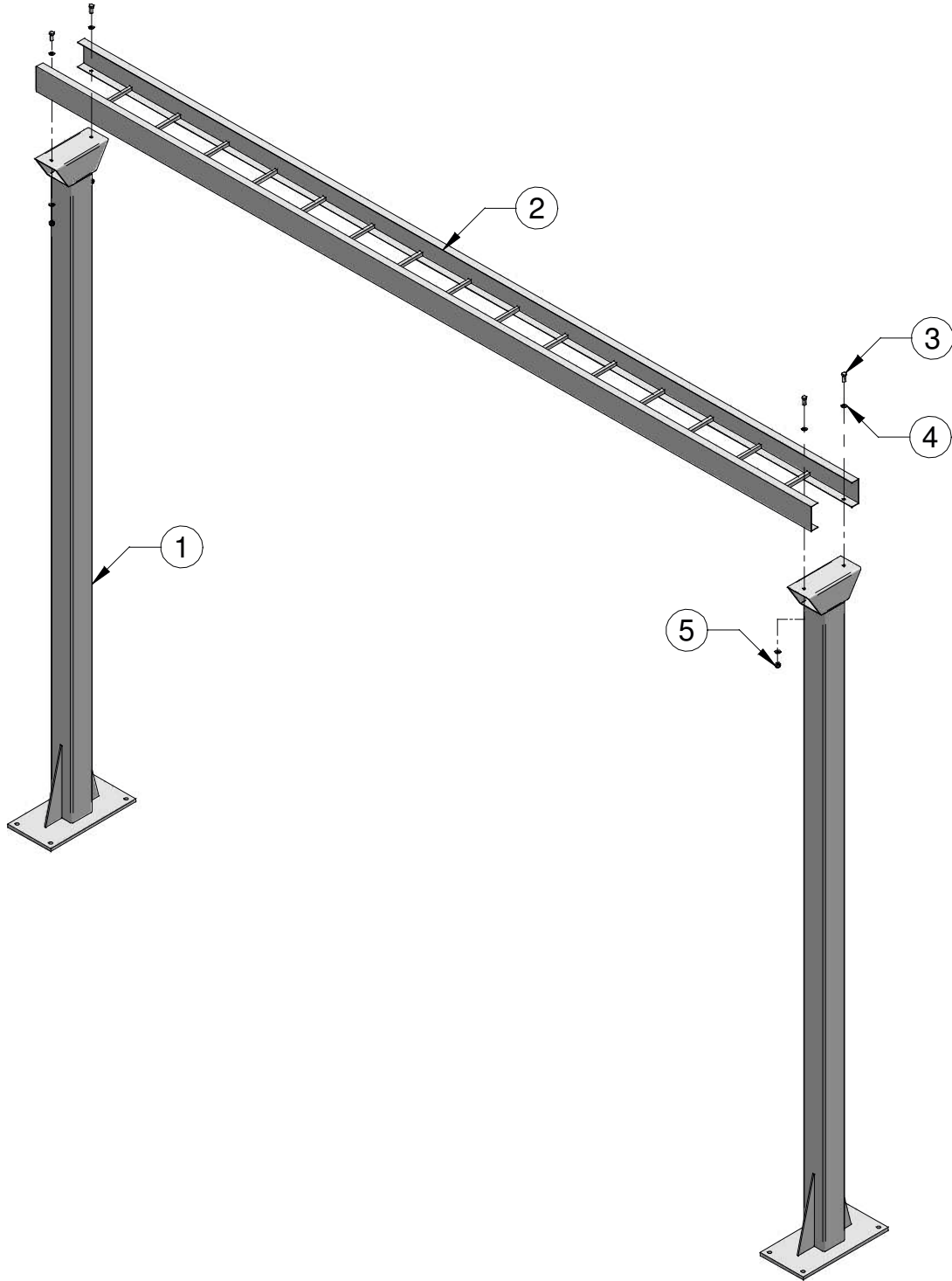


# RW-200-B PLUMBING ARCH

## DOCUMENT #EPL-RW200-B



REF.	DESCRIPTION	PART NUMBER	QTY
1	POST WELDMENT PLUMBING BRIDGE -S/G	60-220-00-SG	2
2	CABLE TRAY 9" x 4" x 144" ALUMINUM	60-202-03-PP	1
3	HHCS SS 3/8"-16 X 1"	82-506-016-SIC	4
4	WASHER FLAT 3/8" SS	80-106-000-SI	8
5	NUT SS NYLOCK 3/8"-16	85-006-000-SIC	4



90 Welham Road, Barrie, Ontario 705-722-7649

TITLE PLUMBING ARCH B		
PART NO 60-S40-10	DWG NO 60-S40-10	REV B
DATE: OCT. 3, 2005		SHEET 1 OF 1