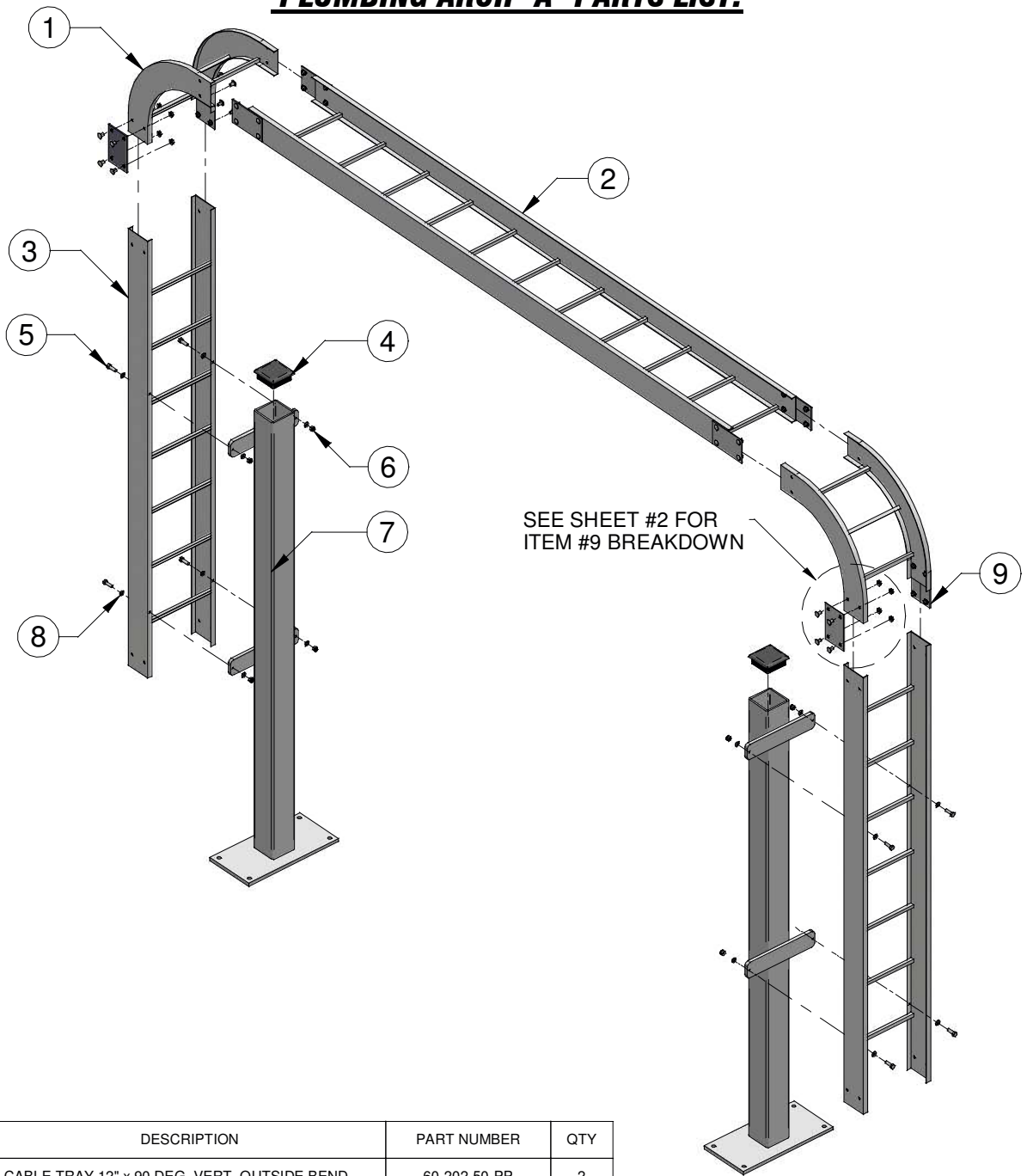


# RW-200-A PLUMBING ARCH

DOCUMENT #EPL-RW200-A

## PLUMBING ARCH "A" PARTS LIST:



REF.	DESCRIPTION	PART NUMBER	QTY
1	CABLE TRAY 12" x 90 DEG. VERT. OUTSIDE BEND	60-202-50-PP	2
2	CABLE TRAY 12" x 4" x 99" ALUMINUM	60-202-90-PP	1
3	CABLE TRAY 12" x 4" x 72" ALUMINUM	60-202-72-PP	2
4	END CAP 4" X 4"-MACHINED	65-350-00-MP	2
5	HHCS SS 3/8"-16 X 1-1/4"	82-506-020-SIC	8
6	NUT SS NYLOCK 3/8"-16	85-006-000-SIC	8
7	POST WELDMENT - CARWASH ENTRY ARCH -SG	60-201-00-SG	2
8	WASHER FLAT 3/8" SS	80-106-000-SI	16
9	PLUMBING ARCH HARDWARE KIT	75-060-01-PP	8



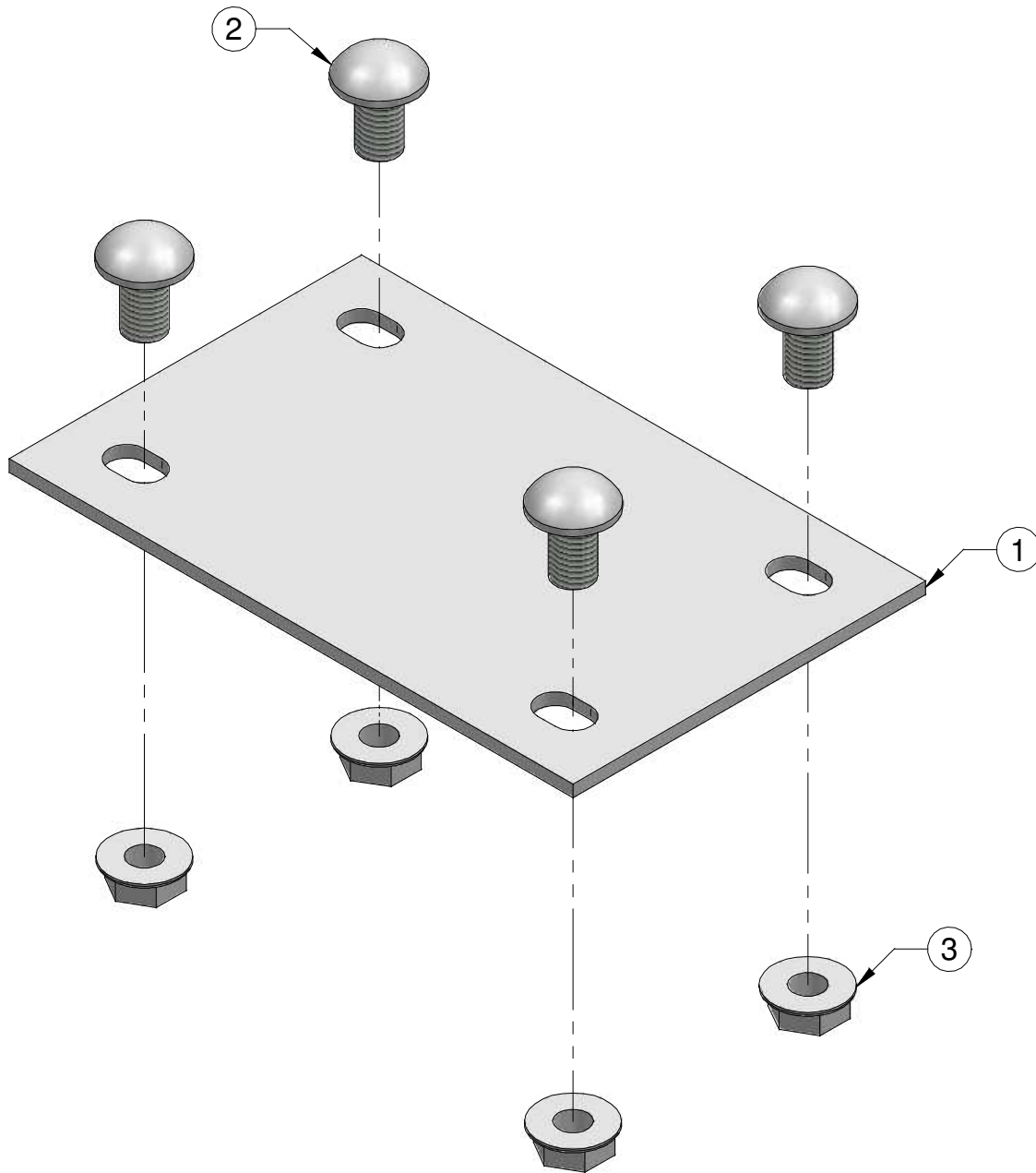
90 Welham Road, Barrie, Ontario 705-722-7649

TITLE PLUMBING ARCH A		
PART NO 60-S10-10	DWG NO 60-S10-10	REV B
DATE: OCT. 3, 2005		SHEET 1 OF 2

# RW-200-A PLUMBING ARCH

DOCUMENT #EPL-RW200-A

## PLUMBING ARCH "A" HARDWARE KIT #75-060-01-PP



REF.	DESCRIPTION	PART NUMBER	QTY
1	4 BOLT SPLICE PLATE	75-060-01-A	1
2	SPLICING BOLT 3/8"-16 SS TRUSS HEAD	75-060-01-B	4
3	SS SERRATED HEX LOCK NUT 3/8"-16	75-060-01-C	4



90 Welham Road, Barrie, Ontario 705-722-7649

TITLE PLUMBING ARCH A

PART NO 60-S10-10	DWG NO 60-S10-10	REV B
----------------------	---------------------	----------

DATE: OCT. 3, 2005

SHEET 2 OF 2