

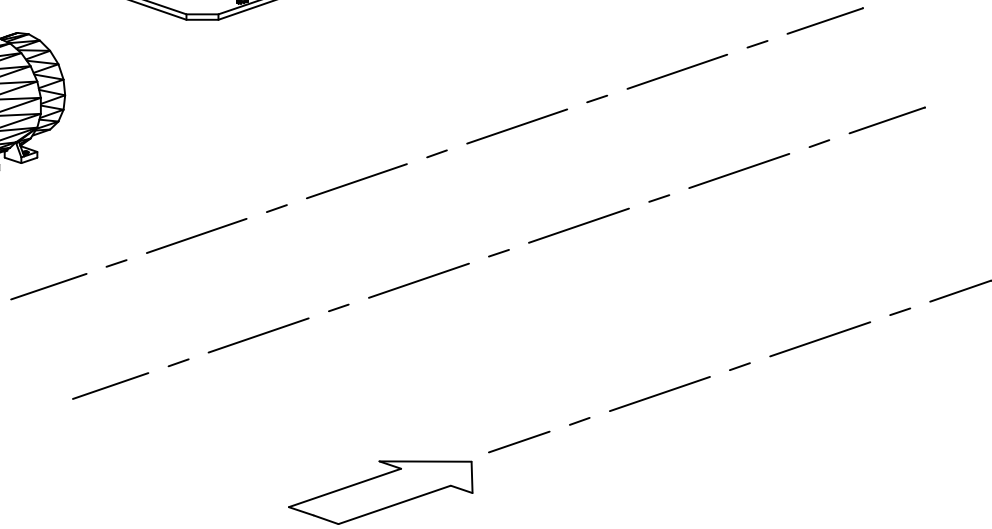
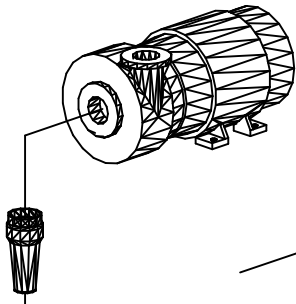
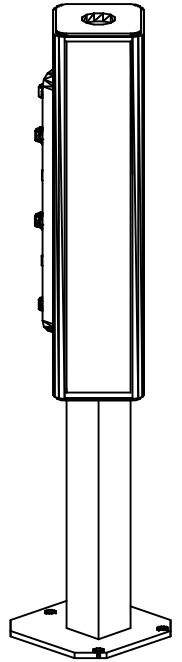
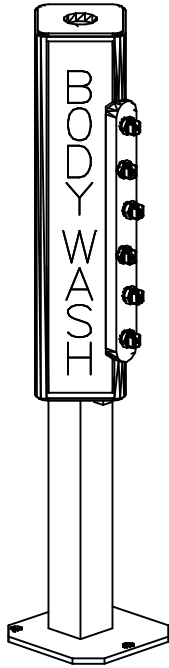
MAC NEIL

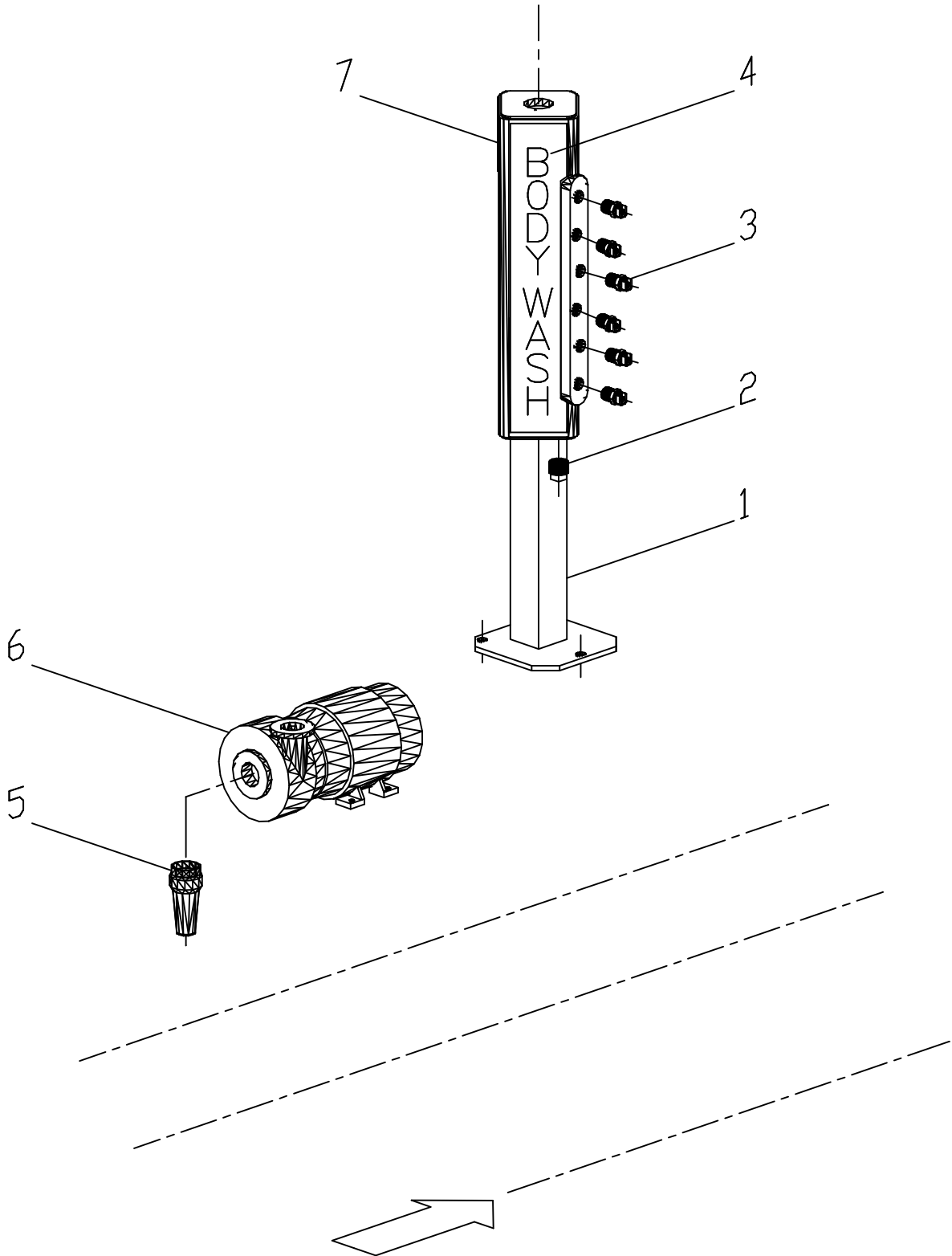
WASH SYSTEMS LIMITED

RW-120  
BODY WASH

JANUARY '99

1





<u>PART LIST</u>				Page # 3
Item #	Req'd	Description	Part #	Remarks
1	2	Body Wash Weldment	12-000-00-SG	
2	2	3/4"NPT Counter Sunk Plug	90-052-12-PP	
3	12	Spray Nozzle Brass Tip	10-270-01-PP	
4	4	Body Wash Decal	36-120-00-PP	
5	1	Foot Valve 2"	90-130-00-PP	
6	1	Centrifugal Pump 5HP	70-501-00-PP	
7	2	Serial Identification Tag	36-900-00-PP	