



**RW116/115/114/TRIPLE FOAMERS**

**DOCUMENT #EPL-RW TRIPLE FOAMER**

**INCLUDES:**

**PANEL BOARD CONTROLLER #45-255/257-00-MP**

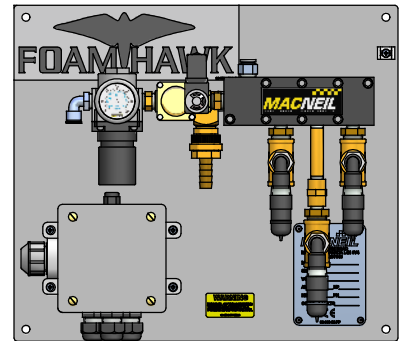
**RW116 TRIPLE FOAMER**

**-STAND ALONE STANDARD #45-S10-00**

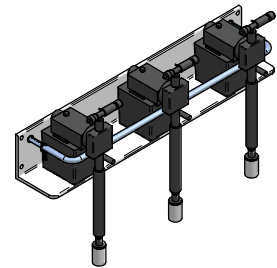
**-BRACKET MOUNT STANDARD #45-S20-00**

**RW115 NEON SIGN #47-S \_ \_ \_ \_**

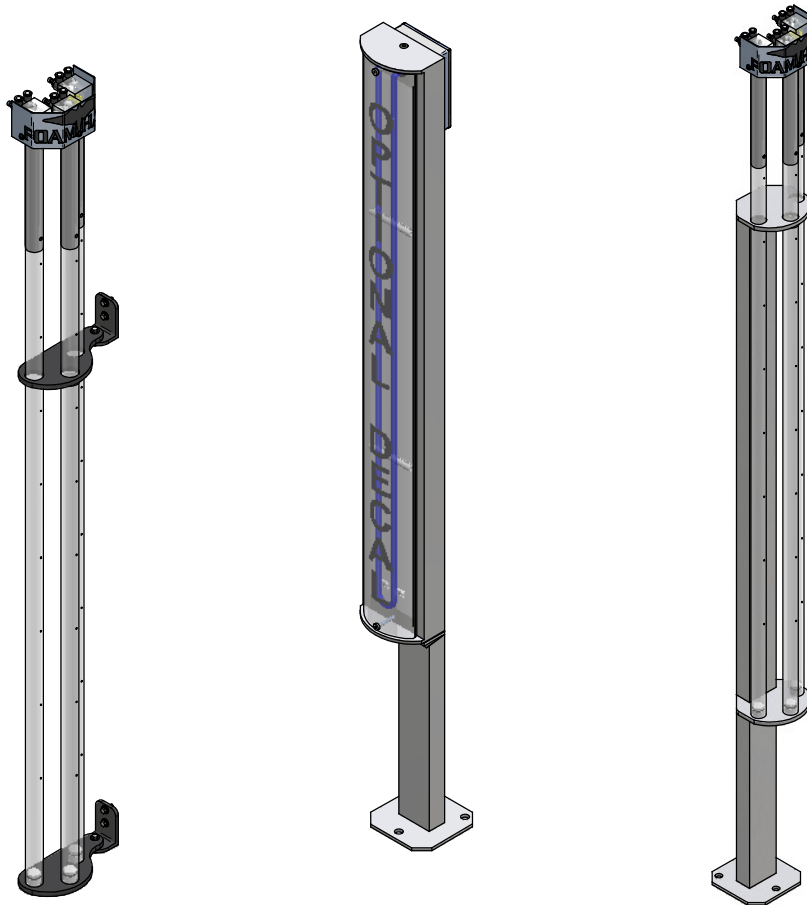
**RW114 TRIPLE FOAMER w/NEON SIGN #57-S \_ \_ \_ \_ \_**



CONTROLLER



PUMPS w/ BRACKET



BRACKET MOUNT

NEON SIGN

STAND ALONE

**MacNeil Wash Systems- Parts List**



90 Welham Road, Barrie, Ontario 705-722-7649

TITLE PARTS LIST TRIPLE FOAMERS		
PART NO EPL-RW116-115-114	DWG NO EPL-RW116-115-114	REV B
DATE: JULY 2007	SHEET 1 OF 12	

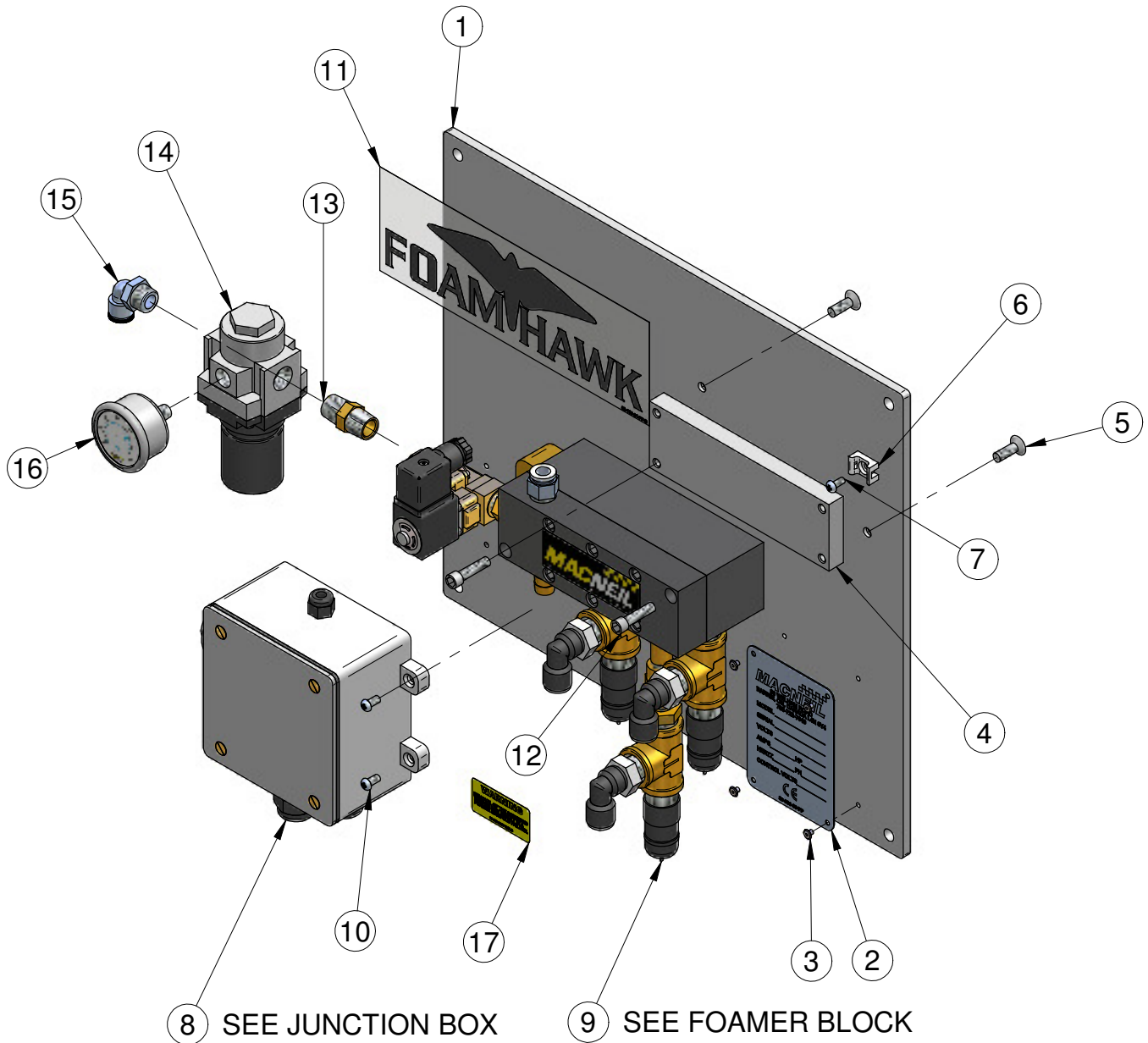
# RW116 CONTROLLER 24V OR 110V

## PANEL BOARD CONTROLLER STANDARD

-24V #45-255-00-MP

-110V #45-257-00-MP

### COMPLETE PANEL BOARD SHOWN



90 Welham Road, Barrie, Ontario 705-722-7649

TITLE PARTS LIST TRIPLE FOAMERS		
PART NO EPL-RW116-115-114	DWG NO EPL-RW116-115-114	REV B
DATE: JULY 2007		SHEET 2 OF 12

# MacNeil Wash Systems- Parts List

**RW116 CONTROLLER 24V OR 110V**  
**PANEL BOARD CONTROLLER STANDARD**  
**-24V #45-255-00-MP**  
**-110V #45-257-00-MP**  
**COMPLETE PANEL BOARD**

REF.	DESCRIPTION	PART NUMBER	QTY
1	TRIPLE FOAMER PANEL BRD AL CLR ANO'D	45-255-10-CL	1
2	MACNEIL SERIAL ID TAG -NEW LOGO	36-900-00-PP	1
3	RIVET AL 1/8"Dia PR-100-AI	87-002-000-AI	4
4	FOAMER BLOCK MOUNTING PLATE	45-255-02-MP	1
5	SCRW SS FLT HD PHL 1/4"-20 X 5/8"	83-604-010-SIC	2
6	CRADLE MOUNT NYLON CM8	70-150-01-PP	1
7	SCREW PHL PAN-HD SS #8-32 x 3/8"	83-508-006-SNC	1
8	TRIPLE FOAMER 24V PANEL BOARD ASSY- JUNCTION BOX	SEE SHT w/JUNCTION BOX	1
9	TRIPLE FOAMER 24V PANEL BOARD ASSY- FOAMER BLOCK	SEE SHT w/ FOAMER BLOCK	1
10	SCRW SS PAN-HD PHL #10-24 x 3/8"	83-510-006-SNC	4
11	DECAL 'FOAM HAWK'	36-116-01-PP	1
12	SHCS SS 1/4"-20 x 1"	82-704-016-SIC	2
13	FTG NIPPLE BR HEX 3/8"MNPT 122-C	90-212-04-PP	1
14	REGULATOR AIR 3/8"	90-111-00-PP	1
15	ELBOW SWV 3/8"NPT X 3/8" TBE	90-225-00-PP	1
16	GAUGE AIR 0-60 PSI BACK MOUNT 1/8MPT MWS	90-060-00-PP	1
17	DECAL TRIPLE FOAMER WARNING DECAL	36-045-00-PP	1



90 Welham Road, Barrie, Ontario 705-722-7649

TITLE PARTS LIST TRIPLE FOAMERS		
PART NO EPL-RW116-115-114	DWG NO EPL-RW116-115-114	REV B
DATE: JULY 2007		SHEET 3 OF 12

**MacNeil Wash Systems- Parts List**

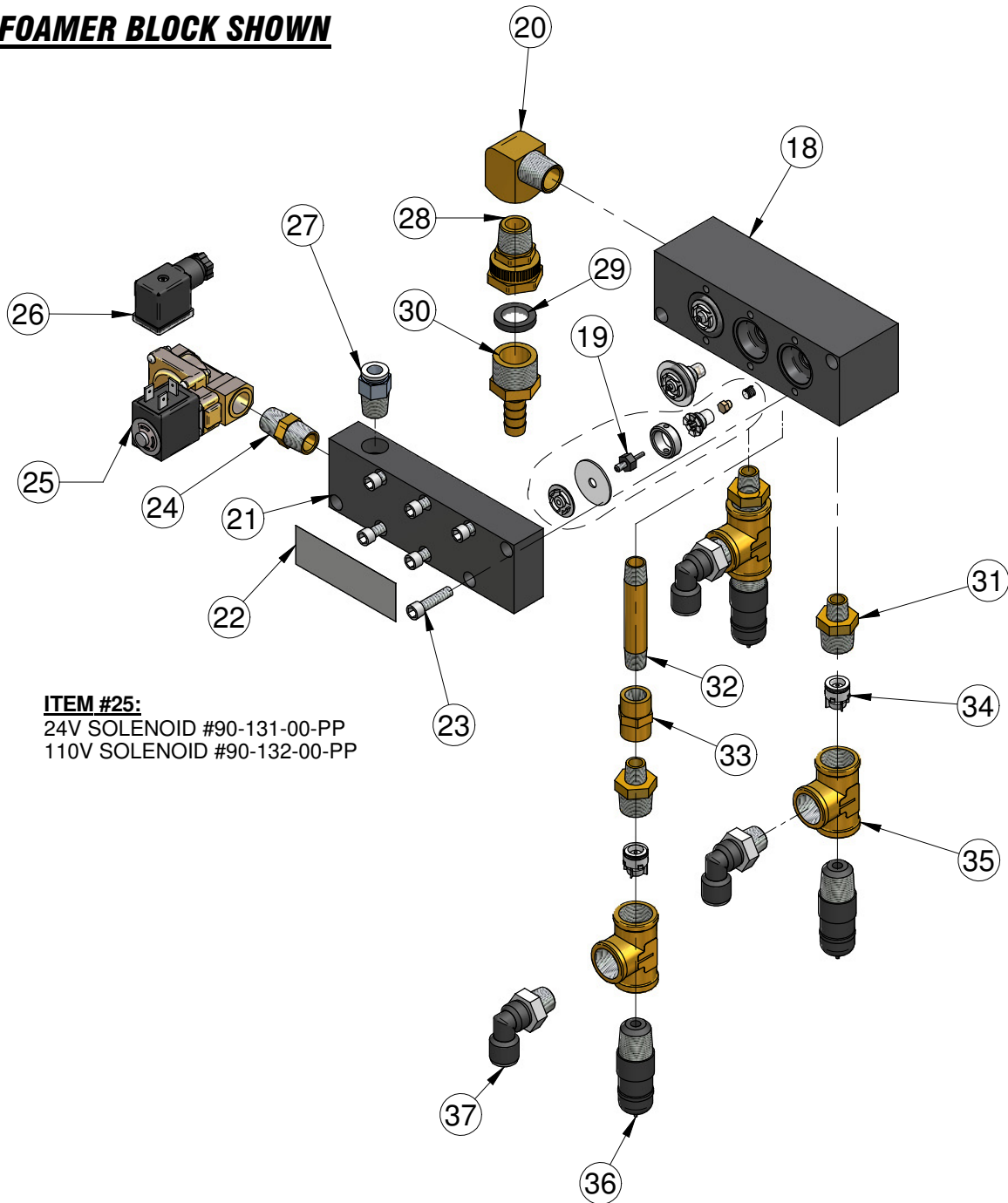
# RW116 CONTROLLER 24V OR 110V

## PANEL BOARD CONTROLLER STANDARD

-24V #45-255-00-MP

-110V #45-257-00-MP

### FOAMER BLOCK SHOWN



**ITEM #25:**

24V SOLENOID #90-131-00-PP  
110V SOLENOID #90-132-00-PP



90 Welham Road, Barrie, Ontario 705-722-7649

TITLE PARTS LIST TRIPLE FOAMERS		
PART NO EPL-RW116-115-114	DWG NO EPL-RW116-115-114	REV B
DATE: JULY 2007	SHEET 4 OF 12	

# MacNeil Wash Systems- Parts List

# **RW116 CONTROLLER 24V OR 110V**

## **PANEL BOARD CONTROLLER STANDARD**

**-24V #45-255-00-MP**

**-110V #45-257-00-MP**

## **FOAMER BLOCK**

REF.	DESCRIPTION	PART NUMBER	QTY
18	FOAMER PANEL LOWER FOAM BLOCK BLK ANO'D	45-380-01-BK	1
19	TRIPLE FOAMER INSERT KIT	45-950-00-MP	3
20	FTG ELB BR STREET 1/2"FPT X 1/2" MPT 90Deg X115-D	90-214-07-PP	1
21	FOAMER UPPER FOAM BLOCK BLK ANO'D	45-380-02-BK	1
22	DECAL 'MACNEIL' LOGO 1-1/8" X 3-3/8"	36-000-01-PP	1
23	SHCS SS 1/4"-20 x 1"	82-704-016-SIC	6
24	FTG NIPPLE BR HEX 3/8"MNPT 122-C	90-212-04-PP	1
25	VALVE 3/8"NPT AIR SOLEND 24VAC 2/2way NC	90-131-00-PP	1
26	DIN PLUG CZ2-01 10-250V FOR 2/2WAY NO/NC	70-611-00-PP	1
27	FTG CNCTR 3/8"TBE-3/8"MNPT PC3/8-N3U	90-029-06-PP	1
28	FTG ADAPTER SWV BR F-GHT - 1/2"NPT	90-026-00-PP	1
29	WSHR GARDEN HOSE w/ SCREEN GHW-S	90-202-01-PP	1
30	FTG CNCTR BR 1/2"HSE BARB-3/4"GH 193-8	90-028-00-PP	1
31	FTG ADAPTER BR HEX 1/2"MPT-1/4"MPT MACHINED	45-255-03-MP	3
32	NIPPLE BR 1/4" MPT x 3"LG	90-216-03-PP	1
33	1/4 NPT BRASS CPLR 103-B	90-022-01-PP	1
34	CHECK VALVE 1/2" NEOPERL OV15	90-148-03-PP	3
35	FTG TEE BR FORGD 1/2" FNPT 101-D	90-009-08-PP	3
36	PUMP INJECTOR MODIFIED FOR TRIPLE FOAMER	C/W PUMP	3
37	FTG ELB 1/2" MPT X 3/8" TBE	90-228-03-PP	3



90 Welham Road, Barrie, Ontario 705-722-7649

TITLE PARTS LIST TRIPLE FOAMERS		
PART NO EPL-RW116-115-114	DWG NO EPL-RW116-115-114	REV B
DATE: JULY 2007	SHEET 5 OF 12	

# **MacNeil Wash Systems- Parts List**

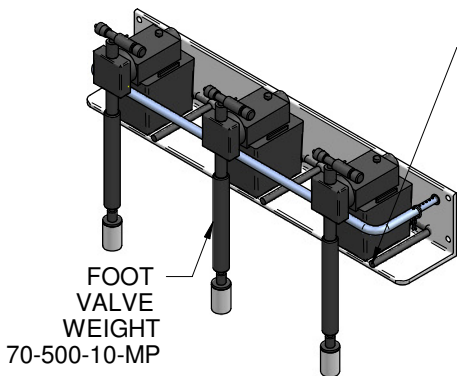
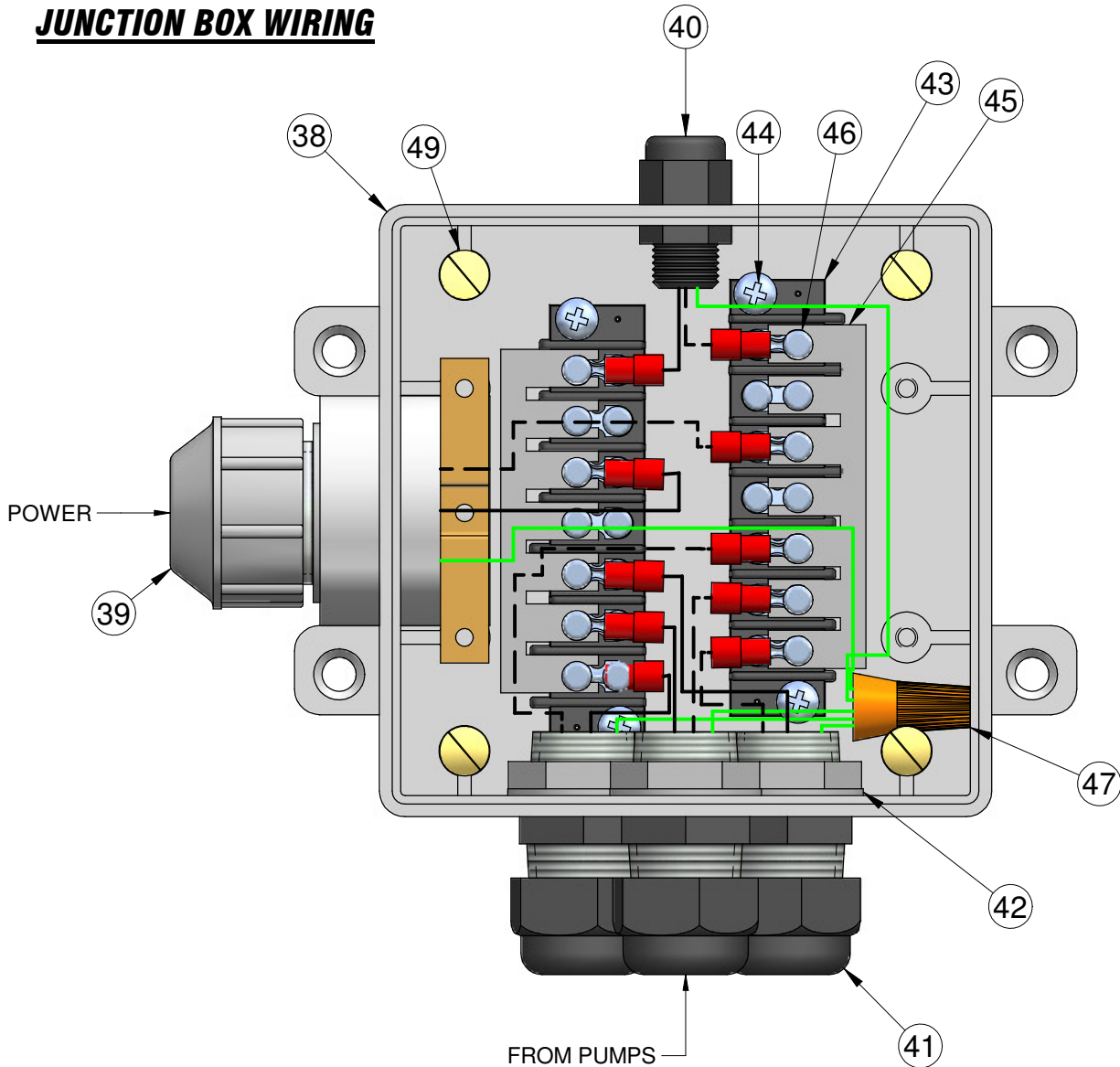
# RW116 CONTROLLER 24V OR 110V

## PANEL BOARD CONTROLLER STANDARD

-24V #45-255-00-MP

-110V #45-257-00-MP

## JUNCTION BOX WIRING



WIRE SUPPLIED  
#33-600-41-5BK X 40"  
TO JUNCTION BOX

### **PUMP OPTIONS:**

- #70-500-00-PP: JUNIOR 24V 60Hz 1.7oz/min
- #70-500-01-PP: JUNIOR 110V 60Hz 1.7oz/min
- #70-500-04-MP: STANDARD 24V 5.9oz/min
- #70-500-05-MP: STANDARD 110V 5.9oz/min
- #70-500-11-PP: CONCENTRATE 50Hz 1.4oz/min

GREEN ———

WHITE - - - - -

BLACK ———



90 Welham Road, Barrie, Ontario 705-722-7649

TITLE PARTS LIST TRIPLE FOAMERS		
PART NO EPL-RW116-115-114	DWG NO EPL-RW116-115-114	REV B
DATE: JULY 2007	SHEET 6 OF 12	

# MacNeil Wash Systems- Parts List

**RW116 CONTROLLER 24V OR 110V**  
**PANEL BOARD CONTROLLER STANDARD**  
**-24V #45-255-00-MP**  
**-110V #45-257-00-MP**  
**JUNCTION BOX WIRING**

REF.	DESCRIPTION	PART NUMBER	QTY
38	FOAMER JUNCTION BOX-MACH'D FS-2-20 c/w BUSHING	45-661-01-MP	1
39	STRAIN RELIEF KIT SRC-15 THRD-SPIGOT	70-900-00-PP	1
40	STRAIN RELIEF 1/4", c/w nut 3207	44-584-08-PP	1
41	STRAIN RELIEF LTF 1/2 3231 NPT 1/2"	90-056-08-PP	3
42	NUT BK NYLN 1/2"NPT HEYCO, 8463	84-008-000-NIN	3
43	TERMINAL STRIP CINCH 7-140	70-060-00-PP	2
44	SCRW SS PAN-HD PHL #6-32 x 3/8"	83-506-006-SNC	4
45	SHORTING BAR 300US-10 POLE	70-620-00-PP	2
46	CNCTR RING TERMINAL M3 22-16AWG FVL2216-M3	70-015-00-PP	10
47	MARRETTE ORANGE 22-14 AWG (331)	70-100-02-PP	1
48*	JUNCTION BOX CVR BRC20-2 c/w GASKET	70-201-02-PP	1
49	SCREW M6 X 3/8"	C/W 70-200-02-PP	4



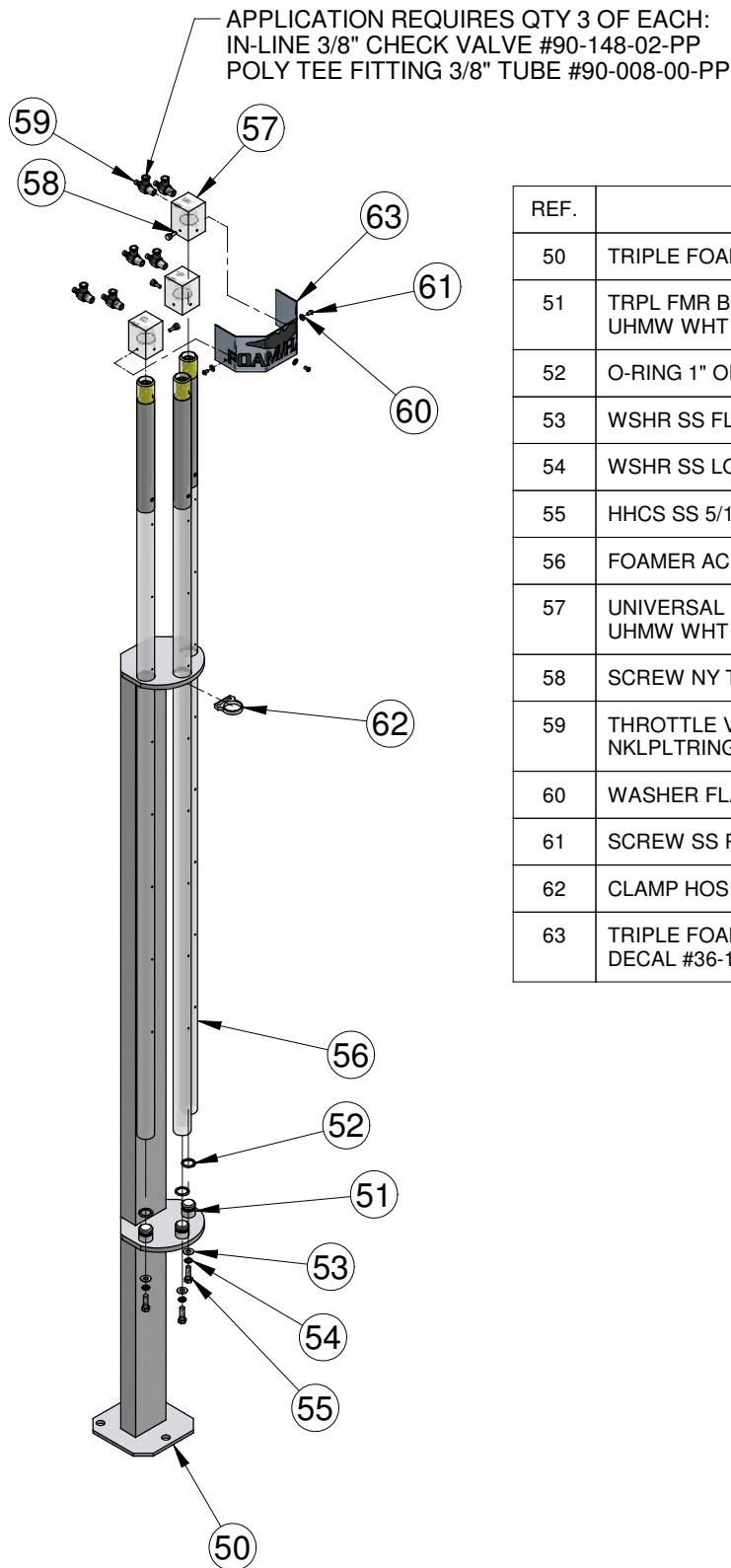
90 Welham Road, Barrie, Ontario 705-722-7649

TITLE PARTS LIST TRIPLE FOAMERS		
PART NO EPL-RW116-115-114	DWG NO EPL-RW116-115-114	REV B
DATE: JULY 2007	SHEET 7 OF 12	

**MacNeil Wash Systems- Parts List**

# RW116 STAND ALONE TRIPLE FOAMER

#45-S10-00



REF.	DESCRIPTION	PART NUMBER	QTY
50	TRIPLE FOAMER STAND SG	45-200-00-SG	1
51	TRPL FMR BOTTOM PLUG 1" Dia. X 1" LG UHMW WHT	45-310-00-PP	3
52	O-RING 1" OD x Dia 1/8" THK 568-210	90-450-03-PP	3
53	WSHR SS FLAT 5/16"	80-105-000-SI	3
54	WSHR SS LOCK 5/16"	80-905-000-SI	3
55	HHCS SS 5/16"-18 X 1"	82-505-016-SIC	3
56	FOAMER ACRYLIC TUBE ASSEMBLY	45-445-00-MP	3
57	UNIVERSAL MIXING BLOCK w/ O-RING UHMW WHT	45-420-01-PP	3
58	SCREW NY THUMB #10-24 x 1/2"	83-810-008-NNC	3
59	THROTTLE VALVE 3/8" TBE-1/4" NPT NKLPTRING	90-149-00-PP	6
60	WASHER FLAT SS #10	80-110-000-SN	3
61	SCREW SS PAN-HD PHL #10-24 x 5/16"	83-510-005-SNC	3
62	CLAMP HOSE 1-1/4" HO-28 WHITE	52-040-05-PP	1
63	TRIPLE FOAMER STD COVER SS WITH DECAL #36-116-01-PP	45-400-00-PP W/ DECAL	1

## MacNeil Wash Systems- Parts List



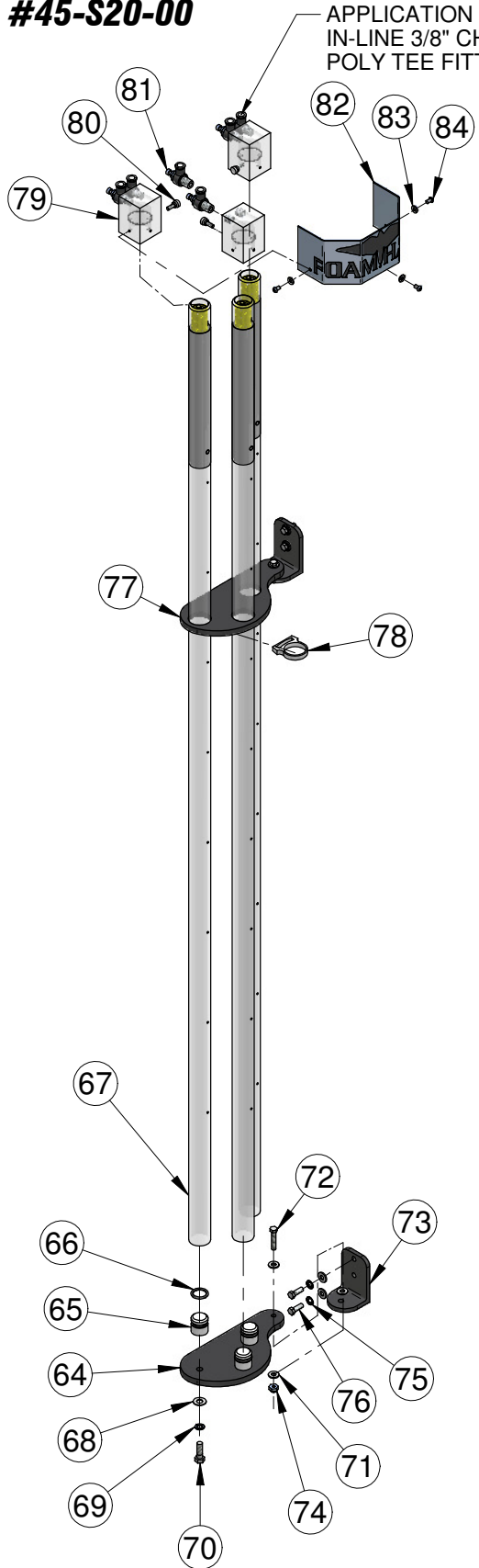
90 Welham Road, Barrie, Ontario 705-722-7649

TITLE PARTS LIST TRIPLE FOAMERS		
PART NO EPL-RW116-115-114	DWG NO EPL-RW116-115-114	REV B
DATE: JULY 2007	SHEET 8 OF 12	



# RW116 BRACKET MOUNTED TRIPLE FOAMER

#45-S20-00



APPLICATION REQUIRES QTY 3 OF EACH:  
 IN-LINE 3/8" CHECK VALVE #90-148-02-PP  
 POLY TEE FITTING 3/8" TUBE #90-008-00-PP

REF.	DESCRIPTION	PART NUMBER	QTY
64	FOAMER TUBE BOTTOM MOUNTING BRACKET AL BLK	45-307-00-BK	1
65	TRPL FMR BOTTOM PLUG 1" Dia. X 1" LG UHMW WHT	45-310-00-PP	3
66	O-RING 1" OD x Dia 1/8" THK 568-210	90-450-03-PP	3
67	FOAMER ACRYLIC TUBE ASSEMBLY	45-445-00-MP	3
68	WSHR SS FLAT 5/16"	80-105-000-SI	3
69	WSHR SS LOCK 5/16"	80-905-000-SI	3
70	HHCS SS 5/16"-18 X 1"	82-505-016-SIC	3
71	WASHER SS FLAT 1/4" (0.056"/0.063" THK)	80-104-000-SI	10
72	HHCS SS 1/4"-20 x 1-1/4"	82-504-020-SIC	2
73	FOAMER BRACKET MOUNTING ANGLE AL BLK	45-306-00-BK	2
74	NUT SS NYLOCK 1/4"-20	85-004-000-SIC	2
75	WASHER SS LOCK 1/4"	80-904-000-SI	4
76	HHCS SS 1/4"-20 x 3/4"	82-504-012-SIC	4
77	FOAMER TUBE TOP MOUNTING BRACKET AL BLK	45-305-00-BK	1
78	CLAMP HOSE 1-1/4" HO-28 WHITE	52-040-05-PP	1
79	UNIVERSAL MIXING BLOCK w/ O-RING UHMW WHT	45-420-01-PP	3
80	SCREW NY THUMB #10-24 x 1/2"	83-810-008-NNC	3
81	THROTTLE VALVE 3/8" TBE-1/4" NPT NKLPLTRING	90-149-00-PP	6
82	TRIPLE FOAMER STD COVER SS WITH DECAL #36-116-01-PP	45-400-00-PP W/ DECAL	1
83	WASHER FLAT SS #10	80-110-000-SN	3
84	SCREW SS PAN-HD PHL #10-24 x 5/16"	83-510-005-SNC	3



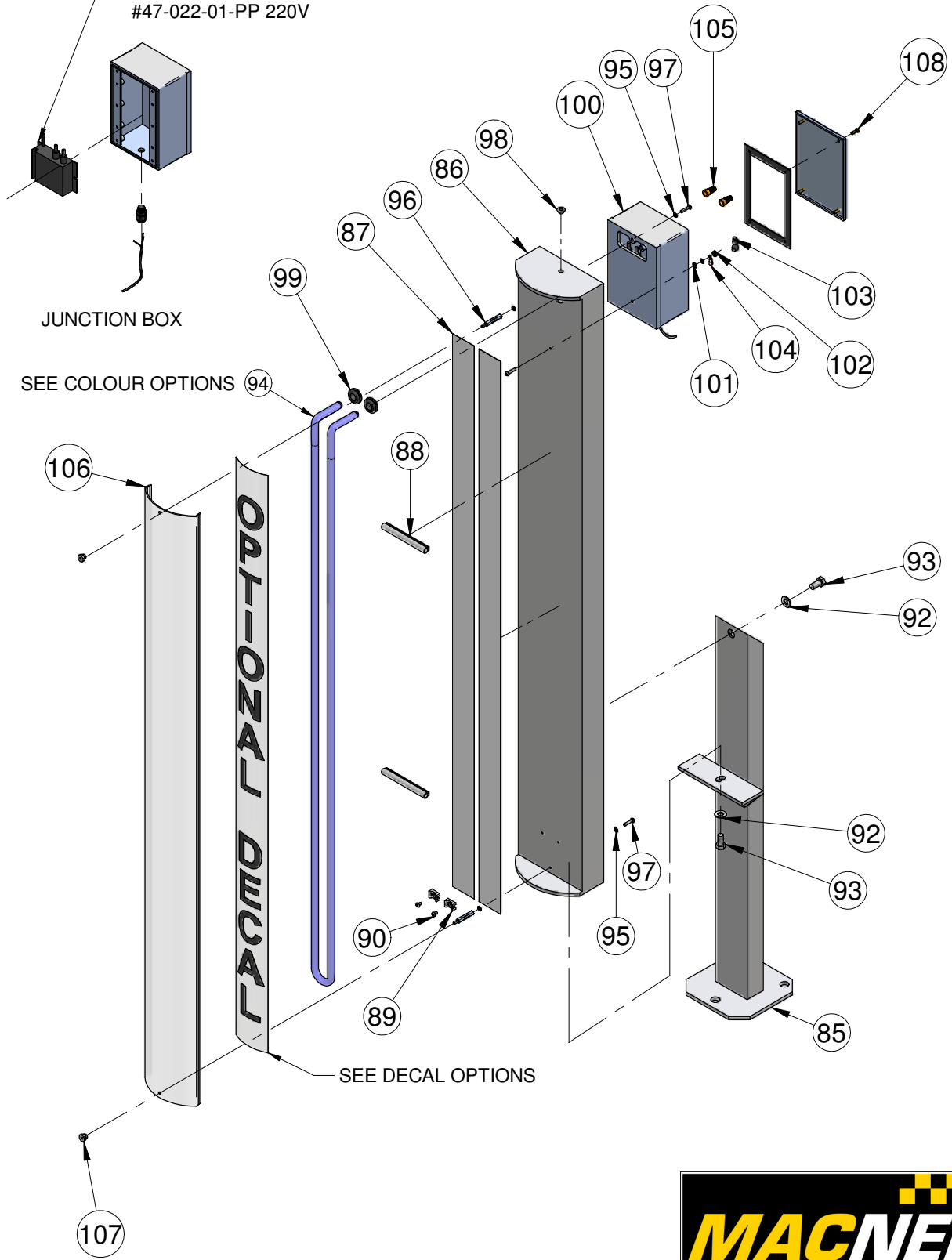
90 Welham Road, Barrie, Ontario 705-722-7649  
 TITLE PARTS LIST TRIPLE FOAMERS  
 PART NO EPL-RW116-115-114 DWG NO EPL-RW116-115-114 REV B  
 DATE: JULY 2007 SHEET 9 OF 12

## MacNeil Wash Systems- Parts List

# RW115 NEON SIGN

#47-S \_ \_ \_ \_

TRANSFORMER OPTIONS:  
 #47-022-00-PP 110V  
 #47-022-01-PP 220V



90 Welham Road, Barrie, Ontario 705-722-7649

TITLE PARTS LIST TRIPLE FOAMERS		
PART NO EPL-RW116-115-114	DWG NO EPL-RW116-115-114	REV B
DATE: JULY 2007	SHEET 10 OF 12	

## MacNeil Wash Systems- Parts List

# RW115 NEON SIGN

#47-S \_ \_ \_

REF.	DESCRIPTION	PART NUMBER	QTY
85	NEON SIGN STAND S/G	47-001-00-SG	1
86	NEON SIGN HOUSING S/G	47-000-00-SG	1
87	NEON SIGN FOIL TAPE 2" X 45"	33-950-03-2P X 45"	2
88	BULB SEAL SOLID PROFILE CUT 4"LG	47-020-00-MP	2
89	CRADLE MOUNT NYLON CM8	70-150-01-PP	2
90	SCREW PHL PAN-HD SS #8-32 x 1/4"	83-508-004-SNC	2
91*	ZIP TIE WHITE 4"LG	44-561-14-PP	2
92	WASHER FLAT 3/8" SS	80-106-000-SI	2
93	HHCS SS 3/8"-16 X 3/4"	82-506-012-SIC	2
94	NEON TUBE, 46" x 2" (BLUE)	47-010-02-PP	1
95	WASHER SS LOCK #8 INTRNL TOOTH W-2016	81-008-000-SN	5
96	BRASS STANDOFF 8-32 x 1-3/8"	44-102-03-PP	2
97	SCREW PHL PAN-HD SS #8-32 x 3/4"	83-508-012-SNC	3
98	PLUG PUSH PIPE PLASTIC 3/8" Caplug	90-054-10-PP	1
99	GROMMET, RUBBER RB-240 BLACK	47-021-00-PP	2
100	JUNCTION BOX FOR NEON SIGN	47-S _ _ _-SHT3	1
101	FLAT WASHER SS #8	80-108-000-SN	1
102	NUT #8-32	84-008-000-SNC	1
103	#30 BLACK MARRETTE	70-100-00-PP	2
104	CNCTR RING TERMINAL 1/4" 16-14AWG RED	70-015-03-PP	1
105	MARRETTE ORANGE 22-14 AWG (331)	70-100-02-PP	2
106	DECAL APPLICATION FOR NEON SIGN	47-S _ _ _-SHT2	1
107	NUT NY THUMB #8-32	84-508-000-NNC	2
108	JUNCTION BOX CVR BRC20-3, C/W GASKET & HDWR	70-201-01-PP	1

**NEON SIGN DECAL OPTIONS & PART NUMBERS:**

- #36-115-01-PP 'TRIPLE FOAM' X 35"LG REF.
- #36-115-02-PP 'TRIPLE SHINE' X 40" LG REF.
- #36-115-03-PP 'CLEAR COAT' X 35"LG REF.
- #36-115-04-PP 'UNDERCHASSIS' X 40" LG REF.
- #36-115-05-PP 'SEALER WAX' X 35" LG REF.
- #36-115-06-PP ' POLISH WAX' X 35"LG REF.
- #36-115-07-PP 'FOAM BATH' X 30"LG REF.
- #36-115-08-PP 'BODY WASH' X 30"LG REF.
- #36-115-09-PP 'RUST INHIBITOR' X 45"LG REF.
- #36-115-10-PP 'PRE SOAK' X 25"LG REF.
- #36-115-11-PP 'SPOT FREE RINSE' X 45"LG REF.
- #36-115-12-PP 'TURTLE WAX' X 35"LG REF.
- #36-115-13-PP 'WHEEL BRITE' X 45"LG REF.
- #36-115-14-PP 'FINAL RINSE' X 35"LG REF.
- #36-115-15-PP 'TRIPLE FOAM WAX' X 45"LG REF.
- #36-115-99-PP DECAL WITH OPTIONAL TEXT

**NEON TUBE OPTIONS & PART NUMBERS:**

- #47-010-00-PP WHITE
- #47-010-01-PP RED
- #47-010-02-PP BLUE
- #47-010-03-PP GREEN
- #47-010-04-PP PURPLE
- #47-010-05-PP YELLOW



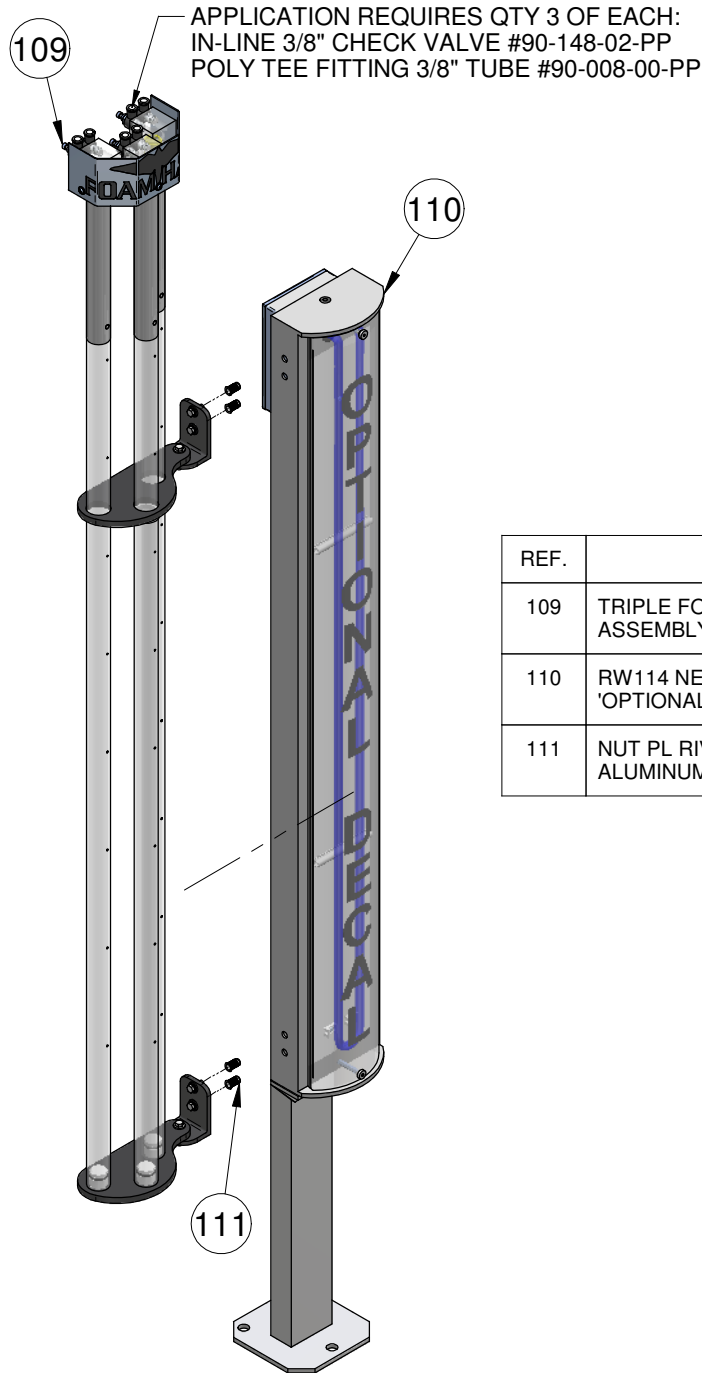
90 Welham Road, Barrie, Ontario 705-722-7649

TITLE PARTS LIST TRIPLE FOAMERS		
PART NO EPL-RW116-115-114	DWG NO EPL-RW116-115-114	REV B
DATE: JULY 2007		SHEET 11 OF 12

## MacNeil Wash Systems- Parts List

# RW114 TRIPLE FOAMER WITH NEON SIGN

#57-S \_ \_ \_ \_ \_



REF.	DESCRIPTION	PART NUMBER	QTY
109	TRIPLE FOAMER BRACKET MOUNT ASSEMBLY	45-S20-00	1
110	RW114 NEON SIGN w/TUBE, DECAL 'OPTIONAL'	47-S**-** FOR RW114	1
111	NUT PL RIVET OPEN END 1/4"-20 ALUMINUM	85-904-000-AIC	4



90 Welham Road, Barrie, Ontario 705-722-7649

TITLE PARTS LIST TRIPLE FOAMERS		
PART NO EPL-RW116-115-114	DWG NO EPL-RW116-115-114	REV B
DATE: JULY 2007	SHEET 12 OF 12	