



**RW111 WITH DOUBLE K-STYLE PRE-SOAK**  
**DOCUMENT #EPL-46-R20-00-000-00**

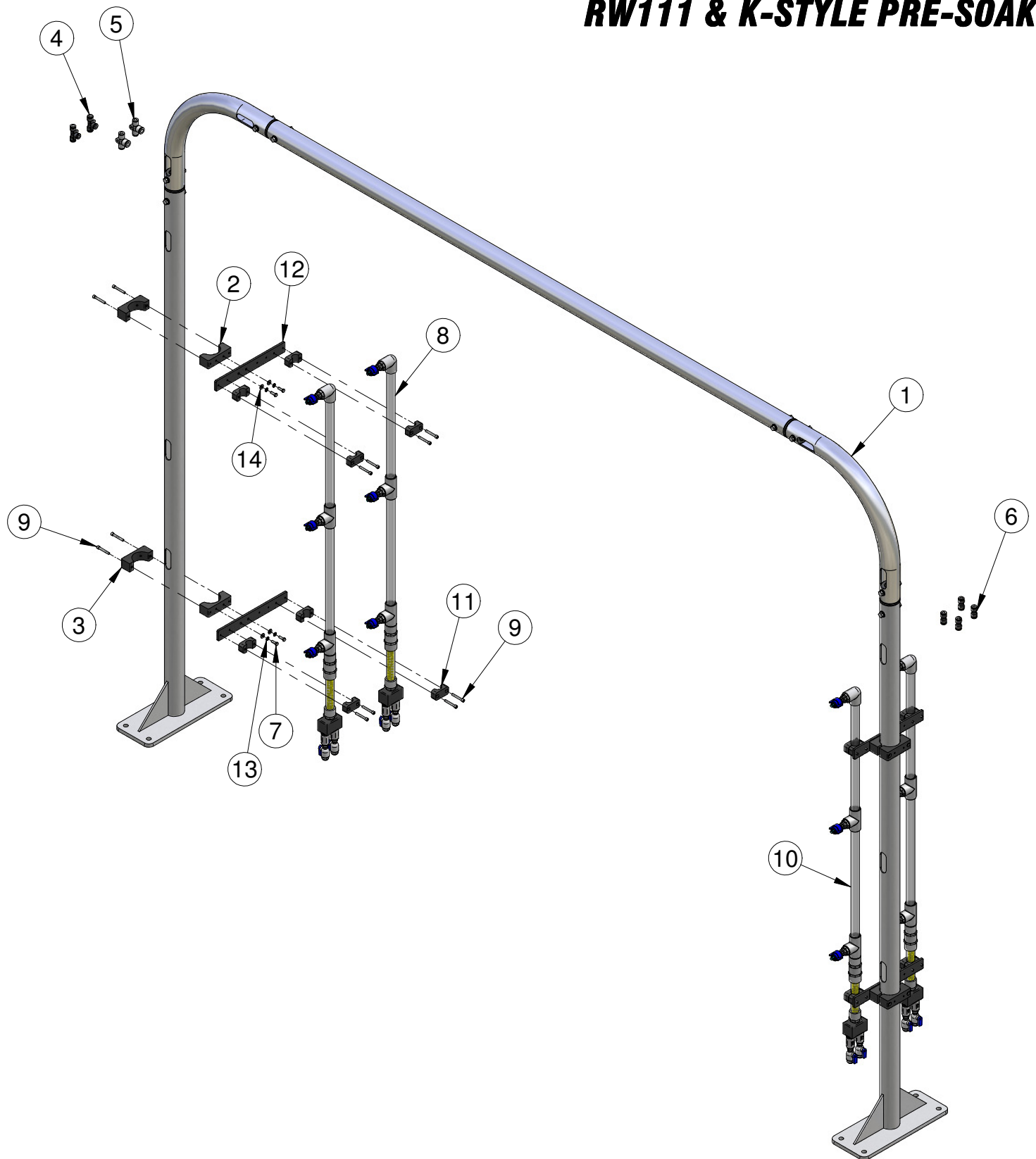


90 Welham Road, Barrie, Ontario 705-722-7649

TITLE RW111 & K-STYLE PRE-SOAK		
PART NO 46-R20-00-000-00	DWG NO EPL-46-R20-00-000-00	REV A
DATE: APRIL 26, 2006		SHEET 1 OF 3

**MacNeil Wash Systems- Parts List**

# RW111 & K-STYLE PRE-SOAK



90 Welham Road, Barrie, Ontario 705-722-7649

TITLE RW111 & K-STYLE PRE-SOAK		
PART NO EPL-46-R20-00-000-00	DWG NO EPL-46-R20-00-000-00	REV A
DATE: APRIL 26, 2006	SHEET 2 OF 3	

## MacNeil Wash Systems- Parts List

# RW111 & K-STYLE PRE-SOAK

REF.	DESCRIPTION	PART NUMBER	QTY.
1	PLUMBING ARCH ASS'Y	46-R00-00-00	1
2	CLAMP PRE-SOAK ARCH	46-500-50-BK	4
3	CLAMP THREADED PRE-SOAK ARCH	46-500-51-BK	4
4	FTG TEE 3/8" TBE PE-3/8	90-008-00-PP	2
5	FTG TEE 1/2" X 3/8" X 3/8" TBE	90-234-07-PP	2
6	UNION STRAIGHT 3/8 TBE	90-071-06-PP	4
7	HHCS SS 1/4"-20 x 3/4"	82-504-012-SIC	8
8	K PRE-SOAK MANIFOLD	45-803-01-PP	2
9	SHCS SS 1/4"-20 x 1-3/4"	82-704-028-SIC	24
10	K PRE-SOAK MANIFOLD	45-803-01-PP	2
11	HOSE BLOCK 3/4P SNGL (2 HALVES) BLACK	90-157-00-PP	8
12	PRESOAK TRIPLE MOUNTING PLATE BLK	46-500-54-BK	4
13	WASHER SS LOCK 1/4"	80-904-000-SI	8
14	WSHR SS FLAT SAE 1/4"	80-204-000-SI	8



90 Welham Road, Barrie, Ontario 705-722-7649

TITLE RW111 & K-STYLE PRE-SOAK		
PART NO EPL-46-R20-00-000-00	DWG NO EPL-46-R20-00-000-00	REV A
DATE: APRIL 26, 2006	SHEET 3 OF 3	

## MacNeil Wash Systems- Parts List