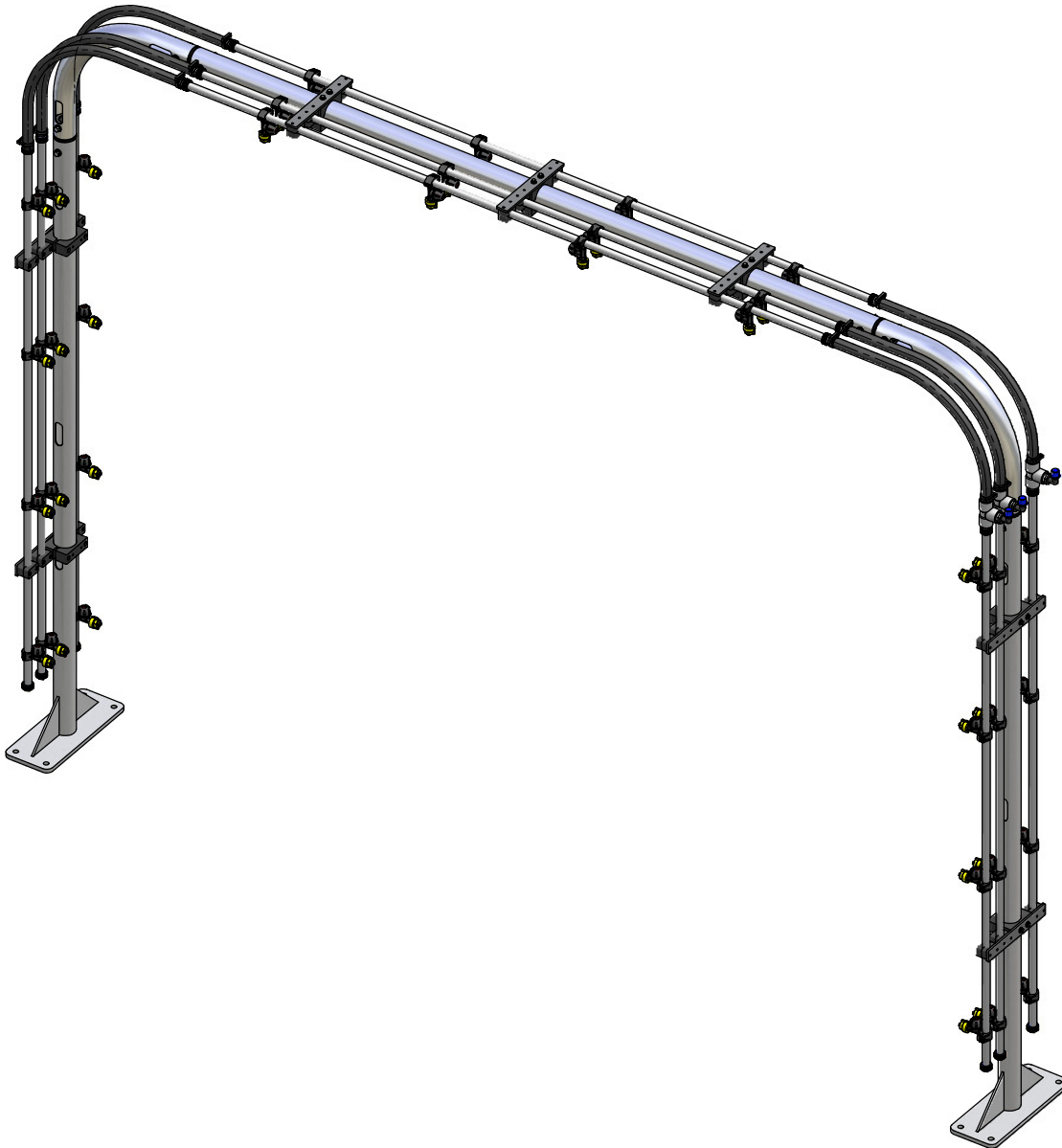




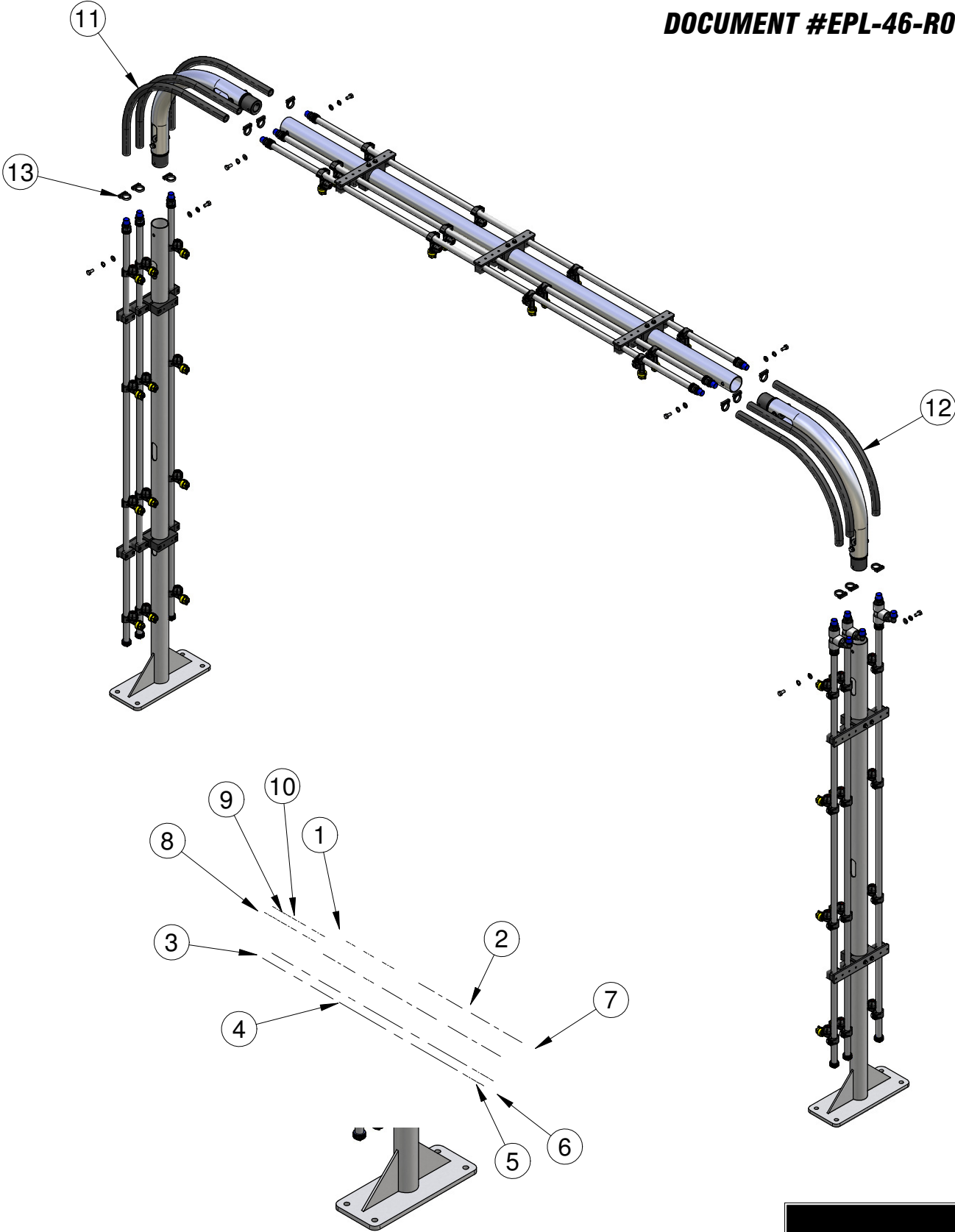
RW113 & RW111 RINSE ARCH WITH MANIFOLDS
DOCUMENT #EPL-46-R00-30-000-00



90 Welham Road, Barrie, Ontario 705-722-7649

TITLE RW113 MOUNTED ON RW111		
PART NO EPL-46-R00-30-000-00	DWG NO EPL-46-R00-30-000-00	REV A
DATE: MAY 31, 2006	SHEET 1 OF 6	

MacNeil Wash Systems- Parts List

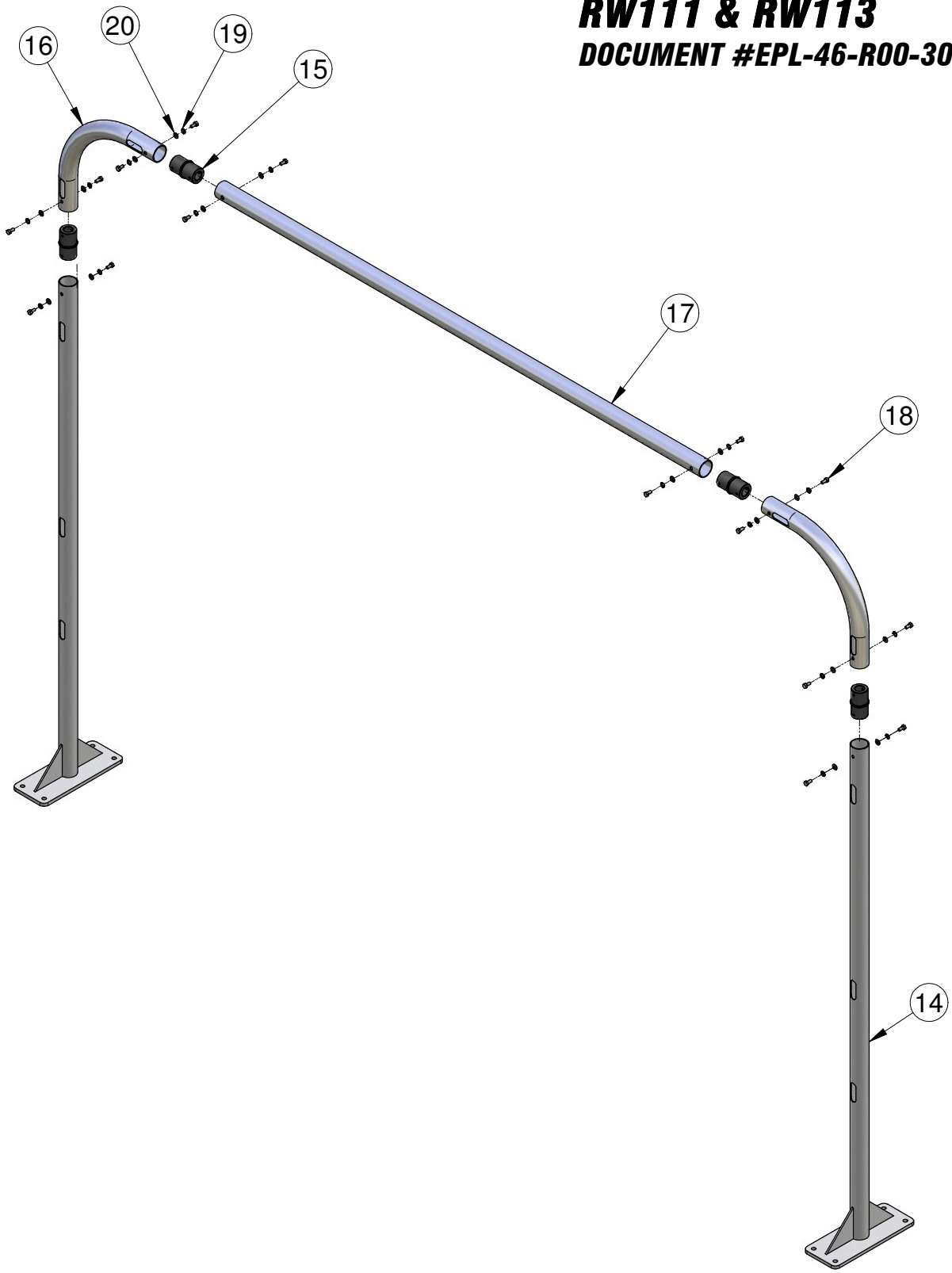


90 Welham Road, Barrie, Ontario 705-722-7649

TITLE RW113 MOUNTED ON RW111		
PART NO EPL-46-R00-30-000-00	DWG NO EPL-46-R00-30-000-00	REV A
DATE: MAY 29, 2006	SHEET 2 OF 6	

MacNeil Wash Systems- Parts List

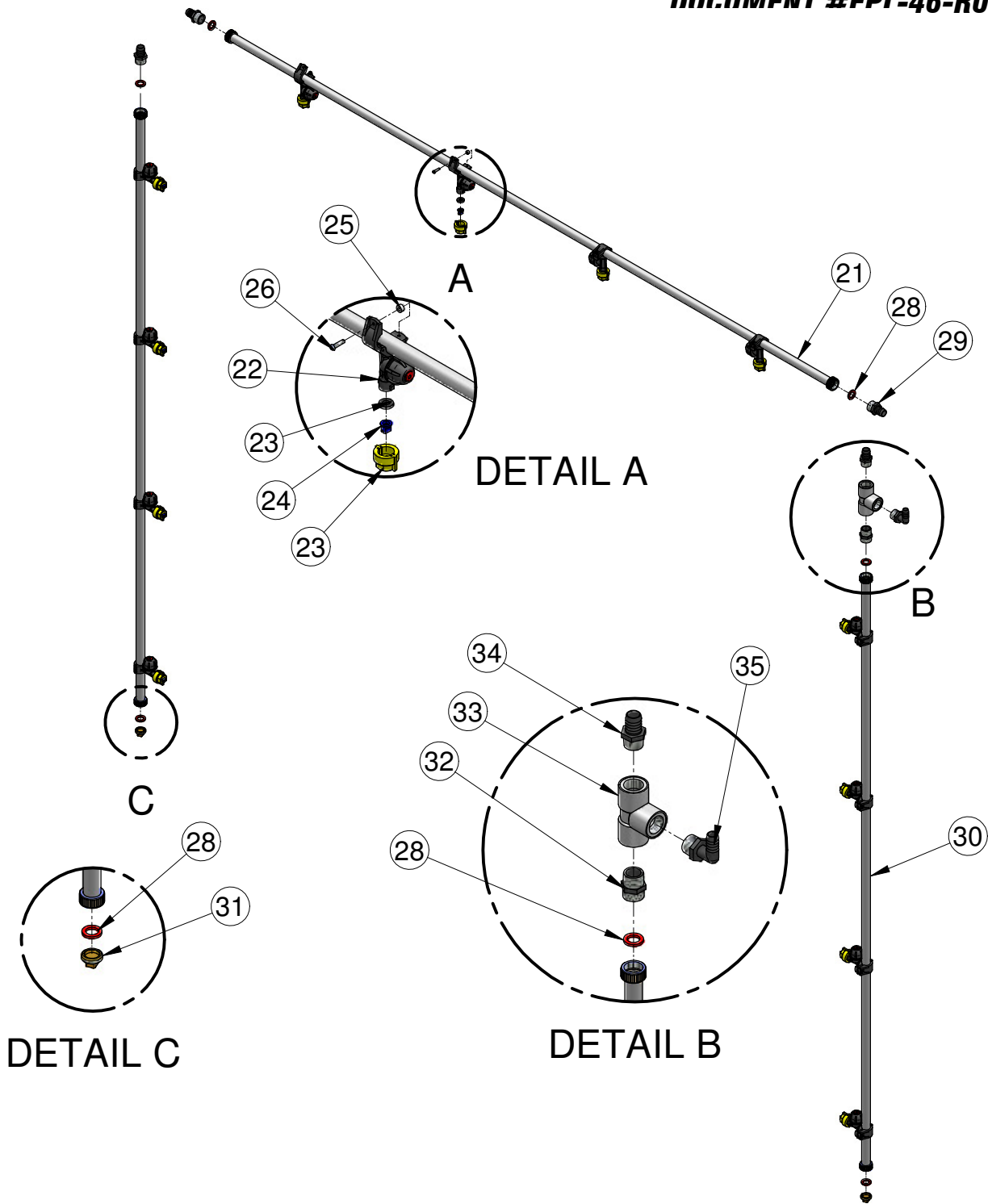
RW111 & RW113
DOCUMENT #EPL-46-R00-30-000-00



90 Welham Road, Barrie, Ontario 705-722-7649

TITLE RW113 MOUNTED ON RW111		
PART NO EPL-46-R00-30-000-00	DWG NO EPL-46-R00-30-000-00	REV A
DATE: MAY 29, 2006	SHEET 3 OF 6	

MacNeil Wash Systems- Parts List



90 Welham Road, Barrie, Ontario 705-722-7649

TITLE RW113 MOUNTED ON RW111		
PART NO EPL-46-R00-30-000-00	DWG NO EPL-46-R00-30-000-00	REV A
DATE: MAY 29, 2006	SHEET 4 OF 6	

MacNeil Wash Systems- Parts List

RW111 & RW113
DOCUMENT #EPL-46-R00-30-000-00

REF.	DESCRIPTION	PART NUMBER	QTY.
1*	CLAMP PRE-SOAK ARCH	46-500-50-BK	7
2*	CLAMP THREADED PRE-SOAK ARCH	46-500-51-BK	7
3*	TRIPLE MOUNTING PLATE BK	46-500-53-BK	7
4*	HOSE BLCK SNGL CSHN PAIR 1/2"PIPE	90-153-01-PP	21
5*	WSHR SS FLAT SMALL-OD 1/4"	80-304-000-SI	42
6*	SHCS SS 1/4"-20 x 1-1/2"	82-704-024-SIC	42
7*	SHCS SS 1/4"-20 x 1-3/4"	82-704-028-SIC	14
8*	HHCS SS 1/4"-20 x 3/4"	82-504-012-SIC	14
9*	WASHER SS LOCK 1/4"	80-904-000-SI	14
10*	WSHR SS FLAT SAE 1/4"	80-204-000-SI	14
11	HOSE PVC IMPERIAL 3/4" GRAY HAW 32"	33-041-81-2GY	3
12	HOSE PVC IMPERIAL 3/4" GRAY HAW 28 1/2"	33-041-81-2GY	3
13	CLAMP HOSE 1"-1.125" HO-24 BLACK	52-040-00-PP	12

REF.	DESCRIPTION	PART NUMBER	QTY.
14	VERTICAL POST	46-500-10-SG	2
15	TUBE CONNECTOR	46-500-40-BK	4
16	CORNER ELBOW	46-500-20-SG	2
17	TOP BEAM	46-500-30-SG	1
18	HHCS SS 3/8"-16 X 3/4"	82-506-012-SIC	16
19	LOCK WASHER 3/8" SS	80-906-000-SI	16
20	WASHER FLAT 3/8" SS	80-106-000-SI	16

MacNeil Wash Systems- Parts List



90 Welham Road, Barrie, Ontario 705-722-7649

TITLE RW113 MOUNTED ON RW111		
PART NO EPL-46-R00-30-000-00	DWG NO EPL-46-R00-30-000-00	REV A
DATE: MAY 29, 2006	SHEET 5 OF 6	

Quantities shown for one manifold assembly

REF.	DESCRIPTION	PART NUMBER	QTY.
21	84" WATER MANIFOLD SUBASS'Y	46-200-00-MP	1
22	NOZL ANTIDRIP BODY 1/2" 402745	10-200-01-PP	12
23	NOZZLE CAP & GASKET YLW	10-200-02-PP	12
■ 24	NOZL TIP BLUE PLSTC 10F80CB	10-250-02-PP	12
25	SPACER NY 3/8 DIA 3/16"L #10 SP163	89-003-01-PP	12
26	SCREW PHL PAN-HD SS #10-24 x 3/4"	83-510-012-SNC	12
27*	NOZL BODY O RING	10-200-03-PP	12
28	WSHR GARDEN HOSE GHW-RED	90-202-00-PP	6
29	FTG ADPTR BKPLY 3/4"HB-3/4"GHT 3D34	52-523-00-PP	3
30	71" WATER MANFLD SUBASS'Y	42-651-00-MP	2
31	FTG PLUG 3/4"GHT 206-WP	90-063-00-PP	2
32	FTG ADPTR BKPLY 3/4"NPT-3/4"GHT 3E34	52-524-00-PP	1
33	FTG TEE 3/4"PVC SCH80 IPEX only THD	90-231-08-PP	1
34	FTG ADPTR BKPLY 3/4"NPT-3/4"HSBRB 3A34	10-100-04-PP	1
35	FTG ELB BKPLY HB-3/4"MNPT 90Deg 3EL34	52-520-02-PP	1

- ITEM #24 - NOZZLE TIP 10-250-02-PP - USED ON FINAL RINSE
 USE NOZZLE # 10-250-01-PP FOR DRYING AGENT OR SEALER WAX



90 Welham Road, Barrie, Ontario 705-722-7649		
TITLE RW113 MOUNTED ON RW111		
PART NO EPL-46-R00-30-000-00	DWG NO EPL-46-R00-30-000-00	REV A
DATE: MAY 29, 2006	SHEET 6 OF 6	

MacNeil Wash Systems- Parts List