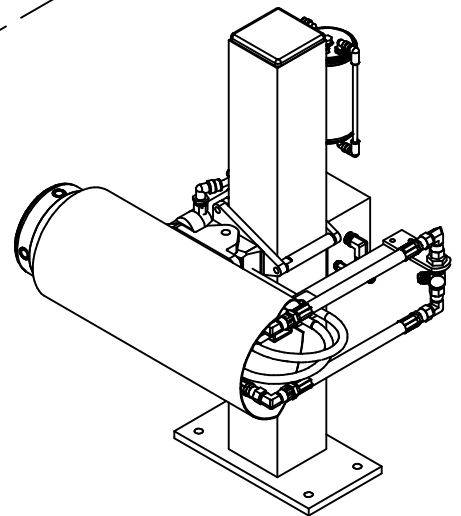
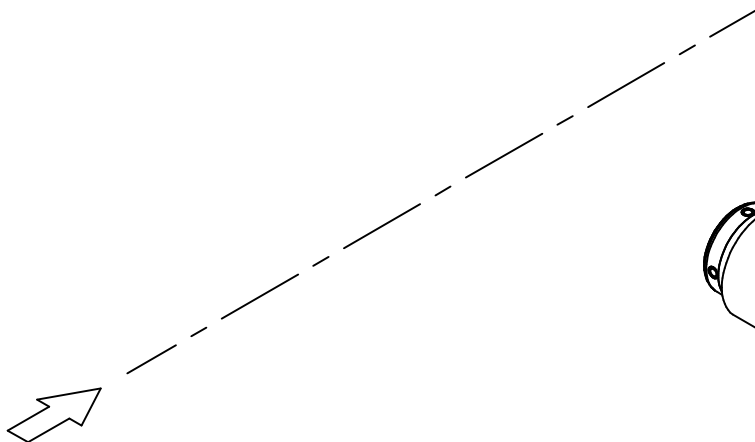
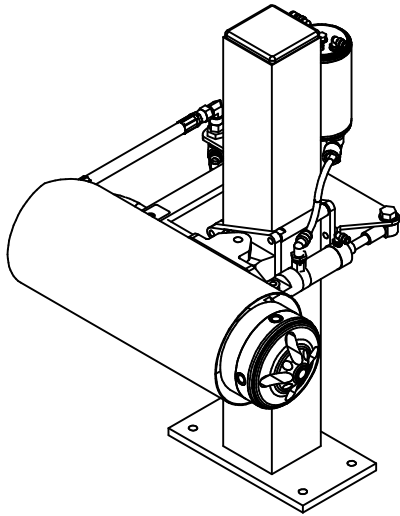
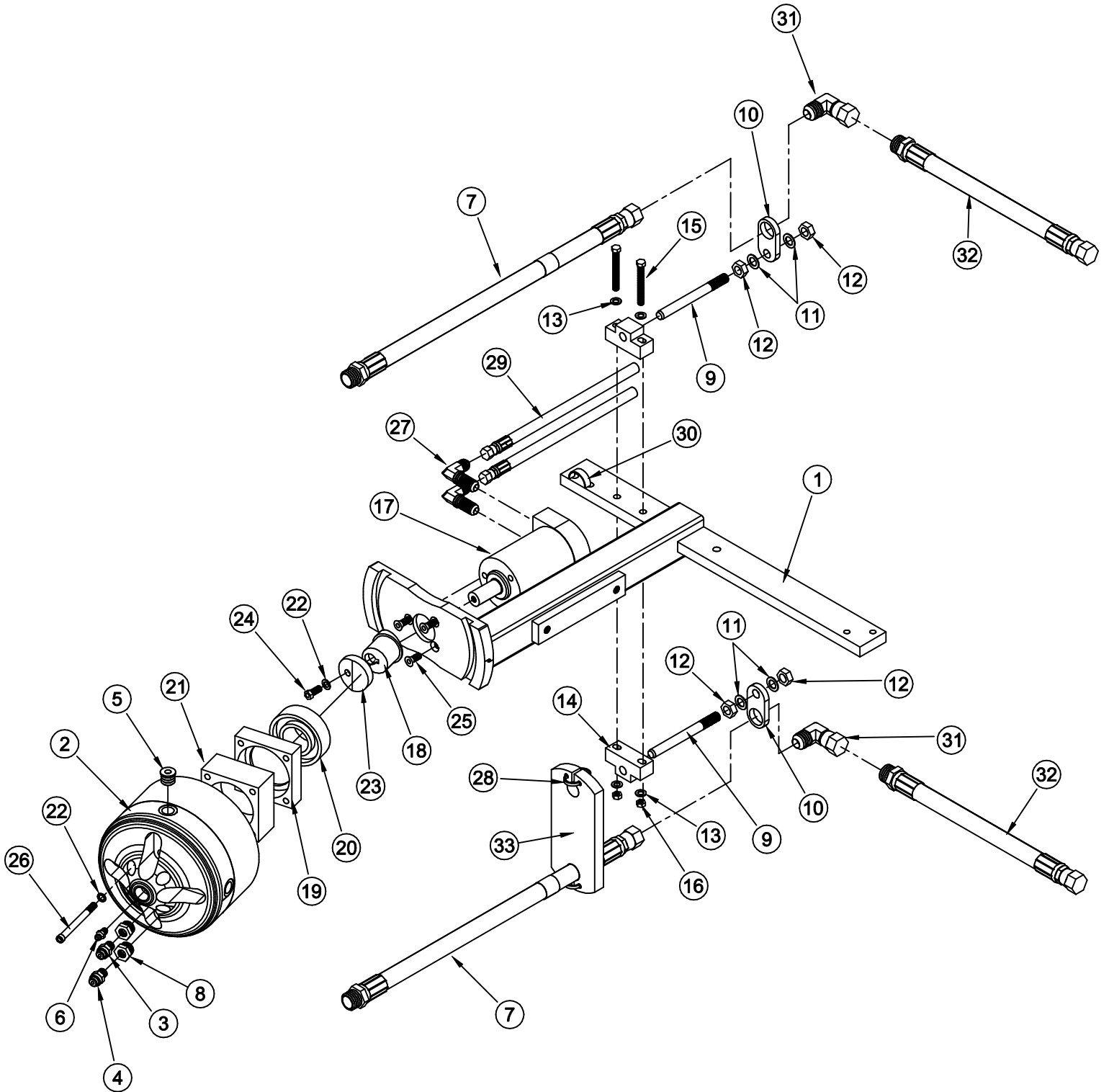
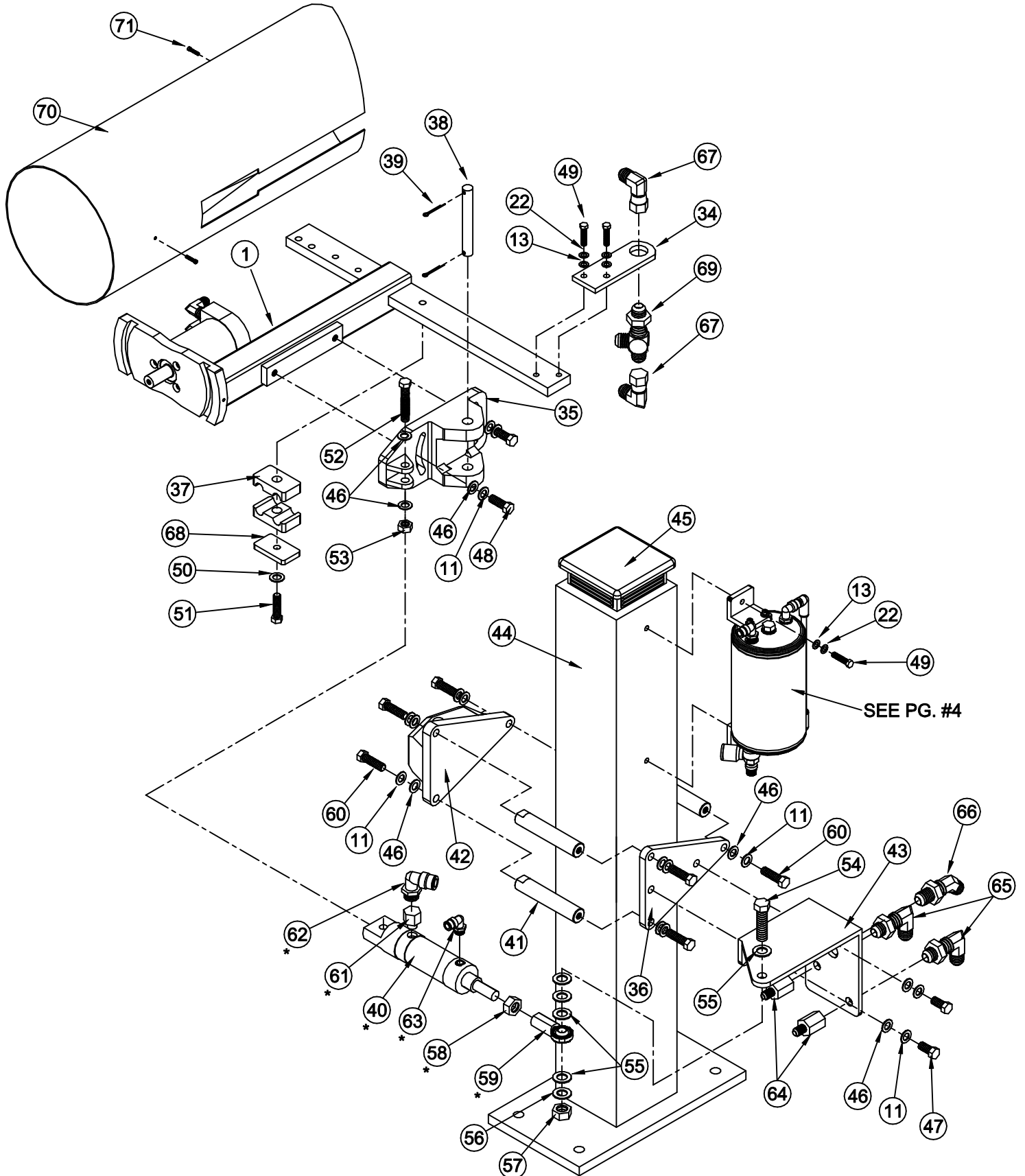
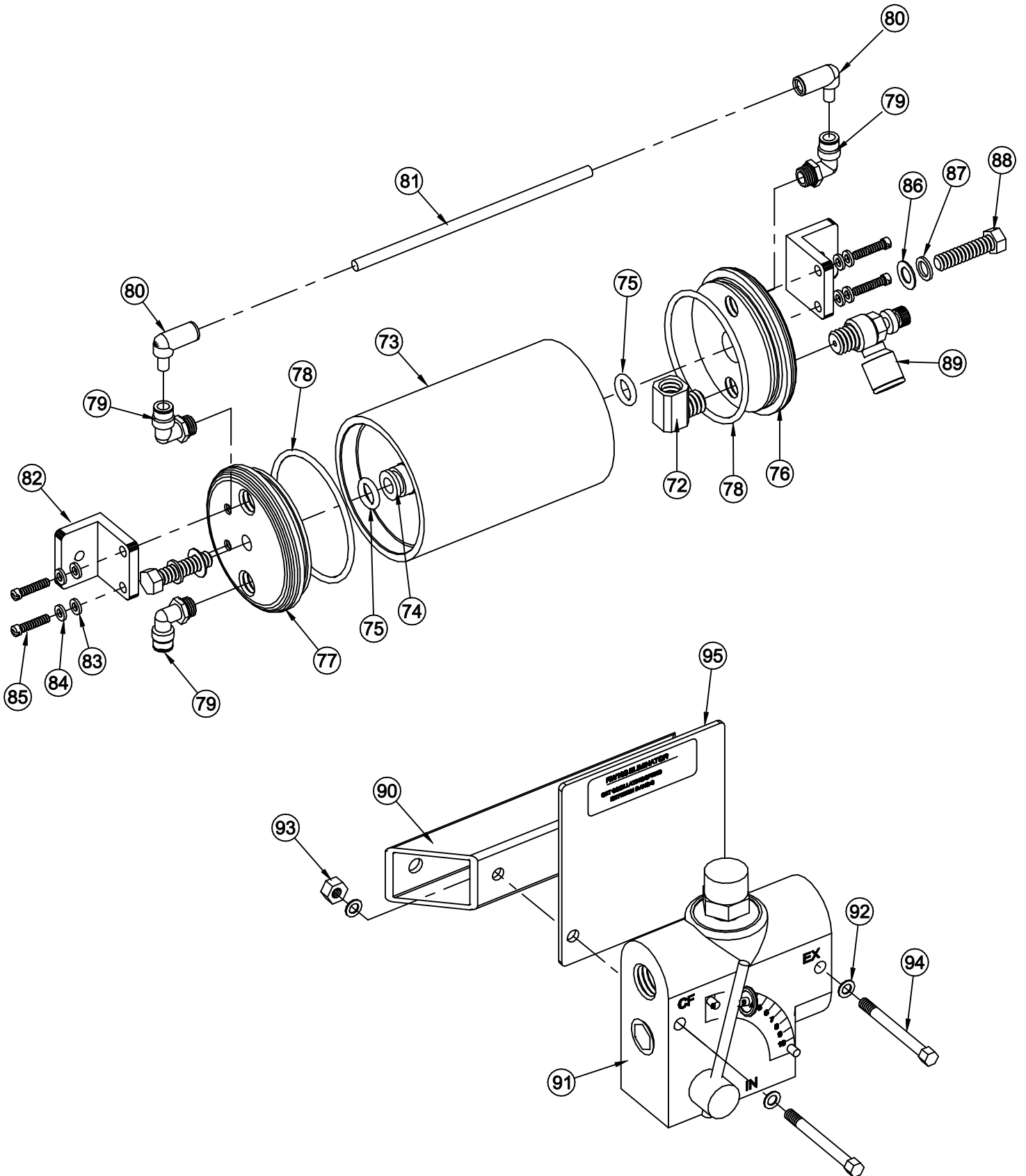


PARTS LIST # EPL-RW103
PARTS LIST APPLIES AFTER SERIAL # 600009









RW-103, RW-103FF

ELIMINATOR

JAN. 2004

PAGE #5

Item no.	Req'd	Description	Part no.	Remarks
1	2	Spray Head Frame Assembly	15-000-00-BK	
2	2	Spray Head Assembly	13-020-00-MP	
3	8	Spray Nozzle #3	10-275-00-PP	
4	8	Spray Head Nozzle #4	10-275-01-PP	
5	4	Hydraulic Adapter-O-Ring Plug	95-320-03-PP	
6	2	Grease Fitting 1/4"-28 Straight	44-133-02-PP	
7	4	Hydraulic Hose Ass'y 3/8" I.D.x14"	95-613-00-MP	
8	8	Bushing 9/16-18 UNF x 1/8 NPT	90-030-03-PP	
9	4	Hydraulic Hose Guide Pin	13-121-00-MP	
10	4	Hydraulic Hose Guide Pin Holder	13-120-00-MP	
11	24	3/8" Lock Washer, S.S.	80-906-000-SI	
12	8	3/8"-16 Hex Nut S.S.	84-006-000-SIC	
13	12	1/4" Flat Washer	80-104-000-SI	
14	4	Hydraulic Hose Guide Bearing Block	13-130-00-MP	
15	4	HHCS 1/4-20x2" S.S.	82-504-032-SIC	
16	4	1/4-20 Nylock Hex Nut	85-004-000-SIC	
17	2	Hydraulic Motor -J- Series	95-100-06-PP	
18	2	15 Degree Throw Bushing	13-030-00-PP	
19	2	Head Bearing Ring	13-100-00-MP	
20	2	Ball Bearing (RAE30NPPNR, INA)	90-195-00-PP	
21	2	Head Bearing Pressure Ring	13-101-00-MP	
22	18	1/4" Lock Washer	80-904-000-SI	
23	2	Throw Bushing Pressure Plate	13-031-00-MP	
24	2	HHCS 1/4-28 x 1"PL.	82-504-016-ZIF	
25	6	1/4-28 x 3/4" FL.H. Machine Screw	83-304-012-SIF	
26	8	SHCS 1/4-20 x 3" S.S.	82-704-048-SIC	
27	4	Hydraulic Adapter-O-Ring/37 Elbow	95-315-04-PP	
28	4	8" Black Tie Strap	90-180-08-PP	
29	4	Hydraulic Hose Ass'y 1/4" ID x 53 1/2" O/A	95-626-00-PP	
30	2	Cable Tie Heavy Duty #11	90-181-11-PP	
31	4	Bulkhead Elbow 2043-8-8S	95-310-03-PP	
32	4	Hydraulic Hose Ass'y	95-610-00-PP	
33	2	Rubber Spacer	15-020-06-PP	
34	2	Supply Plate	15-000-07-BK	
35	2	Pivot Plate & Cylinder Mount	15-021-00-MP	

RW-103, RW-103FF ELIMINATOR

**DEC. 2001
PAGE #6**

Item no.	Req'd	Description	Part no.	Remarks
36	2	Beam Clamp Plate	15-000-08-BK	
37	2	Hose Block Double	90-152-00-PP	
38	2	Pivot Pin	15-000-09-MP	
39	4	Cotter Pin 1/8"x1"	86-002-016-SI	
40a	2	Air Cylinder (5-DP-2)	90-100-11-PP	*
40b	2	Spacer Bar	15-260-01-BK	
41	6	Beam Clamp Spacer	15-000-10-BK	
42	2	Beam Clamp Pivot Plate	15-020-02-MP	
43a	2	Cylinder Mount Bulkhead D/S	15-022-00-BK	
43b	2	Cylinder Mount Bulkhead P/S	15-023-00-BK	
44	2	Post Ass'y	15-200-00-SG	
45	2	End Cap	65-350-00-MP	
46	24	3/8" FL. Washer S.S.	80-106-000-SI	
47	4	HHCS 3/8-16x3/4" S.S.	82-506-012-SIC	
48	4	HHCS 3/8-16x1" S.S.	82-506-016-SIC	
49	8	HHCS 1/4-20x1" S.S.	82-504-016-SIC	
50	2	Flat Washer 5/16" Dia.	80-105-000-SI	
51	2	HHCS S.S. 5/16-18x11-3/4"	82-505-028-SIC	
52	2	HHCS 3/8-16x2" S.S.	82-506-032-SIC	
53	2	Hex Nut 3/8-16 S.S. Nylock	85-006-000-SIC	
54	2	HHCS 7/16-20x1-3/4"	82-507-028-SIF	
55	10	SAE Flat Washer 7/16" S.S.	80-207-000-SI	
56	2	Lock Washer 7/16" ID S.S.	80-907-000-SI	
57	2	Hex Nut 7/16-20 SS	84-007-000-SIF	
58	2	Jam Nut 7/16-20	84-107-000-SIF	*
59	2	Cylinder Rod End 7/16" Female	90-151-04-PP	*
60	12	HHCS 3/8-16x1 1/4" S.S.	82-506-020-SIC	
61	2	FTG Adapter 1/4 NPT-1/8 NPT	90-031-00-PP	*
62	2	Fitting Elbow Swv 3/8TBE - 1/4NPT	90-255-07-PP	*
63	2	Fitting Elbow Swv 1/4TBE - 1/8NPT	44-158-00-PP	*
64	4	Hydraulic Fitting Reducer 221501-8-4S	95-304-05-PP	
65	4	Hydraulic Fitting Elbow Bulkhead 2043-8-8S	95-310-03-PP	
66	2	Hyd. Ftg. Elbow Bulk. 45 deg. 2042-8-8S	95-310-05-PP	
67	4	Elbow 2071-8-8S	95-316-08-PP	
68	2	Plate-Hose Block	15-120-00-BK	
69	2	Bulkhead Fitting 20-3008-8-8S	95-311-08-PP	
70	2	S.S. Round Cover	15-020-03-MP	

RW-103, RW-103FF ELIMINATOR

DEC. 2001

PAGE #7

Item no.	Req'd	Description	Part no.	Remarks
71	4	Screw S.S. PN Phl #10-24 x 3/8"	83-510-006-SNC	
72	2	3/8" Elbow-Machined	95-258-00-MP	*
73	2	Oil Reservoir Cylinder	56-730-01-BK	*
74	2	Oil Reservoir Shaft - 5 1/4" Lg.	56-730-03-MP	*
75	4	O-Ring - Diam. 9-16"x3/32" 568-113	90-450-01-PP	*
76	2	Oil Reservoir End Cap Mach.	15-730-01-MP	*
77	2	Oil Reservoir End Cap	56-730-02-BK	*
78	4	O-Ring - Diam. 3"x3/32" 568-151	90-450-02-PP	*
79	6	1/4" Tube - 3/8"NPT 90 Deg. Swivel Elbow	90-224-00-PP	*
80	4	Ftg. Elbow 1/4TBE-Socket PLJ1/4	90-222-00-PP	*
81	2	Oil Level Tube - 1/4" Polly 7 1/2" Lg.	15-730-03-MP	*
82	4	Oil Reservoir Mounting Bracket	56-735-00-BK	*
83	8	1/4" Flat Washer S.S.	80-104-000-SI	*
84	8	#10 Lock Washer S.S.	80-910-000-SN	*
85	8	#10-24 x 5/8" S.S. B. PHL. Mach. Screw.	83-510-010-SNC	*
86	4	3/8" Flat Washer S.S.	80-106-000-SI	*
87	4	3/8" Lock Washer S.S.	80-906-000-SI	*
88	4	HHCS 3/8-16 x 1 1/2" Lg. S.S.	82-606-024-SIC	*
89	12	Valve Flow Control JSC 3/8-N3AH	90-143-02-PP	*
90	1	Hydraulic Flow Control Mounting Bracket	13-600-00-MP	
91	1	Hydraulic Flow Control Valve	95-140-03-PP	
92	4	1/4" Flat Washer	80-104-000-SI	
93	2	1/4"-20 Nylock Hex Nut S.S.	85-004-000-SIC	
94	2	HHCS 1/4"-20 x 2 1/2" SS	82-504-040-SIC	
95	1	Back Plate	13-601-00-MP	