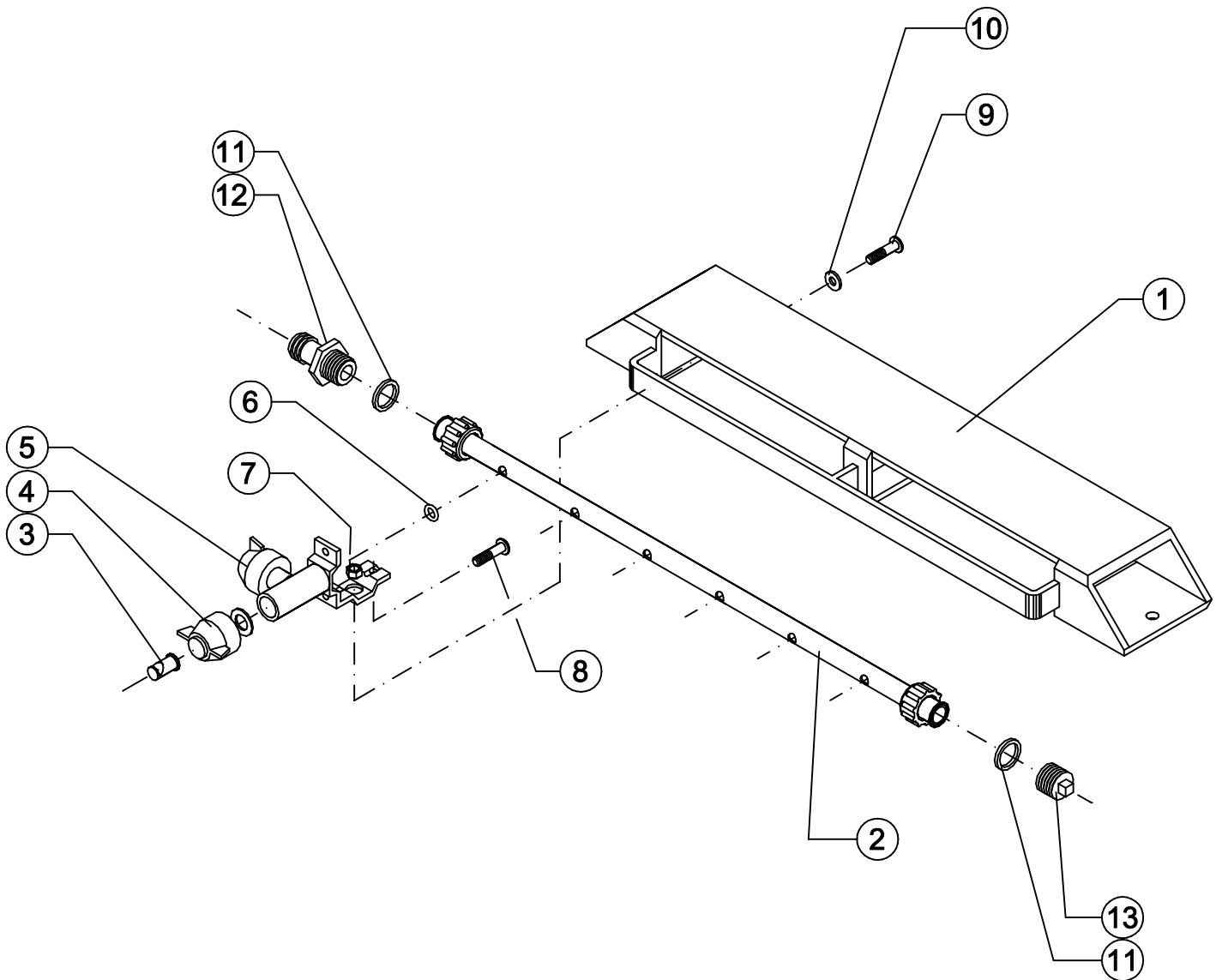


RW100 UNDER CHASSIS WASHER

MAY 2004

PAGE #1



RW100

UNDER CHASSIS WASHER

JULY 2004

PAGE #2

Item no.	Req'd	Description	Part no.	Remarks
1	1	Under Chassis Manifold Weldment SG	60-001-00-SG	
2	1	Water Manifold Assembly 24"lg	60-100-00-MP	
3	6	Wide Angle Nozzle DT7.5	10-265-00-PP	
4	6	Nozzle Cap/Gasket YLW	10-200-02-PP	
5	6	Nozzle Anti Drip Body 1/2"	10-200-01-PP	
6	6	Nozzle Body O'ring	10-200-03-PP	
7	6	HEX NUT SS 6mm	84-006-00-SMC	
8	6	#10-24X3/4" Pan HD PHL S.S. Screw	83-510-012-SNC	
9	6	SCREW SS PAN HD M6x16mm	83-506-016-SMC	
10	6	Flat Washer 1/4" S.S.	80-104-000-SI	
11	2	Washer Garden Hose Red	90-202-00-PP	
12	1	Fitting Adapter 3/4HB-3/4GHT Poly	52-523-00-PP	
13	1	Fitting Plug 3/4" GHT	90-063-00-PP	

MACNEIL WASH SYSTEMS