

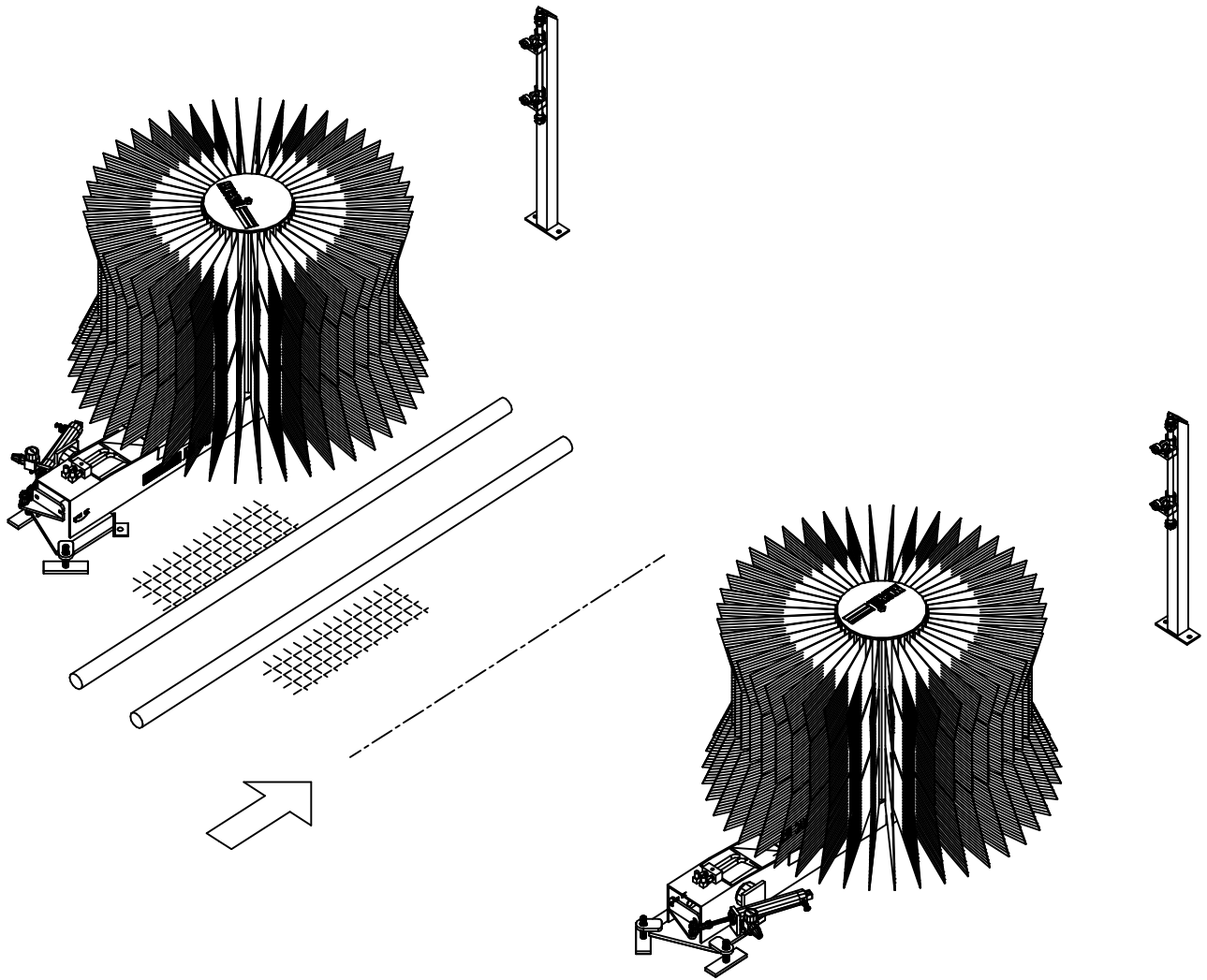
MAY, 2004



RS-400 SIDE WASHER

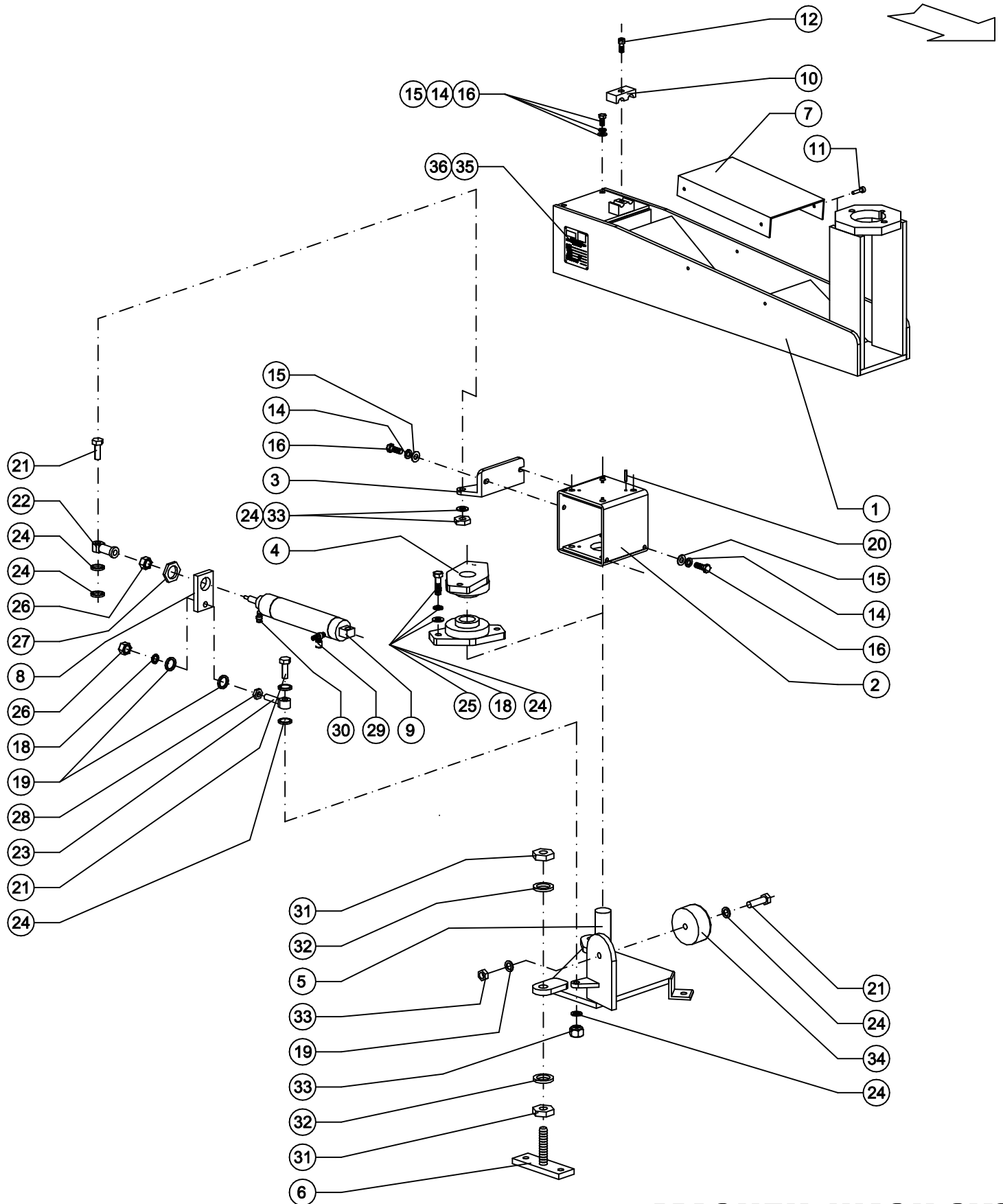
(ENVIROSOFT AND CLOTH BRUSH)

PARTS LIST

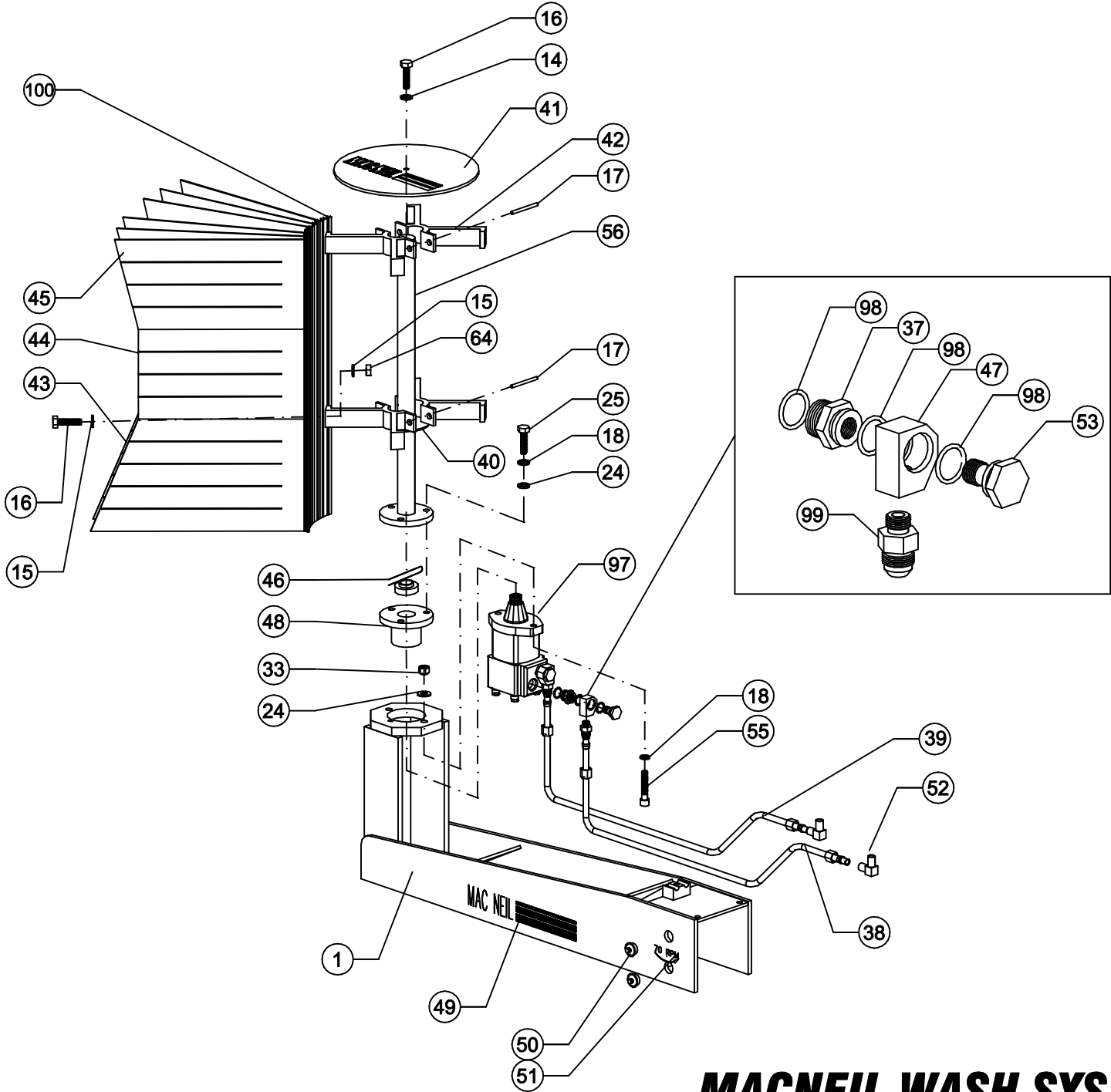


MACNEIL WASH SYS.

RS-400 SIDE WASHER ARM ASS'Y



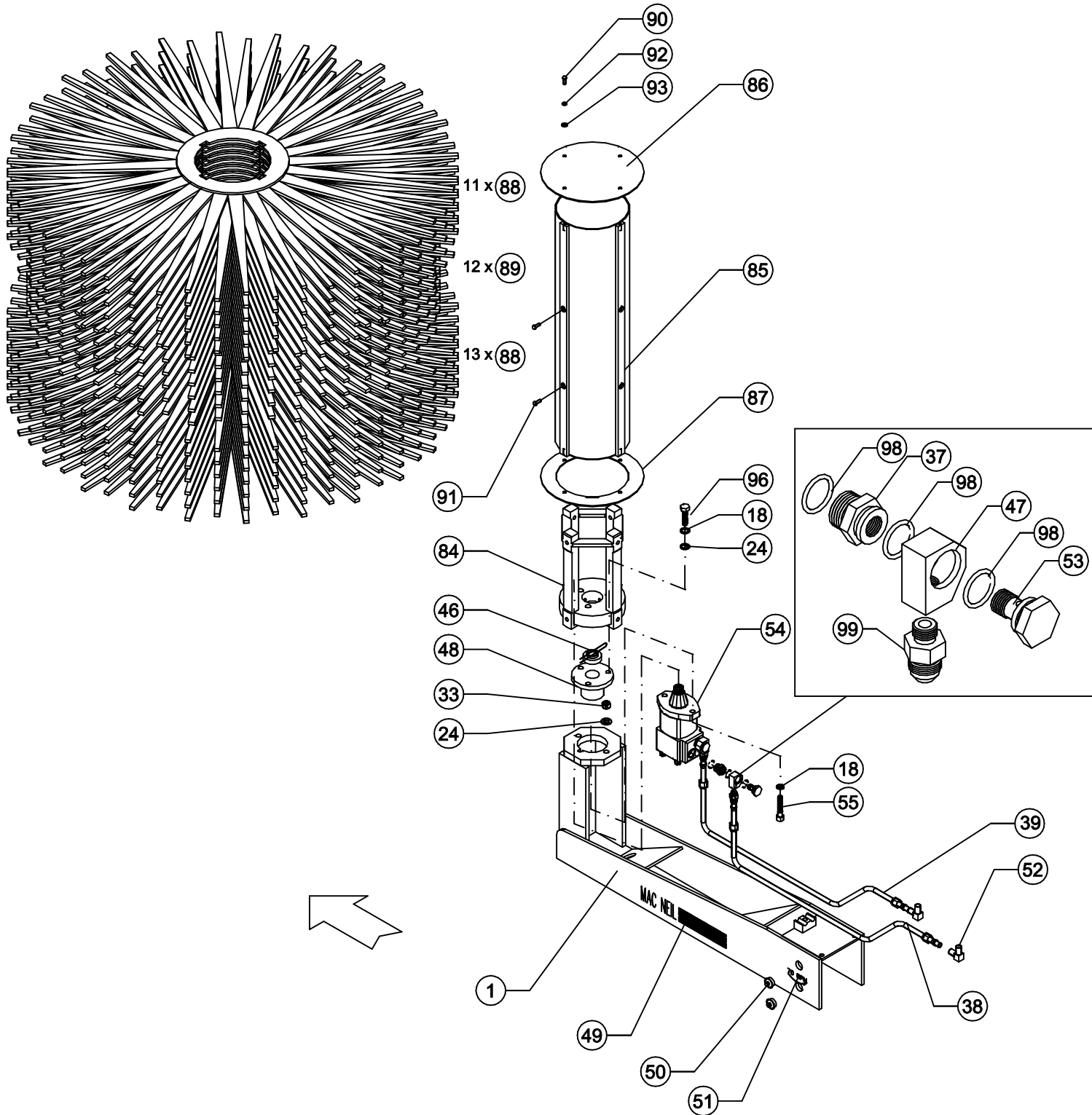
RS-400 SIDE WASHER CLOTH BRUSH ASSEMBLY



MACNEIL WASH SYS.

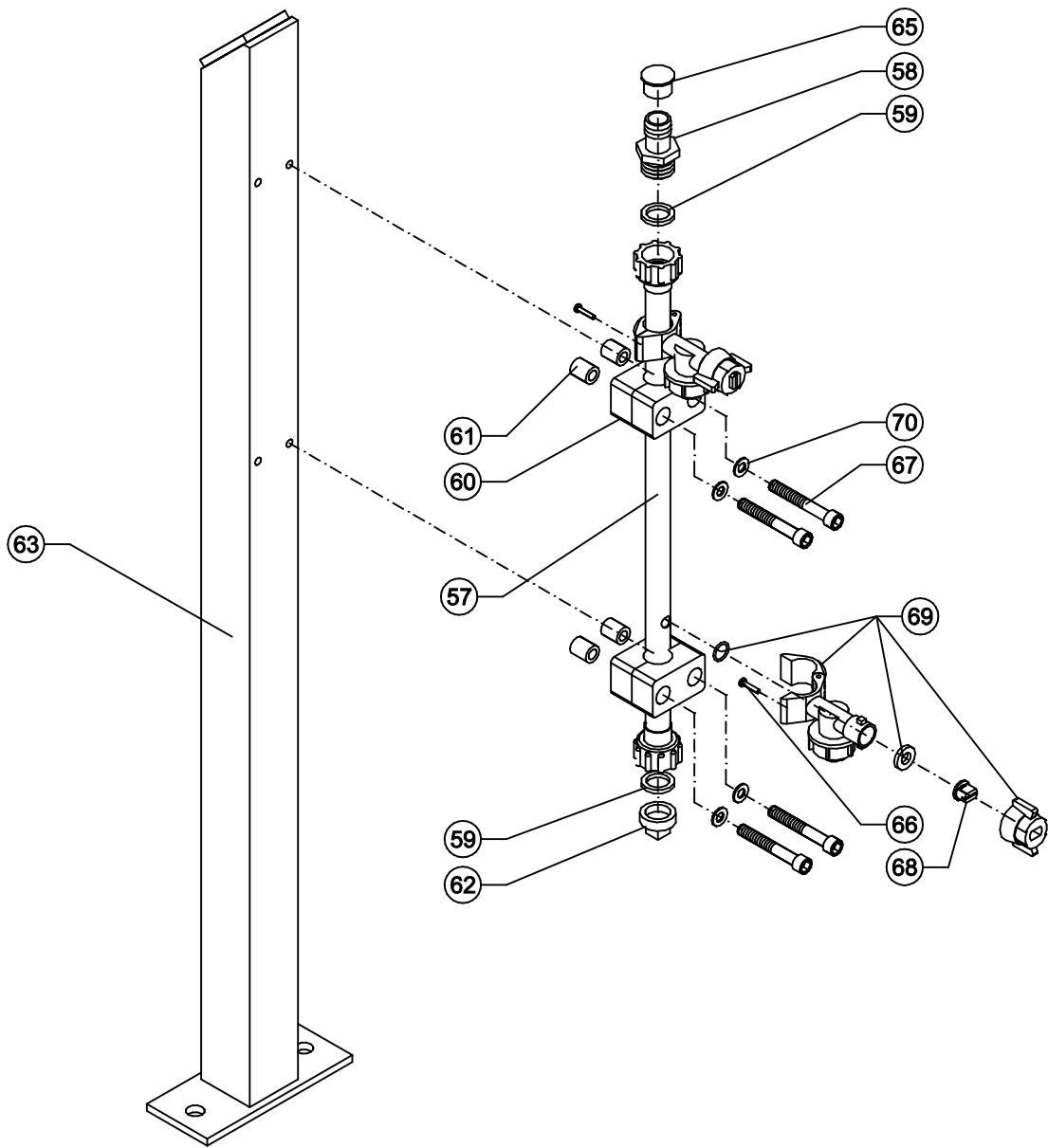


RS-400 SIDE WASHER ENVIROSOFT BRUSH ASSEMBLY



MACNEIL WASH SYS.

RS-400
SIDE WASHER
WATER MANIFOLD ASS'Y

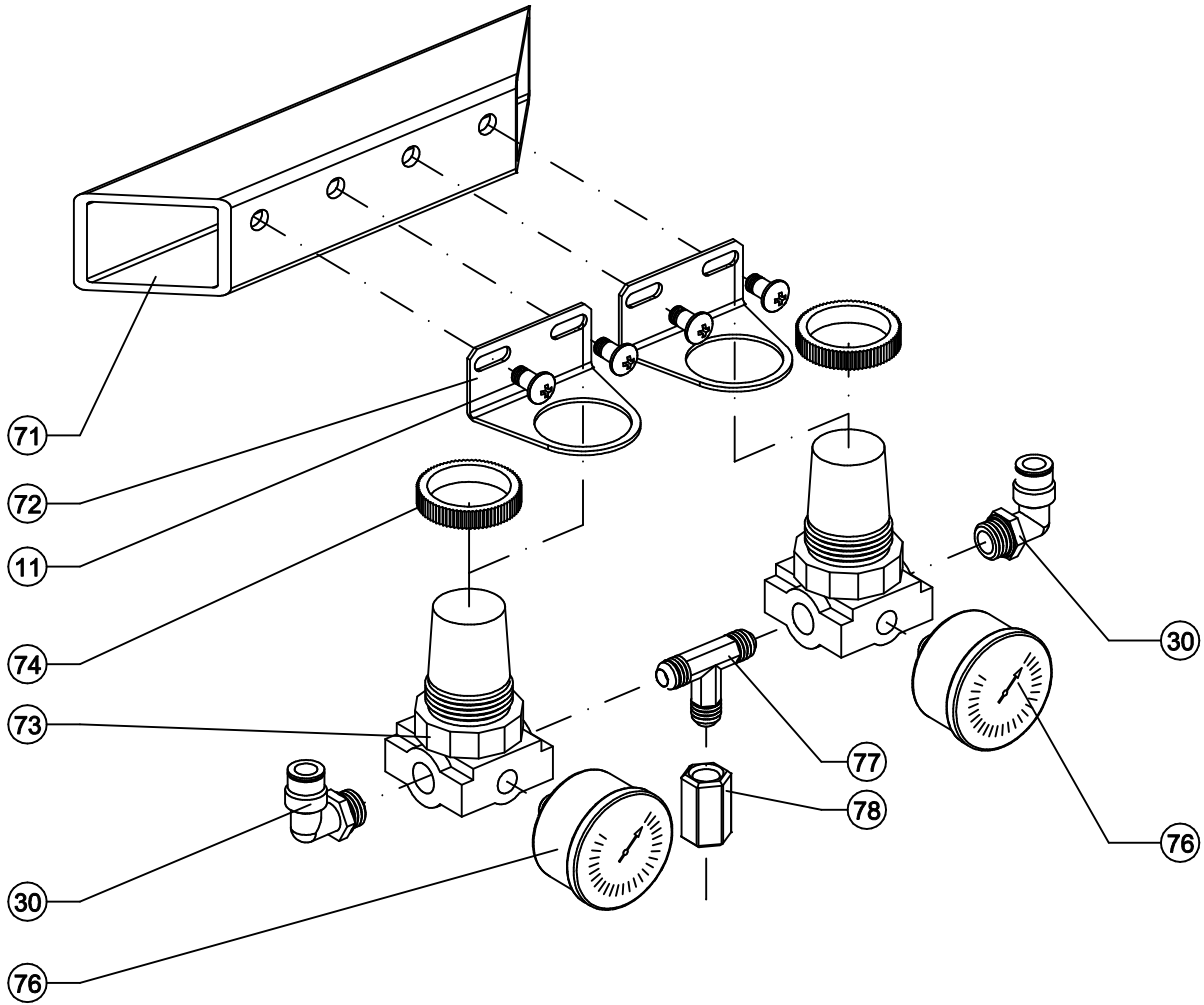


RS-400

SIDE WASHER

AIR MANIFOLD ASS'Y(STANDARD)

PART NO. :90-903-00-MP

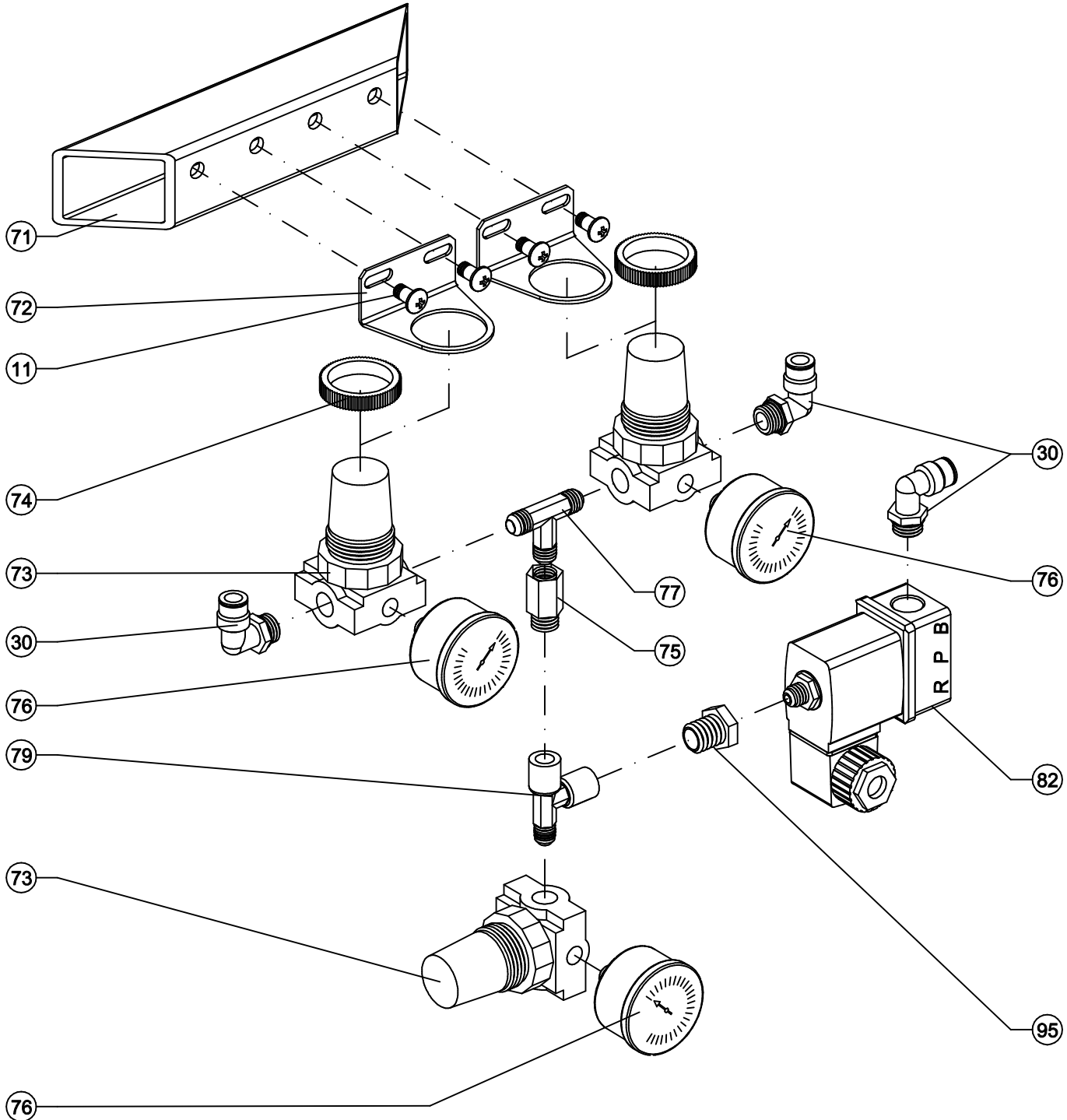


RS-400 SIDE WASHER

AIR MANIFOLD ASS'Y(RETRACT OPTION)

PART NO. :90-901-00-MP (FOR 24 VOLTS)

PART NO. :90-905-00-MP (FOR 110 VOLTS)



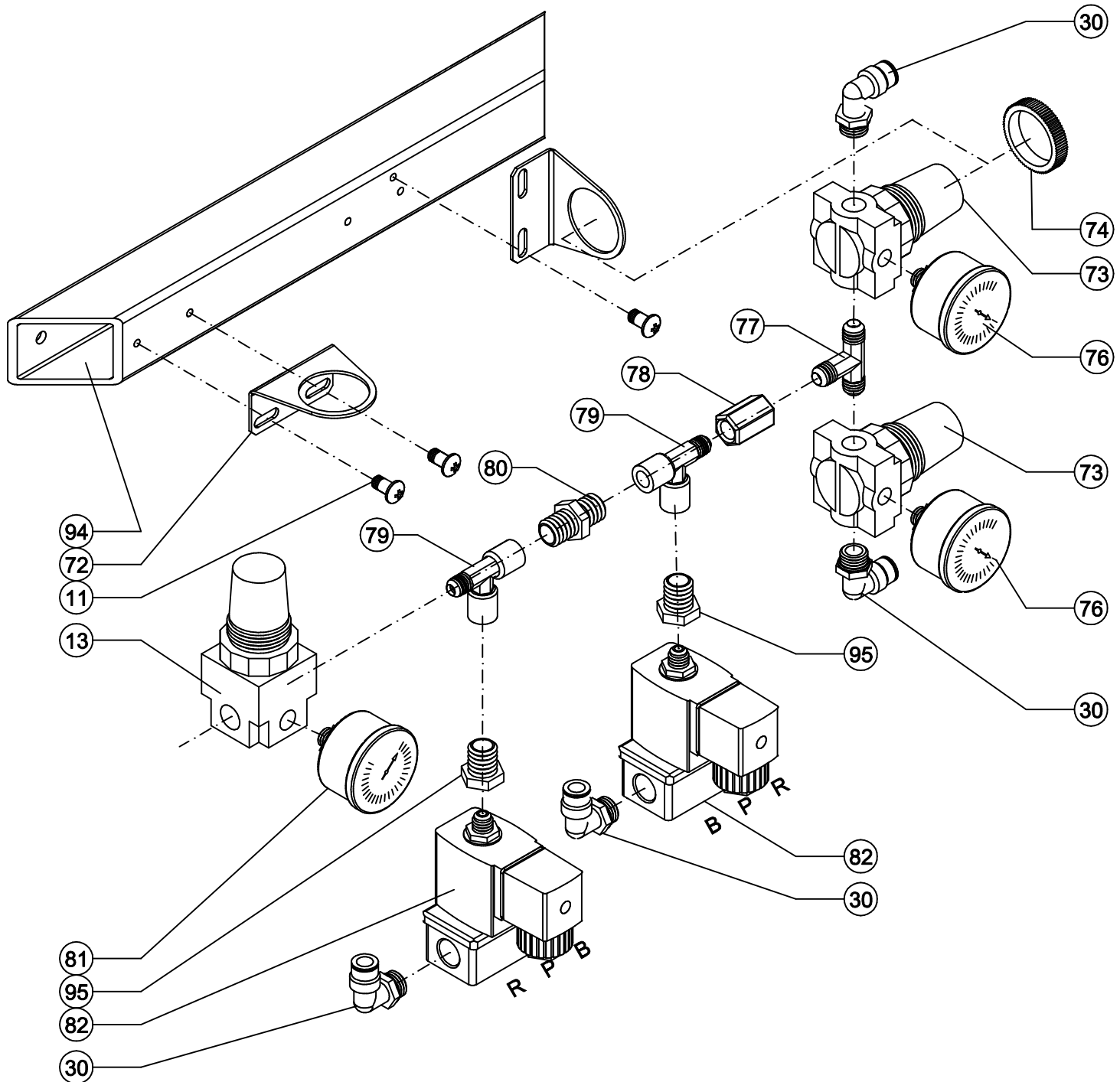
SIDE WASHER

AIR MANIFOLD ASSEMBLY

(RETRACT STAGGERED OPTION)

PART NO.: 90-900-00-MP (FOR 24 VOLTS)

PART NO.: 90-904-00-MP (FOR 110 VOLTS)



RS-400 SIDE WASHER**Page #8**

Item no.	Req'd	Description	Part no.	Remarks
1	2	Arm	48-312-00-SG	
2	2	Pivot Head	10-900-00-SG	
3a	1	Cylinder Mount D/S	43-545-00-BK	
3b	1	Cylinder Mount P/S	41-570-00-BK	
4	4	1 1/2"-2 Hole Flange Bearing	90-190-00-PP	
5a	1	Side Brush Base D/S	43-210-00-SG	
5b	1	Side Brush Base P/S	43-220-00-SG	
6	4	Adjuster Foot Base 4 1/2" S.S.	10-005-00-MP	
7	2	Cover Plate S.S.	48-300-00-PP	
8	2	Trunion Mount	43-530-00-BK	
9	2	Air Cylinder	90-100-01-PP	
10	1	Double Cushion Hose Block(Pair)	90-152-00-PP	
11	12	#10-24X1/2" Pan HD PHL S.S.	83-510-008-SNC	
12	2	SHCS 5/16-18X3/4" S.S.	82-705-012-SIC	
13	1	Air Regulator SMC	44-101-01-PP	
14	10	Lock Washer 3/8" S.S.	80-906-000-SI	
15	10	Flat Washer 3/8" S.S.	80-106-000-SI	
16	10	HHCS 3/8-16X1" S.S.	82-506-016-SIC	
17	4	1/4X2" Spring Pin S.S.	86-204-032-SI	
18	24	Lock Washer 1/2" S.S.	80-908-000-SI	
19	10	Flat Washer 1/2" S.S.	80-108-000-SI	
20	8	3/16" X1" Spring Pin Bare	86-203-016-BI	
21	6	HHCS 1/2-13X2" S.S.	82-508-032-SIC	
22	2	1/2 Female Rod End	90-151-02-PP	
23	2	1/2 Male Rod End	90-151-03-PP	
24	22	Flat Washer SAE 1/2" S.S.	80-208-000-SI	
25	8	HHCS 1/2-13X1 1/4" S.S.	82-508-020-SIC	
26	4	Jam Nut 1/2" S.S.	84-108-000-SIF	
27	2	Cylinder Jam Nut 1 1/4"	90-090-00-PP	
28	2	Nut 1/2"-20 S.S.	84-008-000-SIF	
29	2	Flow Control Valve 1/4"	90-140-01-PP	
30	5	1/4" NPT-1/4" Tube Swivel Elbow	90-223-06-PP	Qty:5 For Retract Option
31	8	Nut 3/4"-10 S.S.	84-012-000-SIC	
32	8	Thrust Washer 3/4" S.S.	80-612-000-SI	
33	10	NyLock Nut 1/2"-13 S.S.	85-008-000-SIC	
34	2	Poly Bumper Black	40-370-00-PP	
35	1	Serial ID-TAG	36-900-00-PP	Used For D/S only
36	4	1/8" Dia. Pop Rivet Al.	87-002-000-AL	Used For P/S only
37	4	Hydraulic Banjo Bushing	95-256-30-PP	
38	2	Hydraulic Tube Ass'y Short	95-623-00-MP	
39	2	Hydraulic Tube Ass'y Long	95-622-00-MP	
40	2	1 1/2" Flat Bolt Washer Plate	80-024-000-Z1	
41	2	Top Cover	43-305-00-CL	
42	4	Brush Core Hub 12" Dia	20-012-00-PP	Used on Cloth Brush
43	88	Bottom Brush Lower Cloth Panel	20-210-48-	Specify Colour
44	88	Bottom Brush Middle Cloth Panel	20-250-41-	Specify Colour
45	88	Bottom Brush Upper Cloth Panel	20-290-41-	Specify Colour
46	2	1/8" X 1 1/2" Cotter Pin Bare	86-002-024-BI	
47	4	Hydraulic Banjo Block	95-256-20-PP	
48	2	Large Bore Motor Hub	41-702-00-ZN	
49	2	1 3/4" MacNeil Decal	36-000-00-PP	
50	4	1" Dia. Hole Plug	44-013-00-MP	

RS-400 SIDE WASHER**Page #9**

Item no.	Req'd	Description	Part no.	Remarks
51a	1	Speed/Rotation Decal CW	36-070-00-PP	
51b	1	Speed Rotation Decal CCW	36-070-01-PP	
52	4	1/2" Hydraulic Elbow	95-036-08-PP	
53	4	Hydraulic Banjo Bolt	95-256-10-PP	
54	2	Hydraulic Motor	95-100-08-BL	Used on Envirossoft Brush
55	4	SHCS 1/2-13X2 1/2" S.S.	82-708-040-SIC	
56	2	19 3/8" Brush Shaft	43-700-00-ZN	
57	2	Manifold Pipe Assembly 17" S.S.	41-650-00-MP	
58	2	3/4" GHT-3/4" Hose Barb Blk	52-523-00-PP	
59	4	Garden Hose Washer	90-202-00-PP	
60	4	3/4 Single Hose Block Set	90-153-00-PP	
61	8	1/2"Dia. Spacer x 5/8" Ny.	80-008-010-NI	
62	2	3/4" GHT Plug	90-063-00-PP	
63	2	Water Manifold Post	43-500-00-SG	
64	8	3/8"-16 Nylock Nut S.S.	85-006-000-SIC	
65	2	#29 Shipping Plug	05-090-03-PP	
66	8	#10-24X5/8" Machine Screw S.S	83-510-10-SNC	
67	8	SHCS 1/4-20X1 3/4" S.S.	82-704-028-SIC	
68	6	Spray Nozzle Tip (80 Deg.)	10-250-02-PP	
69	6	Nozzle Body Ass'y	10-200-00-MP	
70	8	1/4" (Small O.D.) Flat Washer S.S.	80-304-000-SI	
71	1	Air Manifold MTG Bracket	90-901-01-MP	
72	2	MTG Bracket B220	90-170-02-PP	
73	2	Air Regulator Watts	90-110-01-PP	Qty 3 for Retract Option
74	2	Regulator Nut	90-115-00-PP	
75	1	Brass Adapter 1/4" MPT-1/4" FPT	90-040-00-PP	Used on Retract Option Only
76	2	Air Gauge 0-60 psi	90-060-00-PP	Qty 3 for Retract Option
77	1	Forged Tee Brass 1/4" MPT	90-010-04-PP	
78	1	FTG Brass CPLR 1/4" NPT	90-022-01-PP	Standard and Staggered Option
79	1	Brass Forged Street Tee 1/4" NPT	90-015-04-PP	Used on Retract Option Only
	2	Brass Forged Street Tee 1/4" NPT	90-015-04-PP	Used on Staggered Retract Option
80	5	1/4" Hex Nipple	90-212-02-PP	1 retract, 5 staggered option
81	1	Air Gauge 0-160 psi	90-160-00-PP	Used for Staggered Retract Option
82	2	Solenoid Valve 3/2 Way N-O, 24V or	90-141-22-PP	1 Retract, 2 Staggered Retract
	2	Solenoid Valve 3/2 Way N-O, 110V	90-141-24-PP	1 Retract, 2 Staggered Retract
84	2	Hub -Core Drive	53-301-00-MP	
85	2	RS-400 Core Panel (Second Generation Enviro-Soft)	48-610-00-MP	
86	2	Retainer Guard Disc	53-300-11-CL	
87	2	Retainer Ring	53-300-10-CL	
88	24	Second Generation Enviro Soft Foam Plate 48" dia	21-480-00-UP	
89	12	Second Generation Enviro Soft Foam Plate 44" dia	21-440-00-UP	
90	8	1/4"-20x3/4 Btn Hd Screw S.S.	83-204-012-SIC	
91	16	5/16"-18x1" Btn Hd Screw S.S.	83-205-016-SIC	
92	8	1/4" Lock Washer S.S.	80-904-000-SIC	
93	8	1/4" Flat Washer S.S.	80-104-000-SI	
94	1	Air Manifold Mounting Bracket	90-900-01-MP	Used on Retract Option Only
95	1	1/4 NPT - 1/8 NPT Reducing Bushing	90-030-00-PP	Used on Retract Option
	2	1/4 NPT - 1/8 NPT Reducing Bushing	90-030-00-PP	Used on Staggered Retract Option
96	6	HHCS 1/2-13 X2 1/4" S.S.	82-508-036-SIC	
97	2	Hydraulic Motor	95-100-03-YL	Used on Cloth Brush
98	12	O-Ring 568-910	90-450-06-PP	
99	4	SAE O-Ring to 37 deg Flare 202702-6-8S	95-306-08-PP	
100	8	Bottom Brush Core Panel x 28"	20-074-00-PP	Used on Cloth Brush
101	1	Decal RH	36-007-03-PP	
102	1	Decal LH	36-007-02-PP	