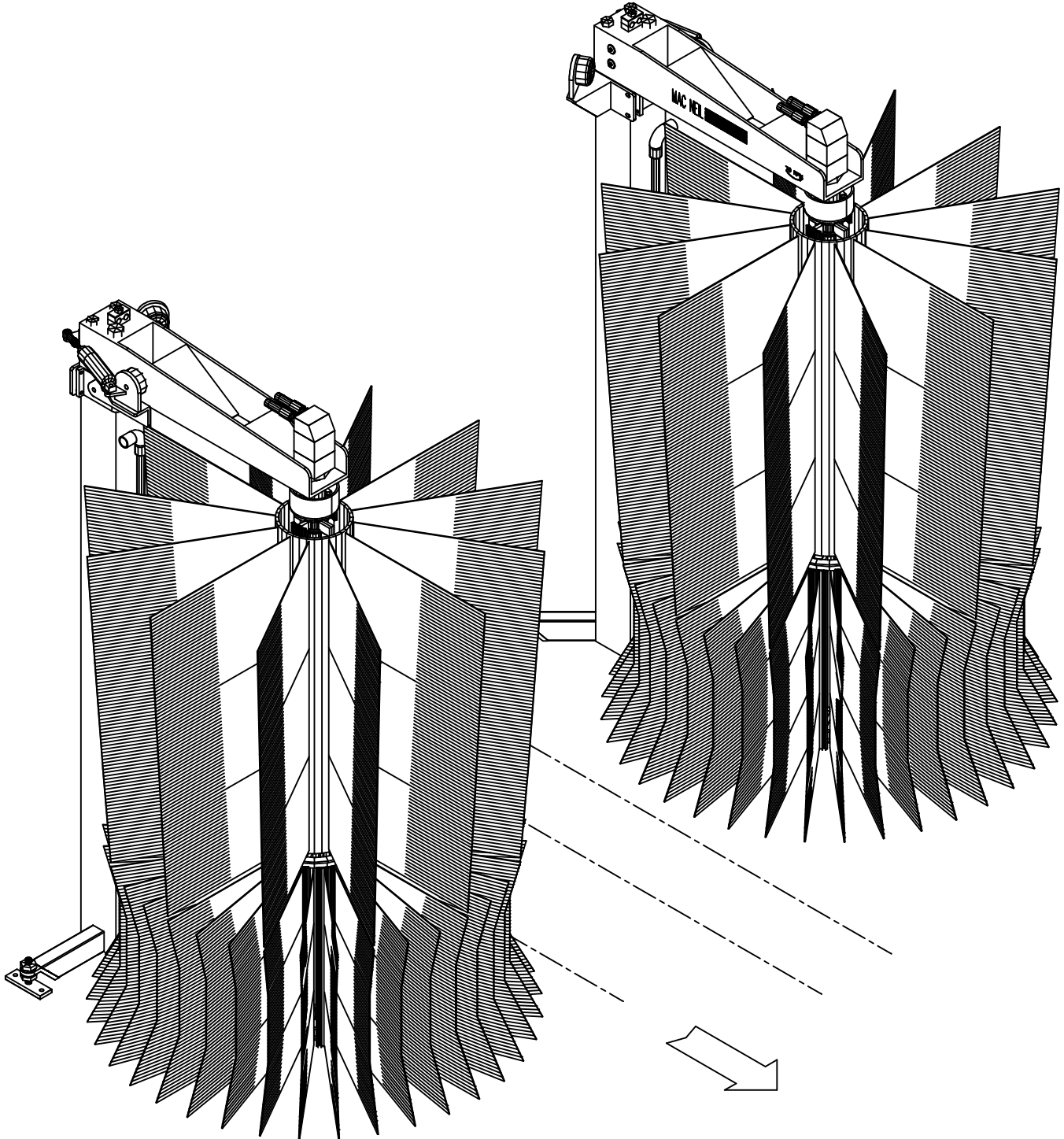
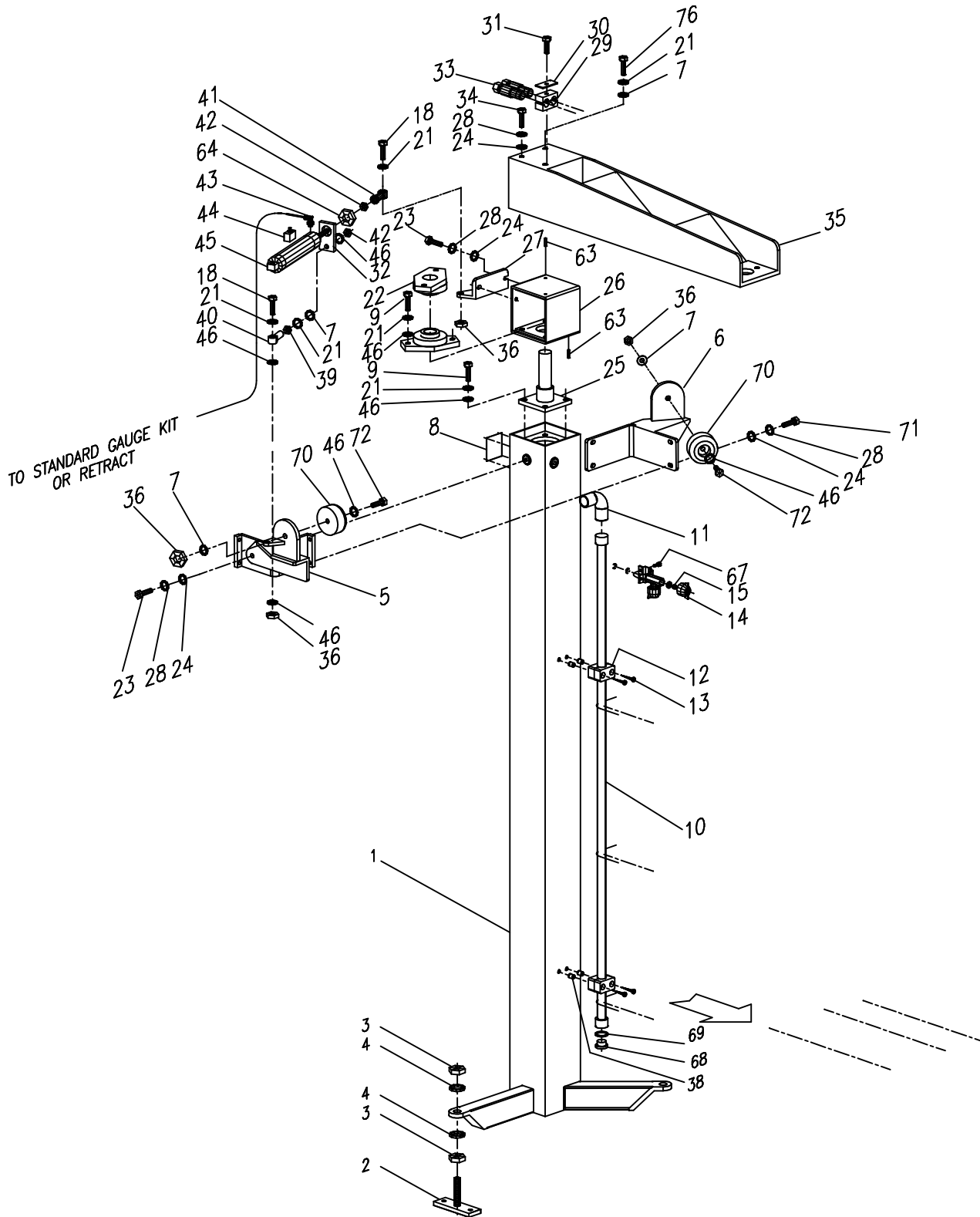
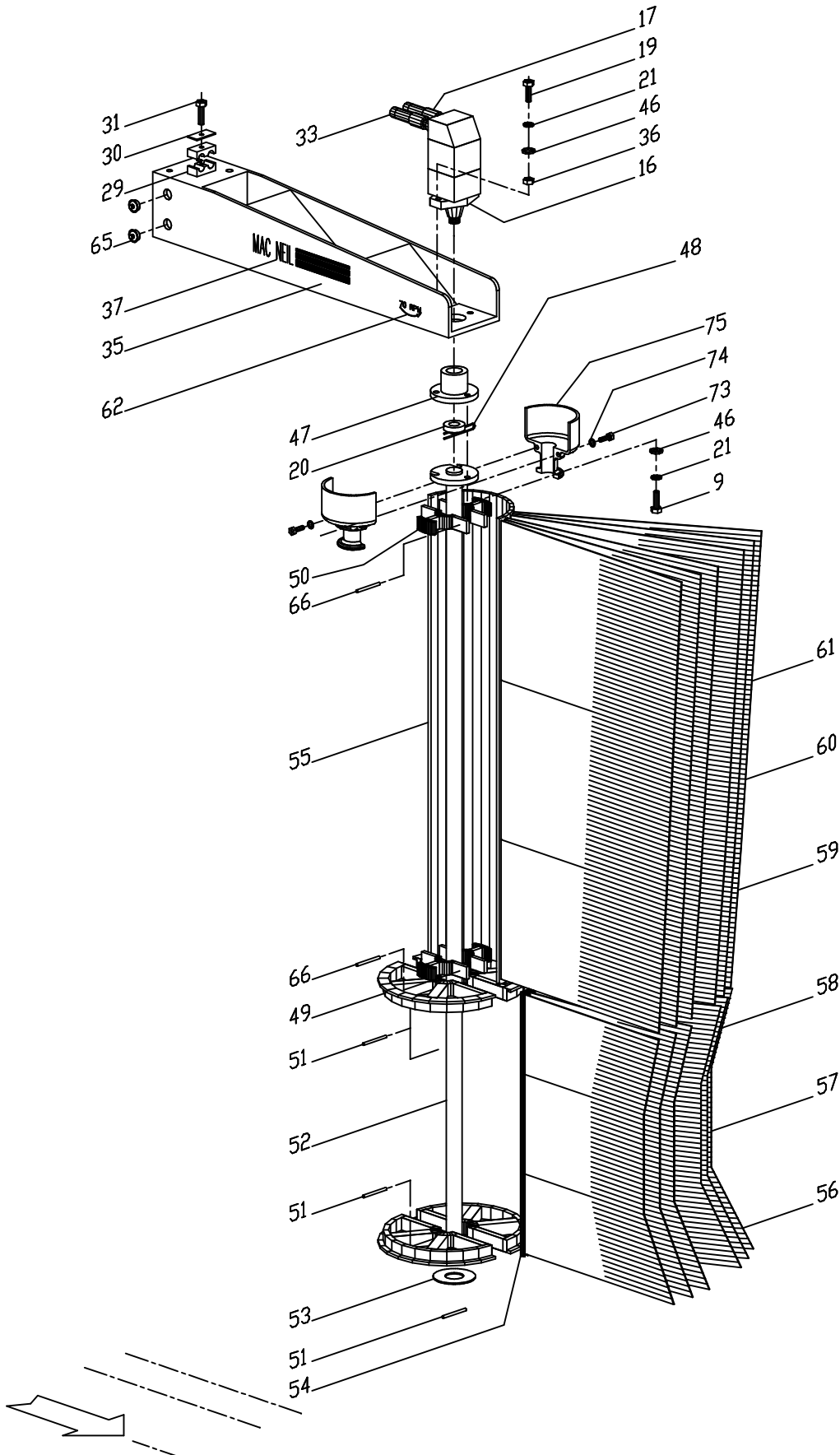


PARTS LIST: EFFECTIVE AS OF SERIAL# 3579961







Item no.	Req'd	<u>PART LIST</u> Description	Part no.	Page #4 Remarks
EFFECTIVITY: SERIAL #3579961				
1a	1	Side Brush Post DS	42-211-00-MP	
1b	1	Side Brush Post PS	42-221-00-MP	
2	6	Adjuster Foot Base 4 1/2" SS	10-005-00-MP	
3	12	3/4"-10 Nut SS	84-012-000-SIC	
4	12	3/4" Thrust Washer SS	80-612-000-SI	
5a	1	Bumper/Cylinder Mount DS	42-340-00-MP	
5b	1	Bumper/Cylinder Mount PS	42-350-00-MP	
6a	1	Bumper Mount Ass'y D/S	42-580-00-MP	
6a	1	Bumper Mount Ass'y P/S	42-590-00-MP	
7	8	1/2" Flat Washer SS	80-108-000-SI	
8	2	Serial Identification Tag	36-900-00-PP	
9	20	HHCS 1/2"-13 x 1 1/4" SS	82-508-020-SIC	
10	2	Manifold Pipe Ass'y x 71" SS	42-651-00-MP	
11	2	3/4"Hose Barb-3/4"GHT Bk Poly Elbow	52-522-00-PP	
12	4	3/4" Single Hose Block Set	90-153-00-PP	
13	8	SHCS 1/4"-20 x 1 3/4" SS	82-704-028-SIC	
14	8	Nozzle Body Ass'y	10-200-00-MP	
15	8	Spray Nozzle Tip	10-250-02-PP	Standard Size TP8010
16	2	Hyd Motor	95-100-07-YL	
17	4	7/8" O-Ring-1/2"JIC Straight Adaptor	95-030-07-PP	
18	4	HHCS 1/2"-13 x 2" SS	82-508-032-SIC	
19	4	SHCS 1/2"-13 x 2 1/2 SS	82-708-040-SIC	
20	2	Motor Nut	95-010-01-PP	
21	28	1/2" Lock Washer SS	80-908-000-SI	
22	4	1 1/2"-2 Hole Flange Bearing SS	90-190-00-PP	
23	6	HHCS 3/8"-16 x 1" SS	82-506-016-SIC	
24	24	3/8" Flat Washer SS	80-106-000-SI	
25	2	Pivot Head Spindle	10-901-00-MP	
26	2	Pivot Head	10-900-00-MP	
27a	1	Pivot Head Cylinder Mounting Bracket DS	41-560-00-MP	
27b	1	Pivot Head Cylinder Mounting Bracket PS	41-570-00-MP	
28	26	3/8" Lock Washer SS	80-906-000-SI	
29	2	Double Cushion Hose Block	90-154-00-PP	
30	2	Double Cushion Hose Block Top Plate	90-154-01-PP	
31	2	HHCS 5/16"-18 x 2" SS	82-505-032-SIC	
32	2	Trunion Mount	43-530-00-MP	
33	4	Hyd Hose Ass'y x 54"	95-602-00-MP	
34	6	HHCS 3/8"-16 x 3/4" SS	82-506-012-SIC	
35a	1	Arm PS	42-320-00-MP	
35b	1	Arm DS	42-310-00-MP	

Item no.	Req'd	<u>PART LIST</u> Description	Part no.	Page #5 Remarks
36	12	1/2"-13 Nylock Nut SS	85-008-000-SIC	
37	2	1 3/4" Mac Neil Decal	36-000-00-PP	
38	8	1/2"Dia Spacer x 5/8" Nylon	89-008-010-NI	
39	2	1/2"-20 Nut SS	84-008-000-SIF	
40	2	1/2" Male Rod End	90-151-03-PP	
41	2	1/2" Female Rod End	90-151-02-PP	
42	4	1/2"-20 Jam Nut SS	84-108-000-SIF	
43	2	1/4"NPT-1/4"Tube Swivel Elbow	90-223-06-PP	
44	2	1/4" Flow Control Valve	90-140-01-PP	
45	2	Air Cylinder	90-100-01-PP	
46	44	1/2"SAE Flat Washer SS	80-208-000-SI	
47	2	Large Bore Motor Hub	41-702-00-MP	
48	2	1/8" x 1 1/2" Cotter Pin Bare	86-002-024-BI	
49	2	Brush Core Hub 12"Dia	20-016-00-PP	
50	2	Brush Core Hub 6"Dia	20-012-00-PP	
51	6	1/4" x 2" Spring Pin SS	86-204-032-SI	
52	2	Brush Shaft x 77"	42-700-00-MP	
53	2	1 1/2" Flat Bolt Washer PL	80-024-000-ZI	
54	4	Bottom Brush Core Panel x 26"	20-072-00-PP	
55	4	H/H Brush Core Panel x 46"	20-094-00-PP	
56	64	Bottom Brush Lower Cloth Panel	20-210-42-	Specify Color
57	64	Bottom Brush Middle Cloth Panel	20-250-42-	Specify Color
58	64	Bottom Brush Upper Cloth Panel	20-290-42-	Specify Color
59	24	H/H Brush Lower Cloth Panel	20-310-42-	Specify Color
60	24	H/H Brush Middle Cloth Panel	20-350-42-	Specify Color
61	24	H/H Brush Upper Cloth Panel	20-390-42-	Specify Color
62a	1	70 RPM Clockwise Decal	36-070-00-PP	
62b	1	70 RPM counter-Clockwise Decal	36-070-01-PP	
63	8	3/16" x 1" Spring Pin Bare	86-203-016-BI	
64	2	1 1/4" Cylinder Jam Nut	90-090-00-PP	
65	4	1"Dia Hole Plug	44-013-00-MP	
66	4	1/4" x 1 3/4" Spring Pin SS	86-204-028-SI	
67	8	#10-24 x 5/8" Machine Screw SS	83-510-010-SNC	
68	2	3/4"GHT Plug	90-063-00-PP	
69	4	Garden Hose Washer	90-202-00-PP	
70	4	Red Poly Bumper	40-370-00-PP	
71	12	HHCS 3/8-16 x 1-1/2" SS	82-506-024-SIC	
72	4	HHCS 1/2-13 x 2" SS	82-508-032-SIC	
73	4	HHCS 5/16-18 x 1" SS	82-505-016-SIC	
74	4	5/16" Flat Washer SS	80-105-000-SI	
75	4	Protective Covers	42-705-00-MP	
76	4	HHCS 1/2-13 x 1" SS	82-508-016-SIC	

NOTE: -All quantities listed represent the materials required for both
Driver side DS and Passenger side PS washers.