

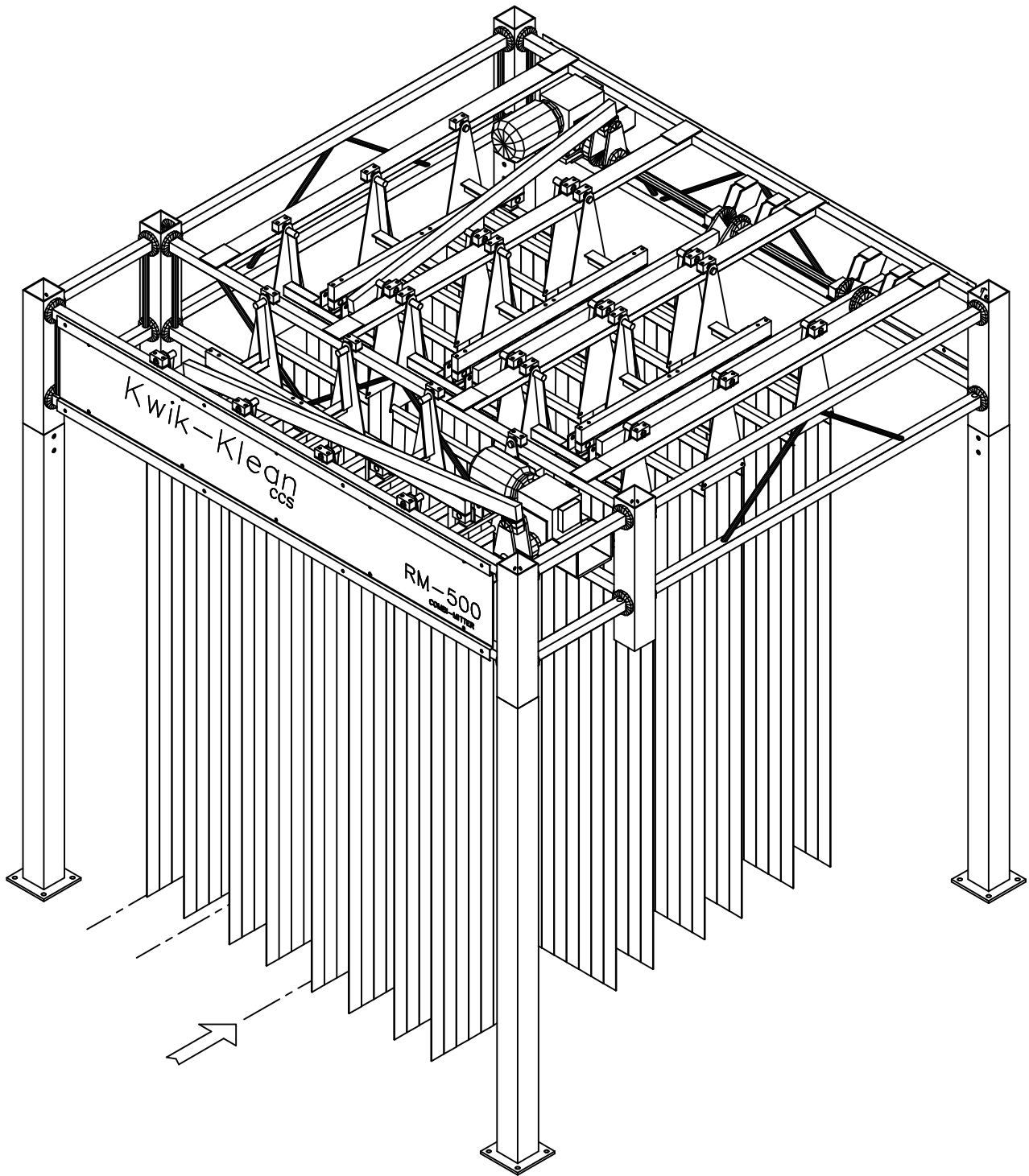
MAG NEIL

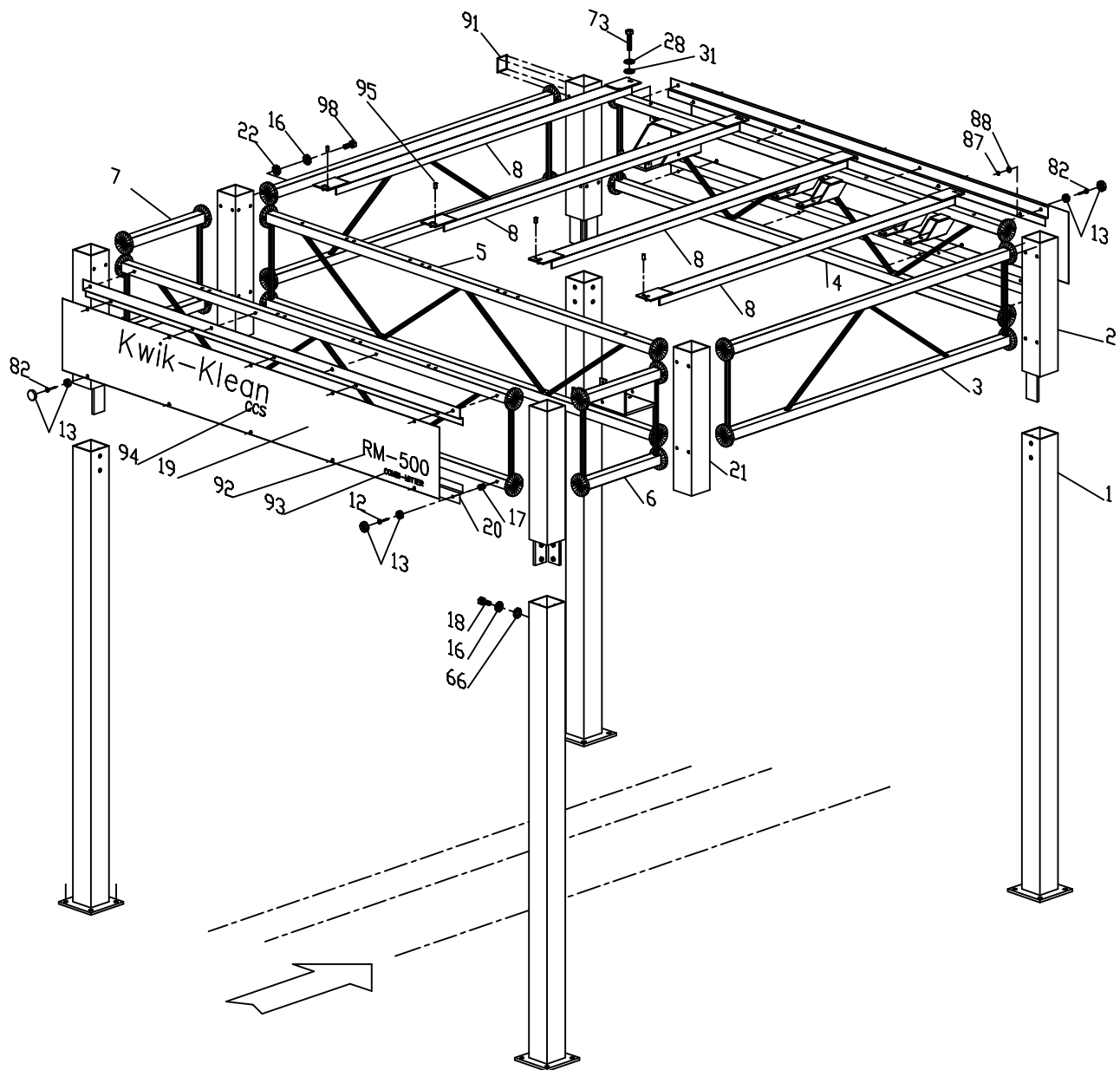
WASH SYSTEMS LIMITED

RM-500  
COMBI-MITTER

MAY '99

1  
OF 10





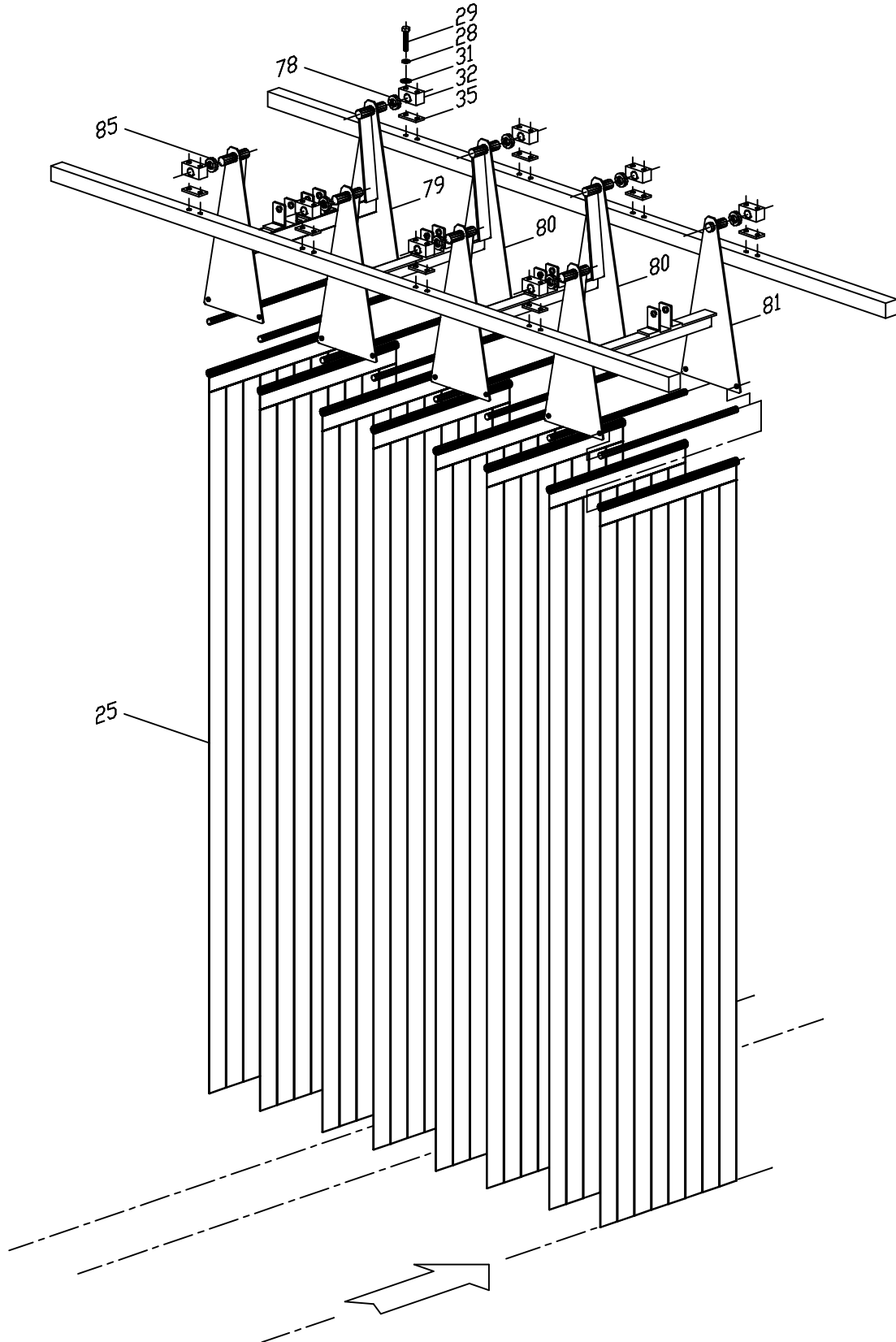
**MAC NEIL**

**WASH SYSTEMS LIMITED**

# RM-500 COMBI-MITTER

MAY '99

**3**  
OF 10



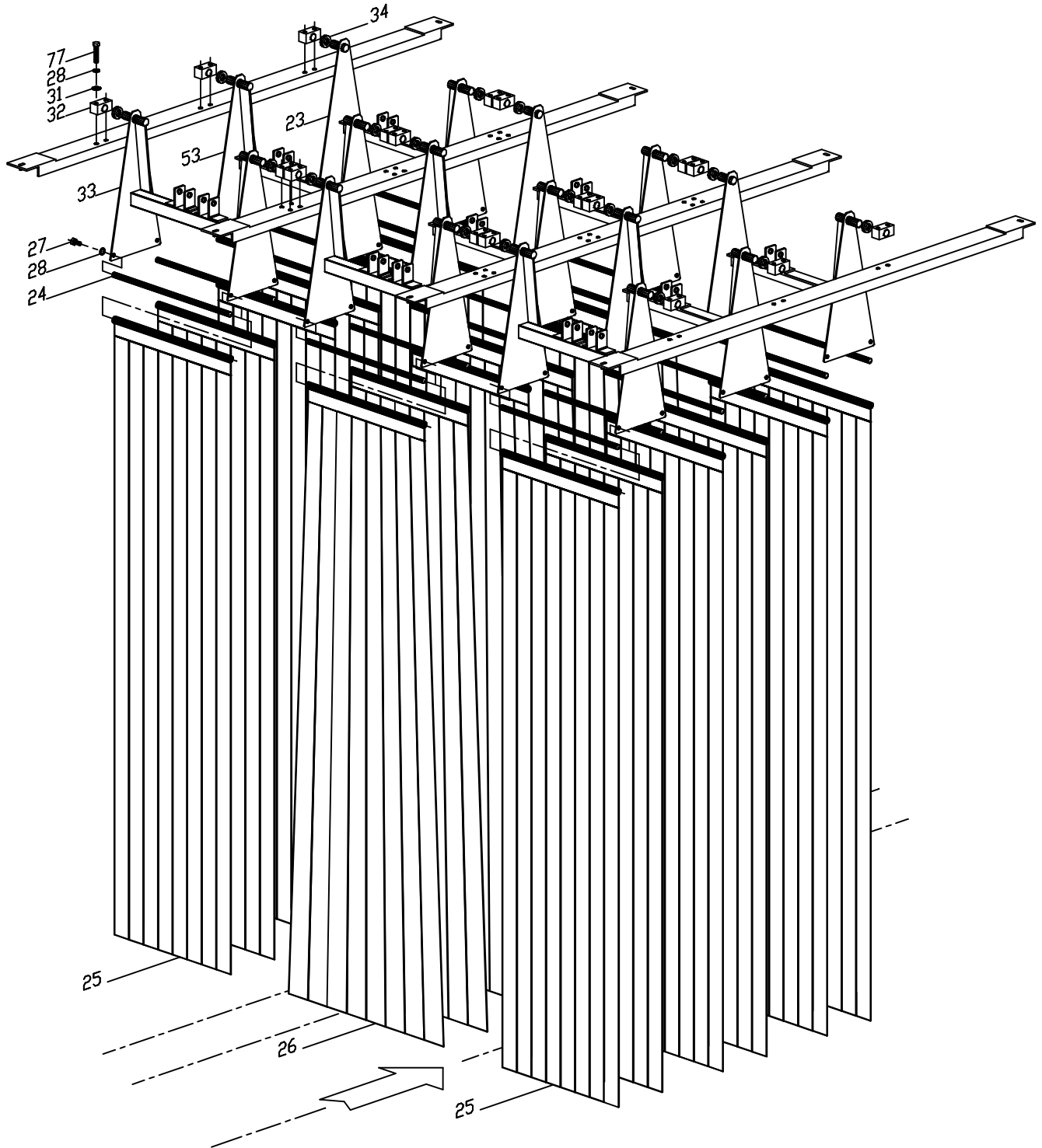
MAGNEIL

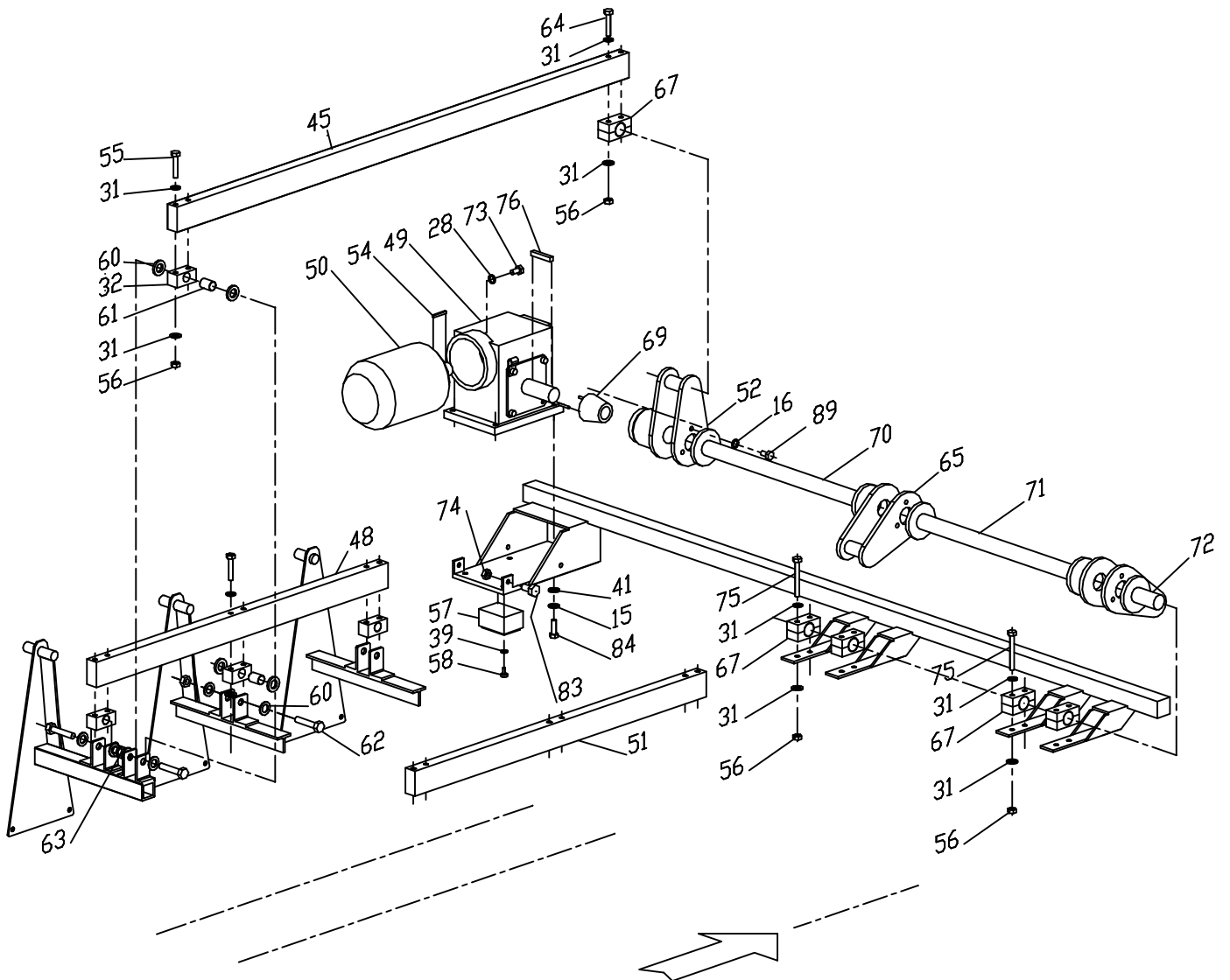
WASH SYSTEMS LIMITED

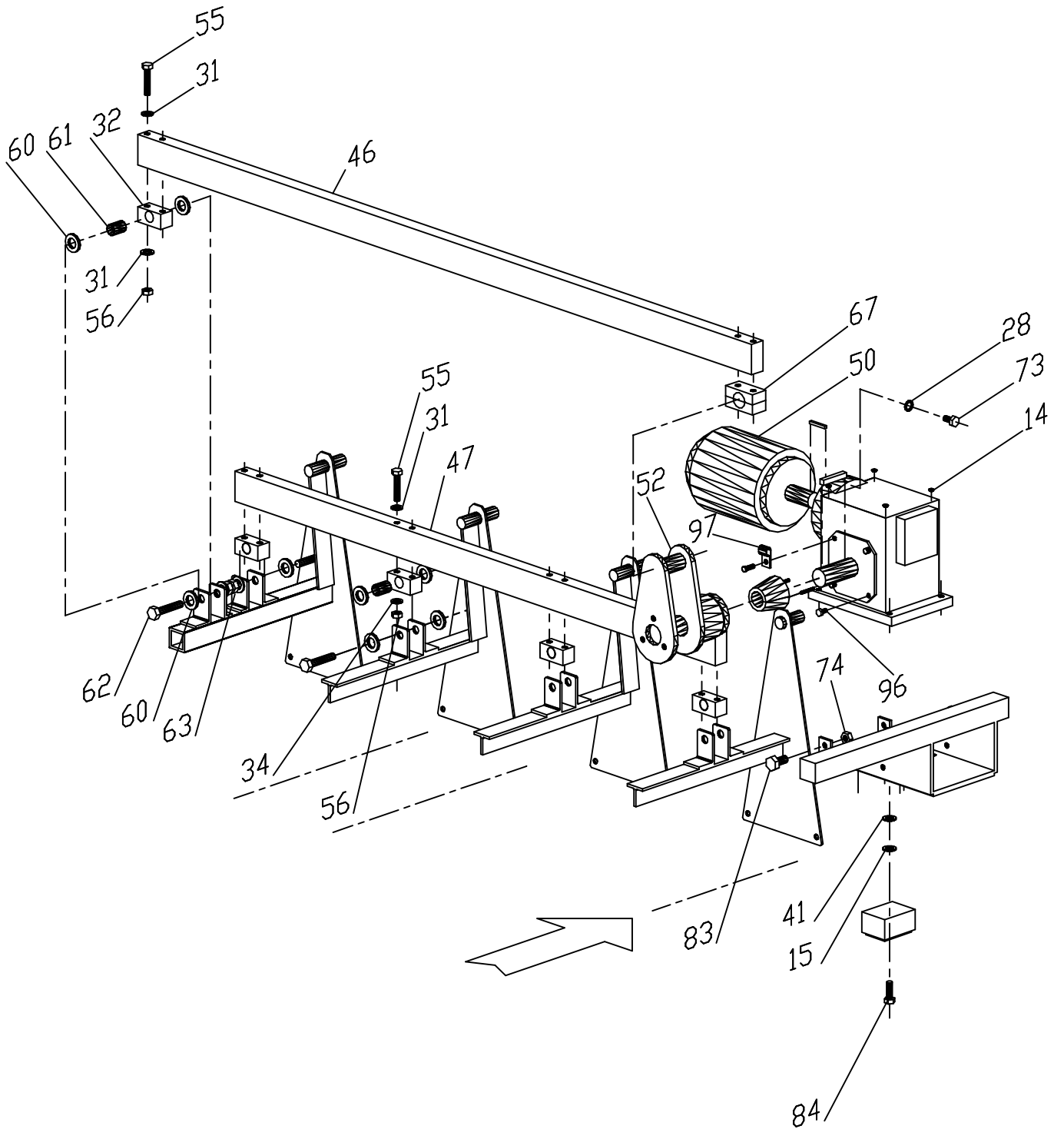
RM-500  
COMBI-MITTER

MAY '99

4  
OF 10







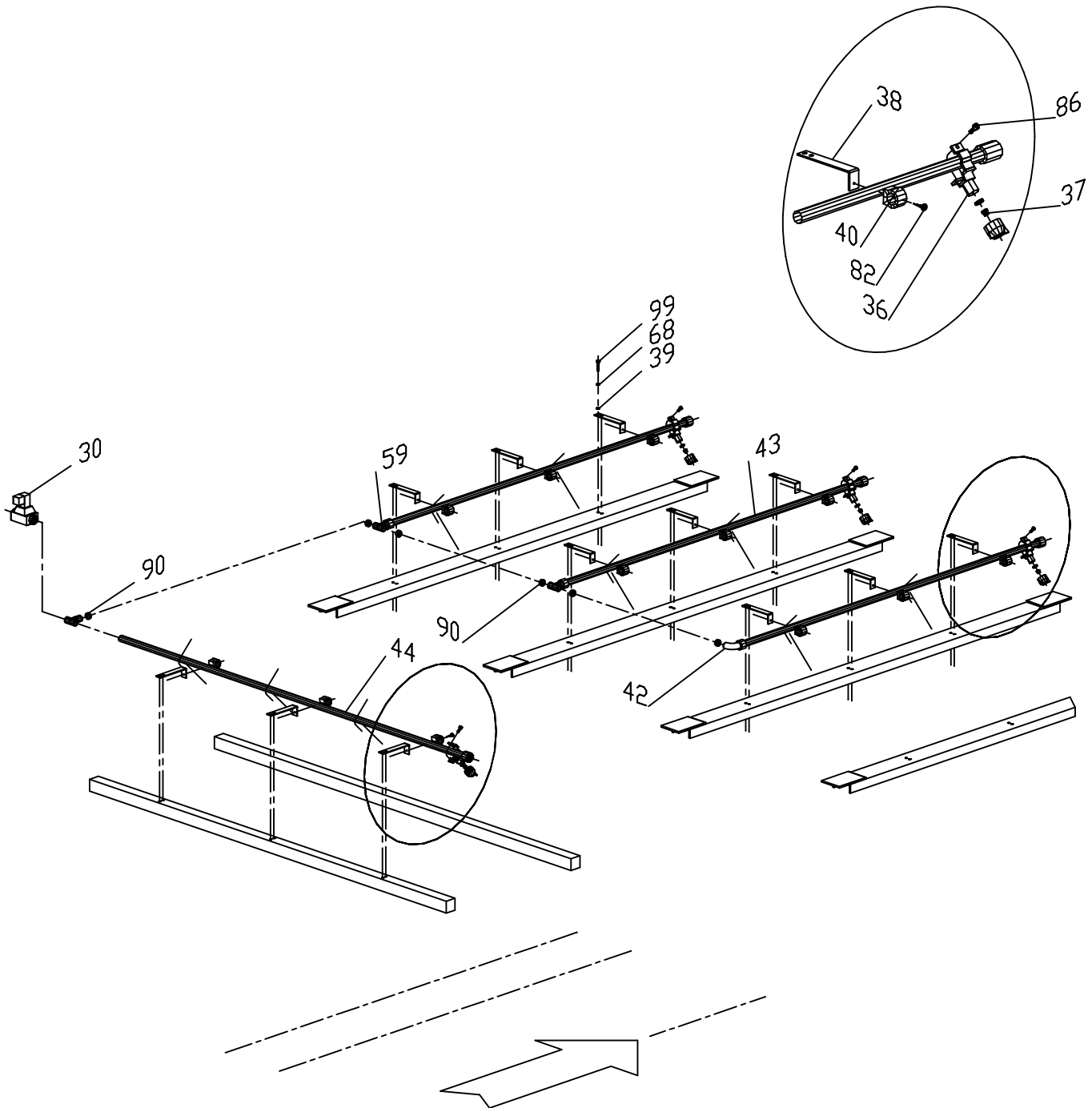
MAGNEIL

WASH SYSTEMS LIMITED

RM-500  
COMBI-MITTER

MAY '99

7  
OF 10



		RM 500		
Item no.	Req'd	Description	Part no.	Remarks
1	4	Main Post	52-110-00-MP	Specify Color
2	4	4 Plate Stub Leg	52-111-00-MP	Specify Color
3	2	81" Side Truss	52-123-00-MP	
4	1	107" Motor Truss	52-124-00-MP	
5	2	107" Standard Truss	52-125-00-MP	
6	1	23 3/16" Motor Truss PS	52-120-00-MP	
7	1	23 3/16" Standard Truss DS	52-121-00-MP	
8	4	Standard 87 1/2" Beam	52-130-00-MP	
12	16	#10-24 x 1 1/2" Machine Screw SS	83-510-024-SNC	
13	44	Cover Ring w/ Support	52-190-00-PP	
14	8	Push-in Fastener	52-191-00-PP	
15	8	7/16" Lock Washer SS	80-907-000-SI	
16	87	1/2" Lock Washer SS	80-908-000-SI	
17	16	1/2"Dia Spacer x 7/8" Nylon	89-008-014-NI	
18	16	HHCS 1/2"-13 x 1 1/4" SS	82-508-020-SIC	
19	2	Front & Back Facia S/G	52-185-00-PP	
20	4	Front & Back Facia Trim SS	52-180-00-PP	
21	2	6 Plate Stub Leg	52-112-00-MP	
22	56	1/2"SAE Flat Washer SS	80-208-000-SI	
23	1	F/B Curtain Rack (Motor End)	52-202-00-MP	
24	26	Curtain Rod x 24"	52-310-00-MP	
25	20	Parellel Mitter Curtain	20-500-52-	Specify Color
26	6	Tapered Mitter Curtain	20-550-52-	Specify Color
27	52	HHCS 3/8"-16 x 3/4" SS	82-506-012-SIC	
28	120	3/8" Lock Washer SS	80-906-000-SI	
29	16	HHCS 3/8"-16 x 2 1/4" SS	82-506-036-SIC	
30	1	3/4" Water Solenoid Valve 24Volt	10-100-05-PP	
31	160	3/8" Flat Washer SS	80-106-000-SI	
32	43	1 1/8"Dia Pivot Bearing	52-750-00-MP	
33	3	F/B Curtain Rack (Push Rod)	52-201-00-MP	
34	18	1/8" UHMW Spacer Washer	52-800-02-PP	
35	8	Bearing Plate	52-755-00-MP	
36	13	Nozzle Body Ass'y	10-200-00-MP	
37	13	Spray Nozzle Tip	10-250-01-PP	Standard Size TP8006
38	12	Water Manifold Support Bracket S	44-362-00-PP	
39	28	1/4" Flat Washer SS	80-104-000-SI	
40	12	Water Pipe Clamp-Clic #20	90-259-01-PP	



		RM 500		
Item no.	Req'd	Description	Part no.	Remarks
41	8	7/16" Flat Washer SS	80-107-000-SI	
42	1	3/4"Hose Barb-3/4"NPT Blk Poly E	52-520-02-PP	
43	3	Manifold Pipe Ass'y x 68" PVC	52-511-00-MP	
44	1	Manifold Pipe Ass'y x 76" PVC	52-510-00-MP	
45	3	58 7/8" Push Rod	52-251-00-MP	
46	1	79 3/16" Push Rod	52-250-00-MP	
47	1	63" Tie Rod	52-260-00-MP	
48	1	44 7/8" Tie Rod	52-262-00-MP	
49	2	Gearbox	52-701-00-PP	Specify Oil, See Note
50	2	Electric Motor	52-700-00-PP	Specify Voltage
51	2	46" Tie Rod	52-261-00-MP	
52	2	Crank Throw (Drive)	52-210-00-MP	
53	5	F/B Curtain Rack	52-200-00-MP	
54	2	Electric Motor Shaft Key	52-710-00-MP	
55	34	HHCS 3/8"-16 x 5 1/2" SS	82-506-088-SIC	
56	50	3/8"-16 Nylock Nut SS	85-006-000-SIC	
57	2	Juction Box Ass'y	52-660-00-MP	
58	4	HHCS 1/4"-20 x 1/2" SS	82-504-008-SIC	
59	3	3/4" Blk Poly Tee	52-520-01-PP	
60	68	3/4"SAE Flat Washer PL	80-212-000-ZI	
61	17	Axle Bushing	44-268-00-PP	
62	17	HHCS 3/4"-16 x 3" PL	82-512-048-ZIF	
63	17	3/4"-16 Axle Nut PL	85-212-000-ZIF	
64	8	HHCS 3/8"-16 x 6" SS	82-506-096-SIC	
65	2	Crank Throw (Driven)	52-211-00-MP	
66	16	1/2" Flat Washer SS	80-108-000-SI	
67	8	1 1/2"Dia Split Bearing	52-751-00-MP	
68	24	1/4" Lock Washer SS	80-904-000-SI	
69	2	Taperlock Bushing w/ Set Screws	52-720-00-PP	
70	1	26 1/4" Crank Shaft	52-220-00-MP	
71	1	22 1/8" Crank Shaft	52-221-00-MP	
72	1	Idler Crank Shaft	52-222-00-MP	
73	16	HHCS 3/8"-16 x 1 1/4" SS	82-506-020-SIC	
74	8	3/8"-16 Nut SS	84-006-000-SIC	
75	8	HHCS 3/8"-16 x 3 1/2" SS	82-506-056-SIC	
76	2	Gearbox Shaft Key	52-711-00-MP	
77	36	HHCS 3/8"-16 x 2" SS	82-506-032-SIC	
78	4	3/8" UHMW Spacer Washer	52-800-06-PP	

Item no.	Req'd	RM 500 Description	Part no.	Remarks
79	1	S/S Curtain Rack (Push Rod)	52-301-00-MP	
80	2	S/S Curtain Rack	52-300-00-MP	
81	1	S/S Curtain Rack (Motor End)	52-302-00-MP	
82	41	#10-24 x 1/2" Machine Screw SS	83-510-008-SNC	
83	8	HHCS 3/8"-16 x 1 3/4" Full Threac	82-606-028-SIC	
84	8	HHCS 7/16"-14 x 1 1/2" SS	82-507-024-SIC	
85	4	5/8" UHMW Spacer Washer	52-800-10-PP	
86	13	#10-24 x 5/8" Machine Screw SS	83-510-010-SNC	
87	28	#10-24 Nut SS	84-010-000-SNC	
88	28	#10 Lock Washer SS	80-910-000-SN	
89	15	HHCS 1/2"-13 x 1" SS	82-508-016-SIC	
90	6	1"-1 1/8" Hose Clamp	52-040-00-PP	
91	1	Serial Identification Tag	36-900-00-PP	
92	2	RM-500 Dark Blue Decal	36-500-01-PP	
93	2	Combil-Mitter Decal	36-005-00-PP	
94a	2	13" Softline Decal	36-001-00-PP	Specify Item 94a or 94b
94b	2	Kwik-Klean Decal	36-003-00-PP	Specify Item 94a or 94b
95	4	5/16" x 1" Spring Pin SS	86-205-016-SI	
96	4	HHCS 3/8"-16 x 1" SS	82-506-016-SIC	
97	2	1/2" Wiring Clamp	70-175-00-PP	
98	56	HHCS 1/2"-13X1 1/2" SS	82-508-024-SIC	
99	24	HHCS 1/4"-20X3/4" SS	82-504-012-SIC	

**NOTE:** -Synthetic oil (1/2 Gal) in item # 49  
 -AGMA #7EP USEM P.N. 000190  
 -AGMA #8 USEM P.N. 000191