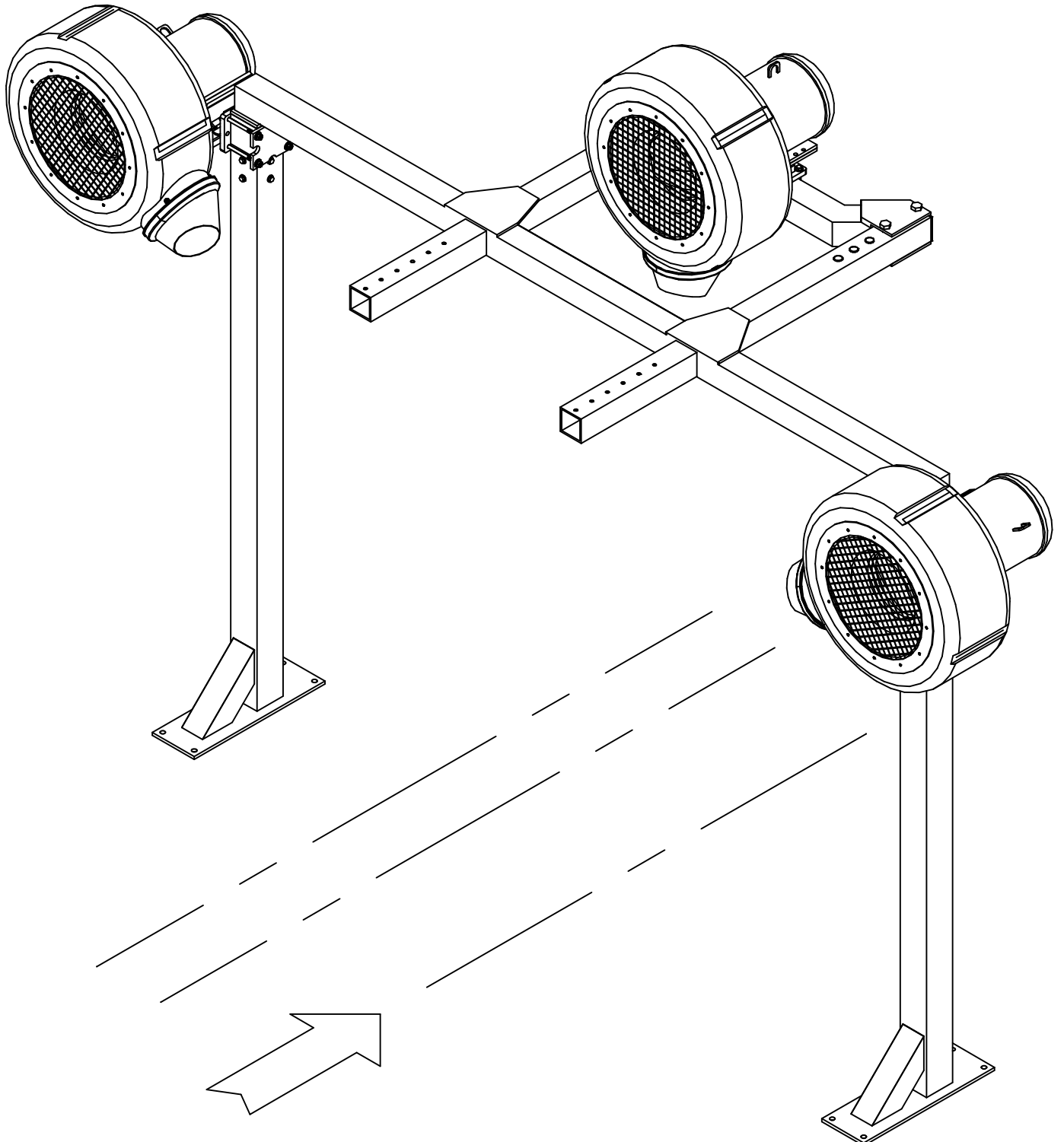


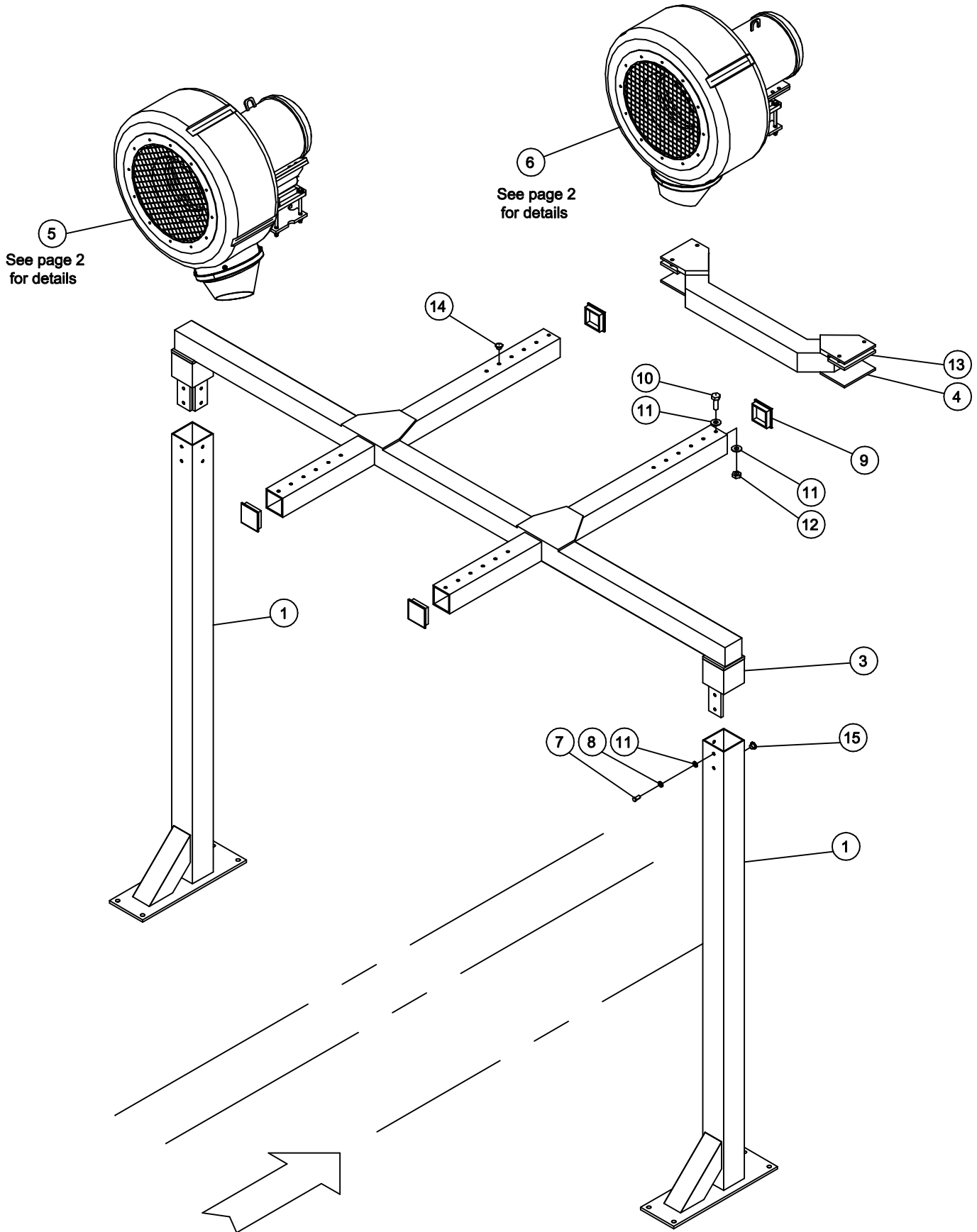
RD-300

Tech 21 Dryer

PARTS LIST

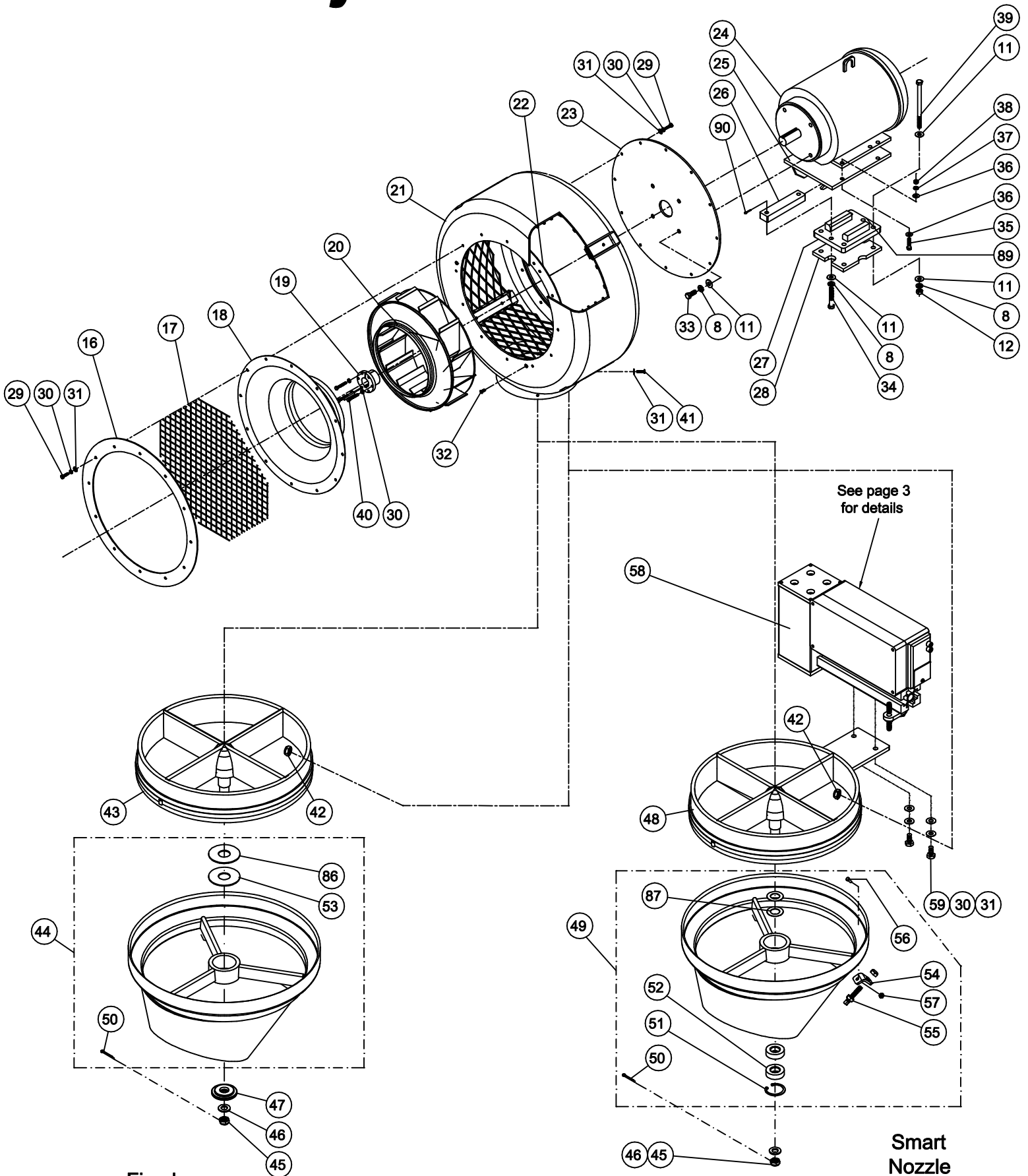


RD-300 Tech 21 Dryer



RD-300

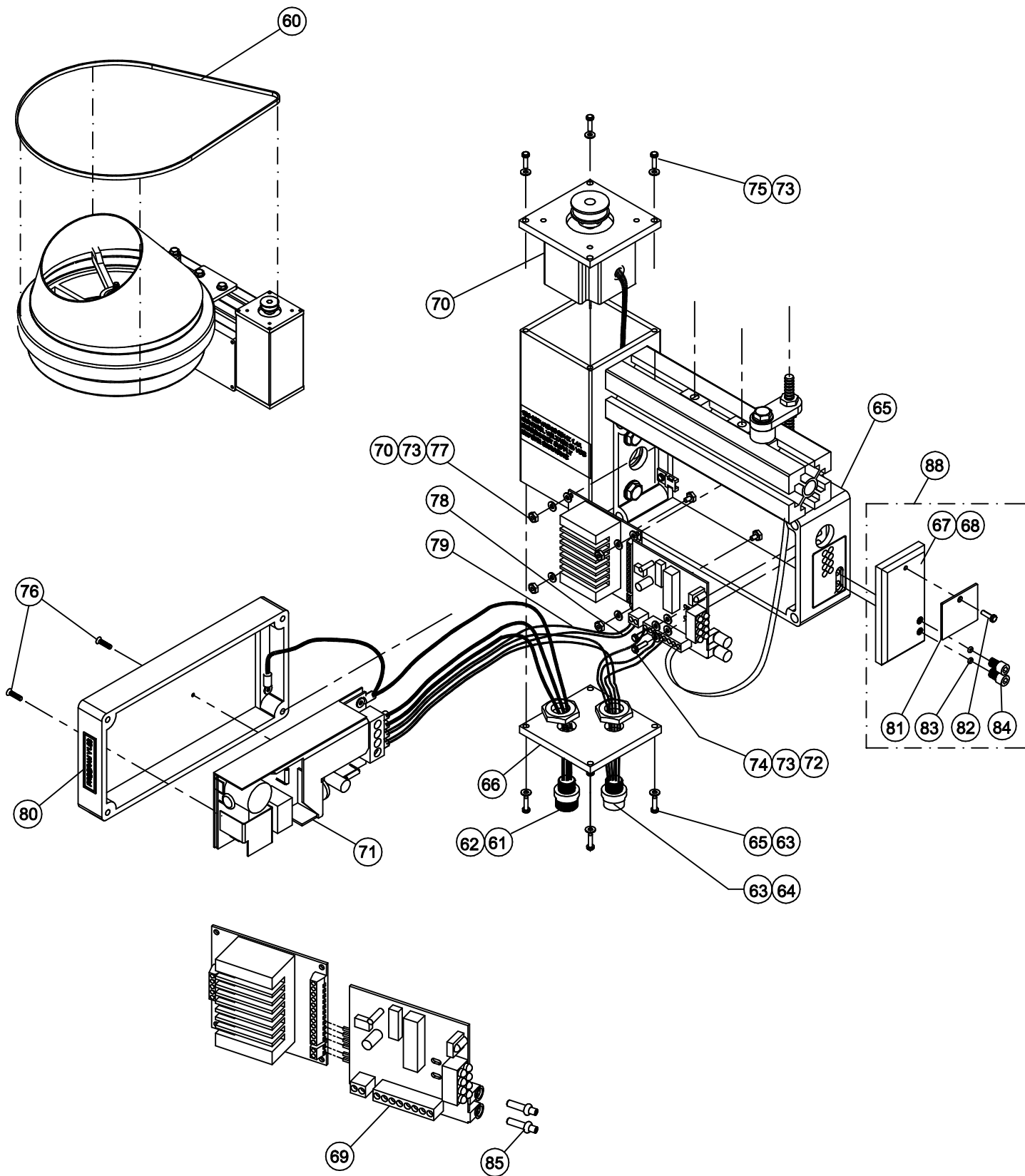
Tech 21 Dryer



Fixed
Nozzle

Smart
Nozzle

RD-300 Tech 21 Dryer



RD-300

TECH-21 DRYER

PAGE #6

<i>Item no.</i>	<i>Req'd</i>	<i>Description</i>	<i>Part no.</i>	<i>Remarks</i>
1	2	Dryer Post	65-010-00-SG	
3	1	Dryer Bridge	65-050-00-MP	
4	1	Dryer Fan Support	65-100-00-MP	
5a	2	Fan Ass'y 10HP-Fixed Noz. 230/460V-4" Post	65-7FN-230-04	
5b	2	Fan Ass'y 10HP-Fixed Noz. 575V-4" Post	65-7FN-575-04	
6a	1	Fan Ass'y 10HP-Smart Noz. 230/460V-4" Post	65-7SN-230-LH	
6b	1	Fan Ass'y 10HP-Smart Noz. 575V-4" Post	65-7SN-575-LH	
7	8	HHCS 1/2-13 x 1 1/4" SS	82-508-020-SIC	
8	38	Washer SS Lock 1/2"	80-908-000-SI	
9	4	Tube End Cap	65-351-00-MP	
10	4	HHCS 1/2-13 x 2" SS	82-508-032-sic	
11	58	Washer SS Flat 1/2"	80-208-000-SI	
12	16	Nylock Nut SS 1/2"-13	85-008-000-SIC	
13	2	Anti Vibration Pad	65-015-00-MP	
14	18	Plug Button 9/16" Dia	90-055-09-PP	
15	4	Plug Button 5/8" Dia	90-055-10-PP	
16	3	Fan Inlet Ring	65-700-10-PP	
17	3	Fan Inlet SS Wire Mesh	65-700-07-PP	
18	3	Fan Inlet Cone	65-700-04-PP	
19	3	QD Bushing Browning #SD 1-3/8"	65-716-02-PP	
20	3	Fan Wheel Assembly Complete	65-716-00-MP	
21	3	Fan Housing Assembly	65-714-00-MP	
22	6	Retaining Ring	65-714-01-MP	
23	3	Fan Back Plate	65-700-02-PP	
24a	3	Motor Electric 10HP 3PH 230/406V	70-700-00-PP	
24b	3	Motor Electric 10HP 3PH 575V	70-700-04-PP	
25	3	Pivot Assembly-Motor Mount	65-704-00-SG	
26	3	Clamping Bar-Motor Mount	65-700-14-ZN	
27	3	Clamp/Cradle Assembly-Motor Mount	65-703-00-SG	
28	3	Plate-Motor Mount Clamp	65-700-15-SG	
29	72	HHCS SS 1/4"-20 x 1"	82-504-016-SIC	
30	89	Washer SS Lock 1/4"	80-904-000-SI	
31	101	Washer SS Flat 1/4"	80-104-000-SI	
32	18	Screw SS Flat-Head Phl. 1/4"-20 x 5/8"	83-604-010-SIC	
33	24	HHCS SS 1/2"-13 x 1-1/4"	82-508-020-SIC	
34	6	HHCS PL 1/2"-13 x 3"- Drilled	82-508-048-ZIC	
35	12	HHCS SS 3/8"-16 x 1-1/2"	82-506-024-SIC	
36	25	Washer SS Flat 3/8"	80-106-000-SI	
37	12	Washer SS Lock 3/8"	80-906-000-SI	
38	12	Nut SS Nylock 3/8"-16	85-006-000-SIC	
39	4	HHCS PL 1/2"-13 x 6-1/2" GR5	82-508-104-ZIC	

MACNEIL WASH SYS.

RD-300

TECH-21 DRYER

PAGE #6

<i>Item no.</i>	<i>Req'd</i>	<i>Description</i>	<i>Part no.</i>	<i>Remarks</i>
40	12	HHCS Full Thread 1/4"-20 x 1-3/4" LG. SS	82-604-028-SIC	
41	12	Screw SS Button-HD 1/4"-20 x 1"	83-204-016-SIC	
42	12	Nut SS Nylock 1/4"-20	85-004-000-SIC	
43	2	Fixed Bearing Wheel Assembly	65-744-00-MP	
44	2	Fixed Discharge Cone Retrofit	65-708-10-MP	
45	2	Nylock Nut SS 5/16"-18	82-005-000-SIC	
46	2	Washer SS Lock 5/16"	80-905-000-SI	
47	2	Hub Cap Fixed Nozzle	65-708-02-MP	
48	1	Smart Bearing Wheel Assembly	65-722-00-MP	
49	1	Smart Discharge Cone Retrofit	65-706-10-MP	
50	1	Pin SS Cotter 5/64" X 1"	86-056-012-SI	
51	1	Retaining Ring (35000-01250)	65-706-03-PP	
52	2	Ball Bearings SS 6002-2RS	90-195-01-PP	
53	2	3/4" Flat Washer SS	80-512-000-SI	
54	1	Magnet Bracket	65-706-06-BK	
55	1	Magnet 57065-000 ND	65-718-11-PP	
56	1	#8-32 x 3/4" Pan HD Screw SS	83-508-012-SNC	
57	1	#8-32 Nylock Nut SS	85-008-320-SIC	
58	1	SN Drive & Control Assembly	65-718-00-MP	
59	2	HHCS 1/4-20 x 3/4" SS	82-504-012-SIC	
60	1	Drive Belt	65-718-05-PP	
61	1	Connector Male Recpt 3P (7R306A19A1201)	70-065-03-PP	
62	1	Str Single End Cord 3P (70300B01F1201)	70-065-04-PP	
63	1	Cnctr Female Recpt 5P (8R5A00A18A1201)	70-065-05-PP	
64	1	Str. Single End Cord 5P (805006B02M04)	70-065-06-PP	
65	1	Control and Motor Housing Assembly	65-717-00-MP	
66	1	End Plate - Motor Housing	65-760-01-MP	
67	1	Fiber Optic Terminal Plate	65-718-19-PP	
68	7.25	3M #4910 VHB Clr Adhesive Tape (Double Sided)	33-950-03-1CL	
69	1	Control Board Assembly	65-733-00-MP	
70	1	Servo Motor Pre-Assembly	65-728-00-MP	
71	1	S8E1-05024B Power Supply	70-654-00-MP	
72	6	Washer #4 Flat SS	80-104-000-SN	
73	14	Lock Washer #8 SS	80-908-000-SN	
74	2	Screw Pan HD Phl #4-40 x 1/4" SS	83-504-004-SNC	
75	8	Screw Pan HD Phl #8-32 x 3/4" SS	83-508-012-SNC	
76	2	Screw Flt HD Phl #4-40 x 3/8" SS	83-604-006-SNC	
77	4	Nut #4-40 SS	84-004-000-SNC	
78	14	Wire 22 Awg 19 Strnd 105C Blue	33-600-42-2BU	
79	14	Wire 22 Awg 19 Strnd 105C Brn	33-600-42-2BN	

MACNEIL WASH SYS.

RD-300

TECH-21 DRYER

PAGE #6

Item no.	Req'd	Description	Part no.	Remarks
80	1	Decal "Program 21 V1.08"	36-065-16-PP	
81	1	Fiber Optic Window Blind	65-718-20-PP	
82	1	Screw Pan HD Phl #8-32 x 1/4" SS	83-508-004-SNC	
83	2	O'-Ring Rubber AS-568A-004 Hercules	65-712-03-PP	
84	2	Thumb Screw (Machined) 1/4-28x3/8" SHCS SS	65-718-21-MP	
85	2	Terminal - Fiber Optic (Machined)	65-712-01-MP	
86	2	3/4" Shim Washer SS	80-612-000-SI	Fixed Nozzle Installation
87	2	39/64" Shim Washer SS	80-539-000-SI	Smart Nozzle Installatio
88	1	Tech 21 Fiber Optic Cover Retrofit	75-650-08-MP	
89	1	Torque Value Decal	36-065-28-PP	qty 1/ dryer
90	6	1/8" x 1" S.S. Cotter Pin	86-002-016-SI	

MACNEIL WASH SYS.