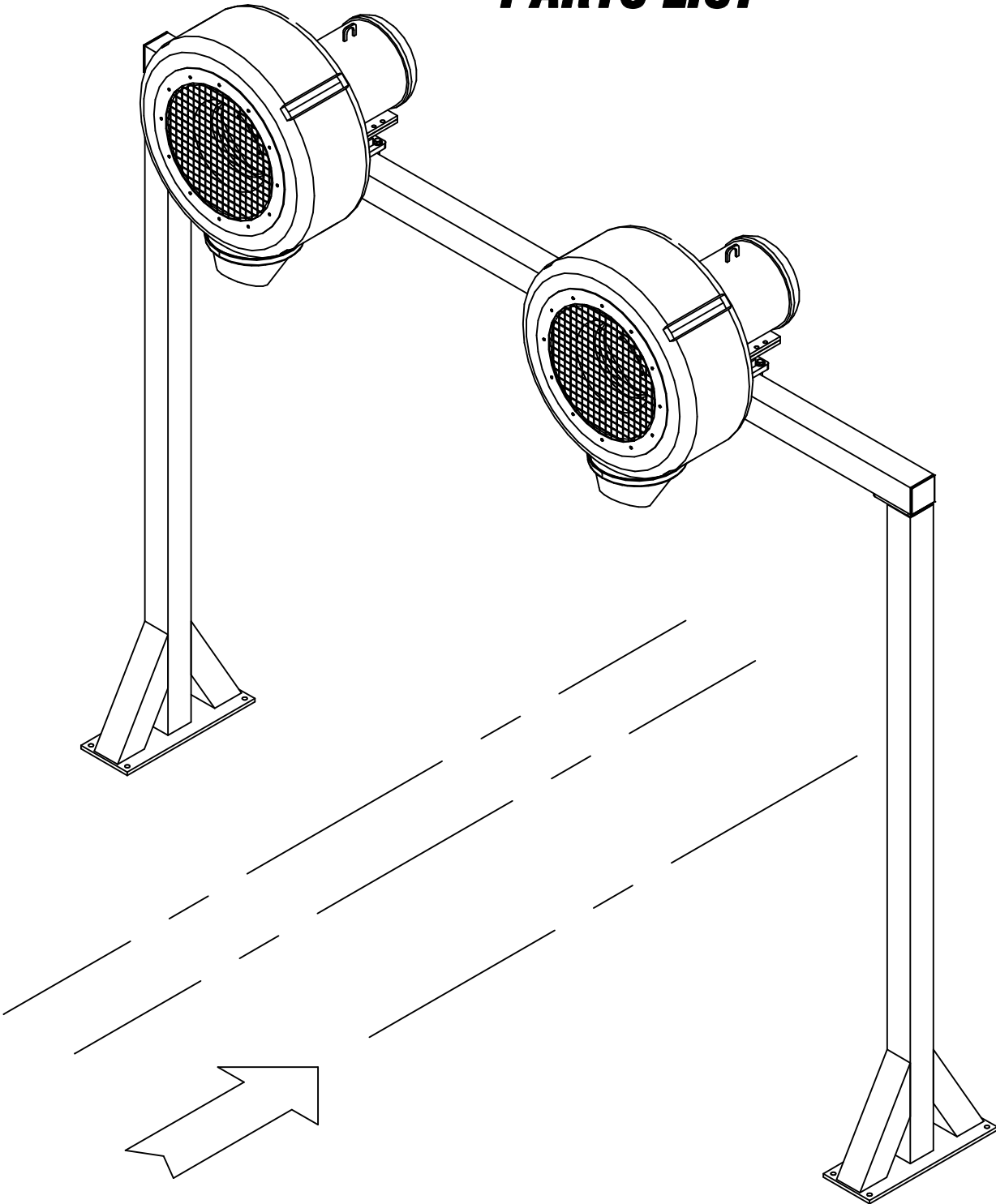




PARTS LIST NO.: EPL-PTECH21 REV."D"
FEB 2003

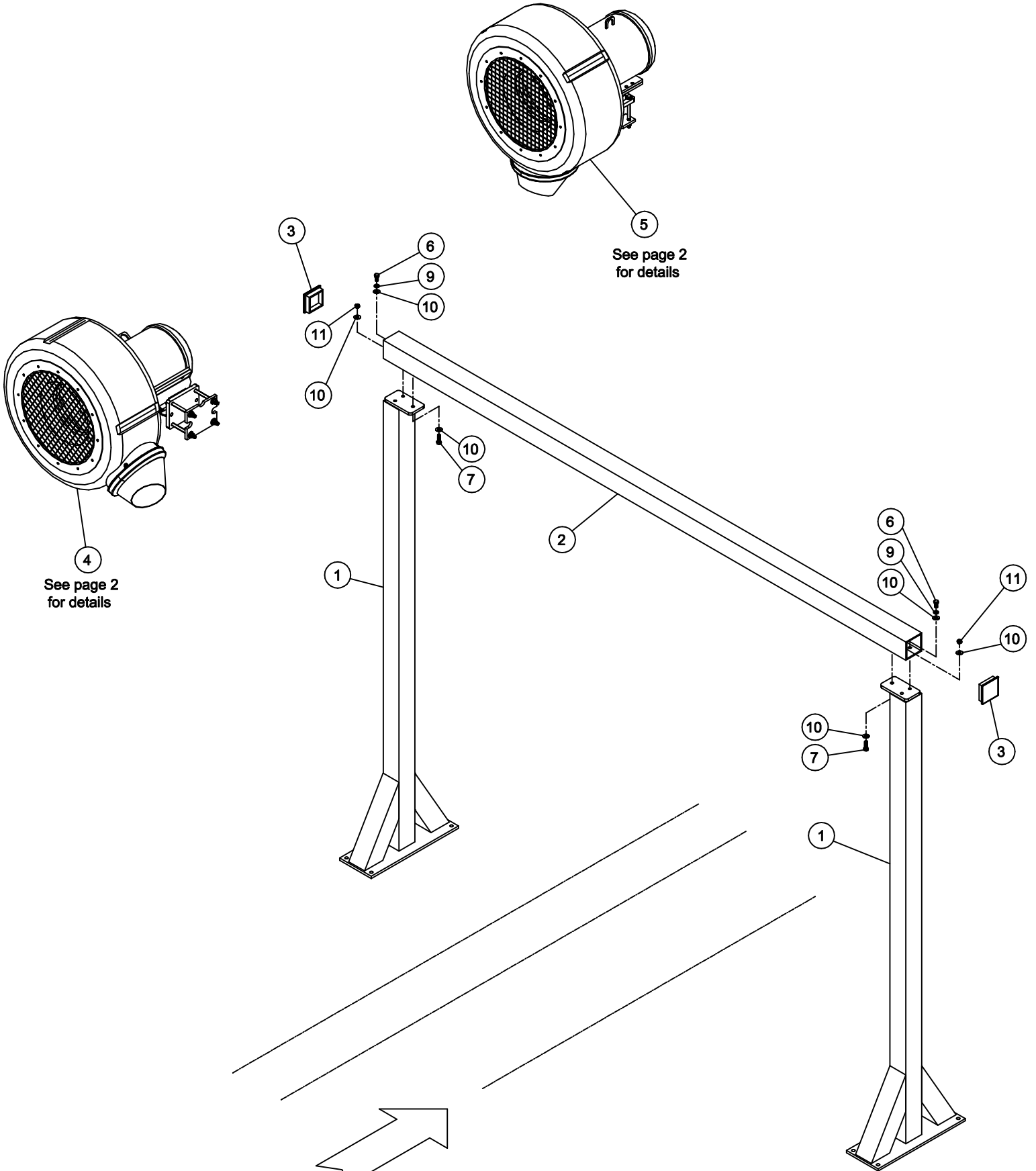
PRO-BUILD Tech 21 Dryer

PARTS LIST

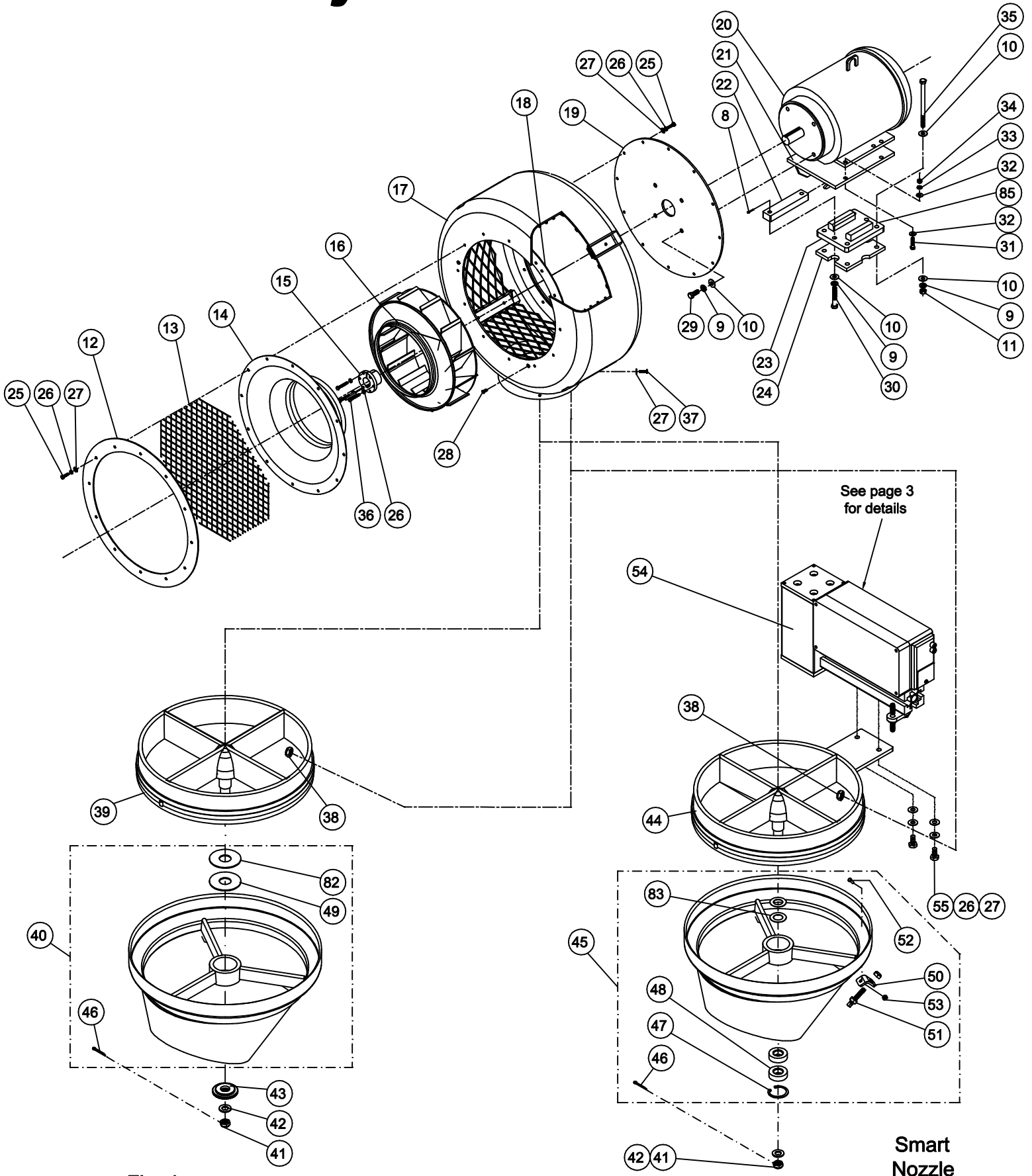


MAGNEIL WASH SYS.

PRO-BUILD Tech 21 Dryer



PRO-BUILD Tech 21 Dryer

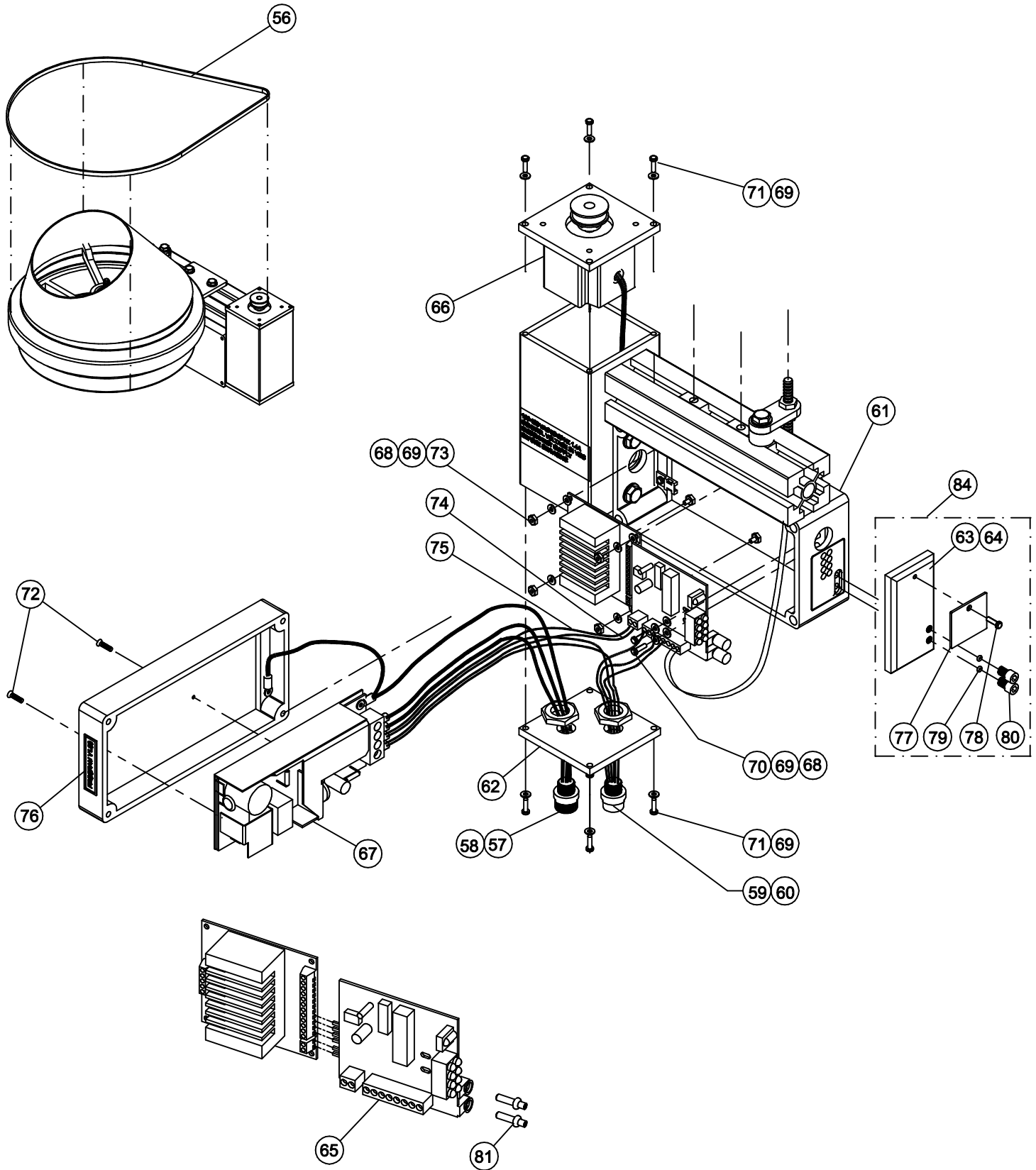


See page 3
for details

Fixed
Nozzle

Smart
Nozzle

PRO-BUILD Tech 21 Dryer



PRO-BUILD
TECH-21 DRYER

PAGE #4

<i>Item no.</i>	<i>Req'd</i>	<i>Description</i>	<i>Part no.</i>	<i>Remarks</i>
1	2	Side Post Assembly	65-210-00-SG	
2	1	Top Beam Assembly	65-211-00-SG	
3	2	Tube End Cap	65-353-00-PP	
4a	1	Fan Ass'y 10HP-Fixed Noz. 230/460V-4" Post	65-7FN-230-04	
4b	1	Fan Ass'y 10HP-Fixed Noz. 575V-4" Post	65-7FN-575-04	
5a	1	Fan Ass'y 10HP-Smart Noz. 230/460V-4" Post	65-7SN-230-LH	
5b	1	Fan Ass'y 10HP-Smart Noz. 575V-4" Post	65-7SN-575-LH	
6	4	HHCS 1/2"-13 x 1" LG SS	82-508-016-SIC	
7	2	HHCS 1/2"-13 x 1-1/2" LG SS	82-508-024-SIC	
8	2	1/8 x 1" Cotter Pin	86-002-016-SI	
9	16	Washer SS Lock 1/2"	80-908-000-SI	
10	20	Washer SS Flat 1/2"	80-208-000-SI	
11	4	Nylock Nut SS 1/2"-13	85-008-000-SIC	
12	1	Fan Inlet Ring	65-700-10-PP	
13	1	Fan Inlet SS Wire Mesh	65-700-07-PP	
14	1	Fan Inlet Cone	65-700-04-PP	
15	1	QD Bushing Browning #SD 1-3/8"	65-716-02-PP	
16	1	Fan Wheel Assembly Complete	65-716-00-MP	
17	1	Fan Housing Assembly	65-714-00-MP	
18	2	Retaining Ring	65-714-01-MP	
19	1	Fan Back Plate	65-700-02-PP	
20a	1	Motor Electric 10HP 3PH 230/406V	70-700-00-PP	
20b	1	Motor Electric 10HP 3PH 575V	70-700-04-PP	
21	1	Pivot Assembly-Motor Mount	65-704-00-SG	
22	1	Clamping Bar-Motor Mount	65-700-14-ZN	
23	1	Clamp/Cradle Assembly-Motor Mount	65-703-00-SG	
24	1	Plate-Motor Mount Clamp	65-700-15-SG	
25	24	HHCS SS 1/4"-20 x 1"	82-504-016-SIC	
26	30	Washer SS Lock 1/4"	80-904-000-SI	
27	30	Washer SS Flat 1/4"	80-104-000-SI	
28	6	Screw SS Flat-Head Phl. 1/4"-20 x 5/8"	83-604-010-SIC	
29	4	HHCS SS 1/2"-13 x 1-1/4"	82-508-020-SIC	
30	2	HHCS PL 1/2"-13 x 3 1/2"	65-732-01-MP	
31	4	HHCS SS 3/8"-16 x 1-1/2"	82-506-024-SIC	
32	8	Washer SS Flat 3/8"	80-106-000-SI	
33	4	Washer SS Lock 3/8"	80-906-000-SI	
34	4	Nut SS Nylock 3/8"-16	85-006-000-SIC	
35	4	HHCS PL 1/2"-13 x 6-1/2" GR5	82-508-104-ZIC	
36	4	HHCS Full Thread 1/4"-20 x 1-3/4" LG. SS	82-604-028-SIC	
37	4	Screw SS Button-HD 1/4"-20 x 1"	83-204-016-SIC	
38	4	Nut SS Nylock 1/4"-20	85-004-000-SIC	
39	1	Fixed Bearing Wheel Assembly	65-744-00-MP	
40	1	Fixed Discharge Cone Retrofit	65-708-10-MP	

MACNEIL WASH SYS.

PRO-BUILD
TECH-21 DRYER

PAGE #4

<i>Item no.</i>	<i>Req'd</i>	<i>Description</i>	<i>Part no.</i>	<i>Remarks</i>
41	1	Nylock Nut SS 5/16"-18	82-005-000-SIC	
42	1	Washer SS Lock 5/16"	80-905-000-SI	
43	1	Hub Cap Fixed Nozzle	65-708-02-MP	
44	1	Smart Bearing Wheel Assembly	65-722-00-MP	
45	1	Smart Discharge Cone Retrofit	65-706-10-MP	
46	1	Pin SS Cotter 5/64" X 1"	86-056-012-SI	
47	1	Retaining Ring (35000-01250)	65-706-03-PP	
48	2	Ball Bearings SS 6002-2RS	90-195-01-PP	
49	2	3/4" Flat Washer SS	80-512-000-SI	
50	1	Magnet Bracket	65-706-06-BK	
51	1	Magnet 57065-000 ND	65-718-11-PP	
52	1	#8-32 x 3/4" Pan HD Screw SS	83-508-012-SNC	
53	1	#8-32 Nylock Nut SS	85-008-320-SIC	
54	1	SN Drive & Control Assembly	65-718-00-MP	
55	2	HHCS 1/4-20 x 3/4" SS	82-504-012-SIC	
56	1	Drive Belt	65-718-05-PP	
57	1	Connector Male Recpt 3P (7R306A19A1201)	70-065-03-PP	
58	1	Str Single End Cord 3P (70300B01F1201)	70-065-04-PP	
59	1	Cnctr Female Recpt 5P (8R5A00A18A1201)	70-065-05-PP	
60	1	Str. Single End Cord 5P (805006B02M04)	70-065-06-PP	
61	1	Control and Motor Housing Assembly	65-717-00-MP	
62	1	End Plate - Motor Housing	65-760-01-MP	
63	1	Fiber Optic Terminal Plate	65-718-19-PP	
64	7.25	3M #4910 VHB Clr Adhesive Tape (Double Sided)	33-950-03-1CL	
65	1	Control Board Assembly	65-733-00-MP	
66	1	Servo Motor Pre-Assembly	65-728-00-MP	
67	1	S8E1-05024B Power Supply	70-654-00-MP	
68	6	Washer #4 Flat SS	80-104-000-SN	
69	14	Lock Washer #8 SS	80-908-000-SN	
70	2	Screw Pan HD Phl #4-40 x 1/4" SS	83-504-004-SNC	
71	8	Screw Pan HD Phl #8-32 x 3/4" SS	83-508-012-SNC	
72	2	Screw Flt HD Phl #4-40 x 3/8" SS	83-604-006-SNC	
73	4	Nut #4-40 SS	84-004-000-SNC	
74	14	Wire 22 Awg 19 Strnd 105C Blue	33-600-42-2BU	
75	14	Wire 22 Awg 19 Strnd 105C Brn	33-600-42-2BN	
76	1	Decal "Program 21 V1.08"	36-065-16-PP	
77	1	Fiber Optic Window Blind	65-718-20-PP	
78	1	Screw Pan HD Phl #8-32 x 1/4" SS	83-508-004-SNC	
79	2	O'-Ring Rubber AS-568A-004 Hercules	65-712-03-PP	
80	2	Thumb Screw (Machined) 1/4-28x3/8" SHCS SS	65-718-21-MP	
81	2	Terminal - Fiber Optic (Machined)	65-712-01-MP	

MACNEIL WASH SYS.

PRO-BUILD
TECH-21 DRYER

PAGE #4

Item no.	Req'd	Description	Part no.	Remarks
82	2	3/4" Shim Washer SS	80-612-000-SI	Fixed Nozzle Installation
83	2	39/64" Shim Washer SS	80-539-000-SI	Smart Nozzle Installation
84	1	Tech 21 Fiber Optic Cover Retrofit	75-650-08-MP	

MACNEIL WASH SYS.