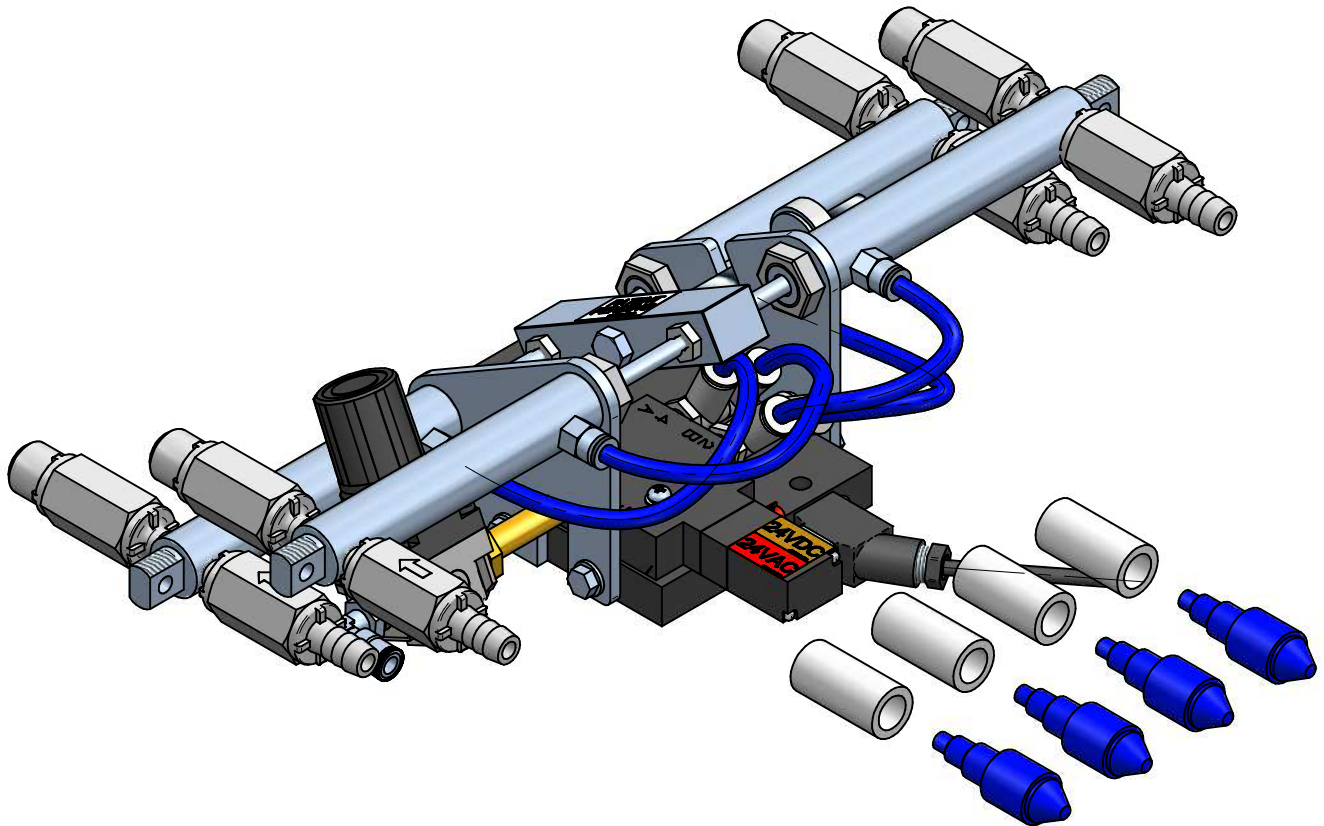




4G-900/910 GLOSSBOSS CHEMICAL PUMP 24V/110V
DOCUMENT #EPL- 4G-900/910-00-MP

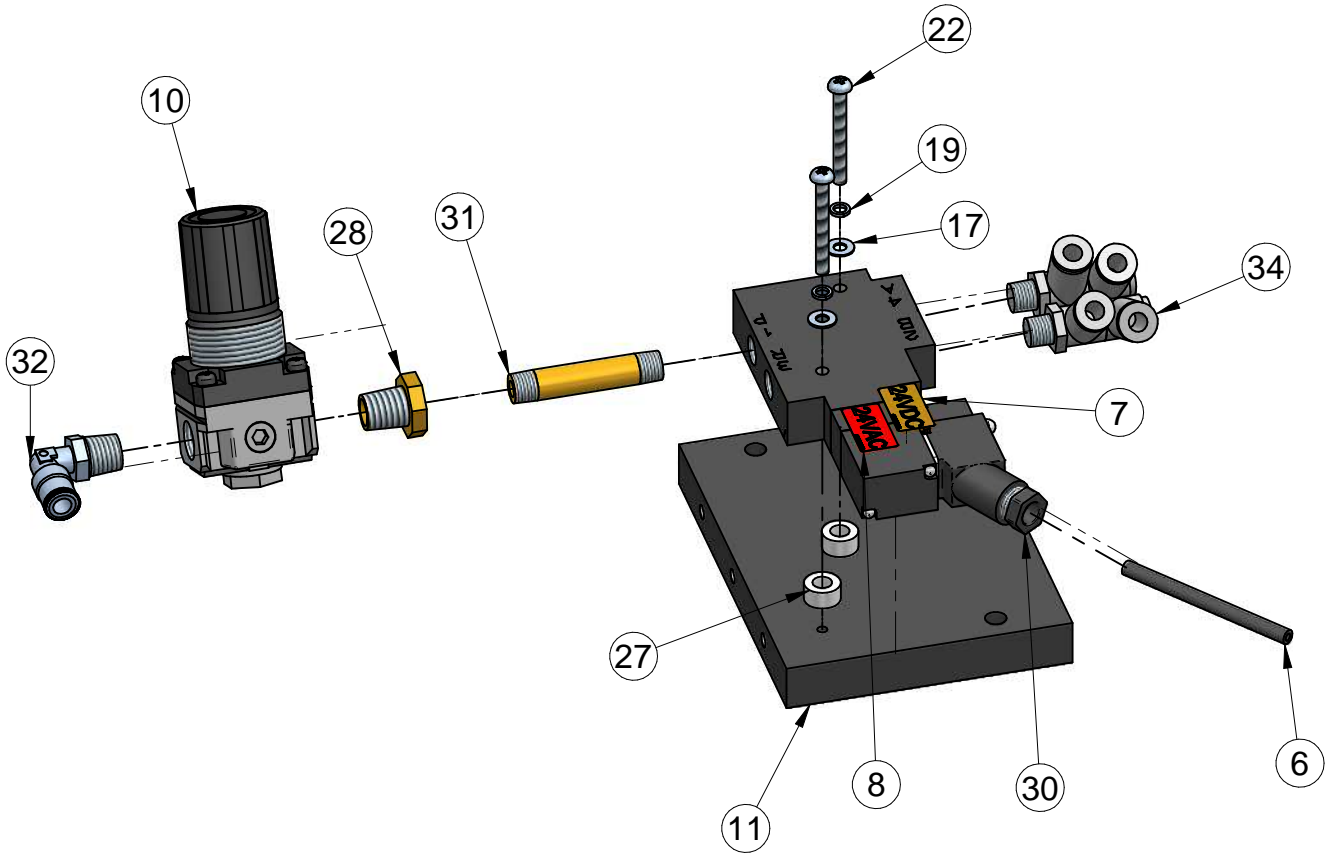


90 Welham Road, Barrie, Ontario 705-722-7649		
TITLE GLOSS BOSS CHEMICAL PUMP 24V/110V		
PART NO EPL- 4G-900/910-00-MP	DWG NO EPL- 4G-900/910-00-MP	REV A
DATE: March, 2015	SHEET 1 OF 7	

MacNeil Wash Systems- Parts List

4G-900/910-MP
GLOSSBOSS CHEMICAL PUMP 24V/110V
DOCUMENT #EPL- 4G-900/910-00-MP

ASSEMBLY VIEW
#4G-900-00-MP (24V, SHOWN)
#4G-910-00-MP (110V)



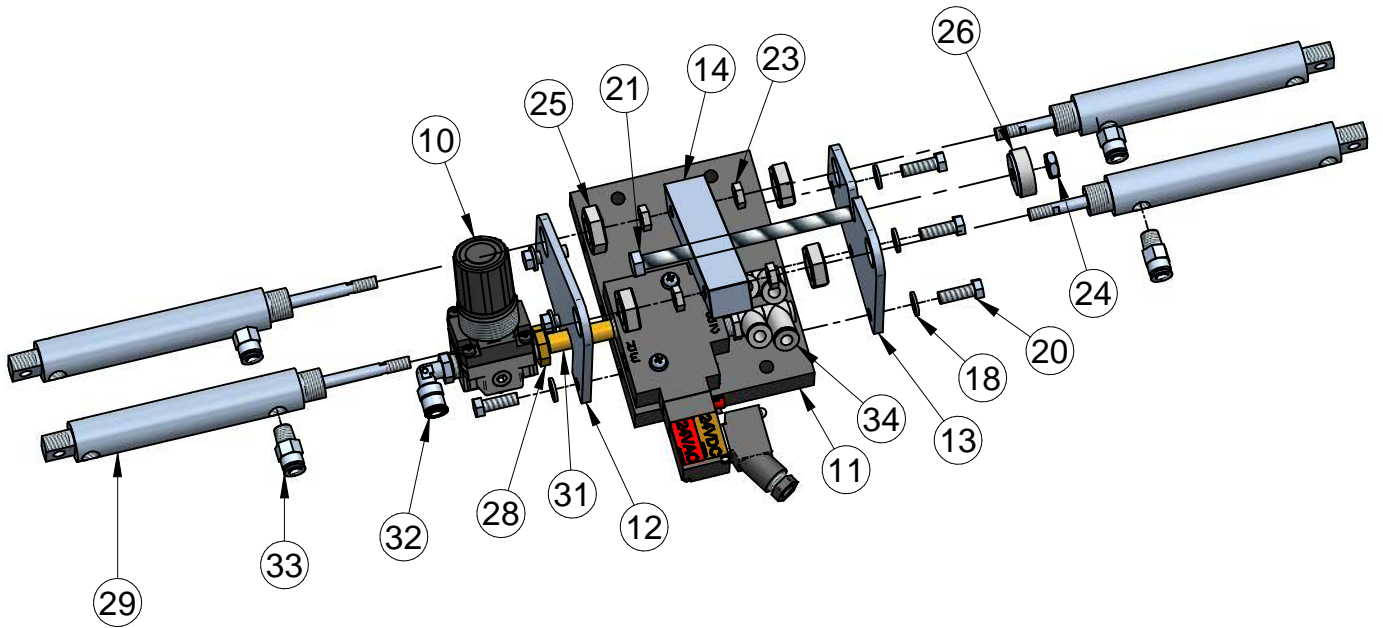
90 Welham Road, Barrie, Ontario 705-722-7649

TITLE GLOSS BOSS CHEMICAL PUMP 24V/110V			
PART NO EPL- 4G-900/910-00-MP	DWG NO EPL- 4G-900/910-00-MP	REV A	
DATE: March, 2015		SHEET 2 OF 7	

MacNeil Wash Systems- Parts List

4G-900/910-MP
GLOSSBOSS CHEMICAL PUMP 24V/110V
DOCUMENT #EPL- 4G-900/910-00-MP

ASSEMBLY VIEW
#4G-900-00-MP (24V, SHOWN)
#4G-910-00-MP (110V)

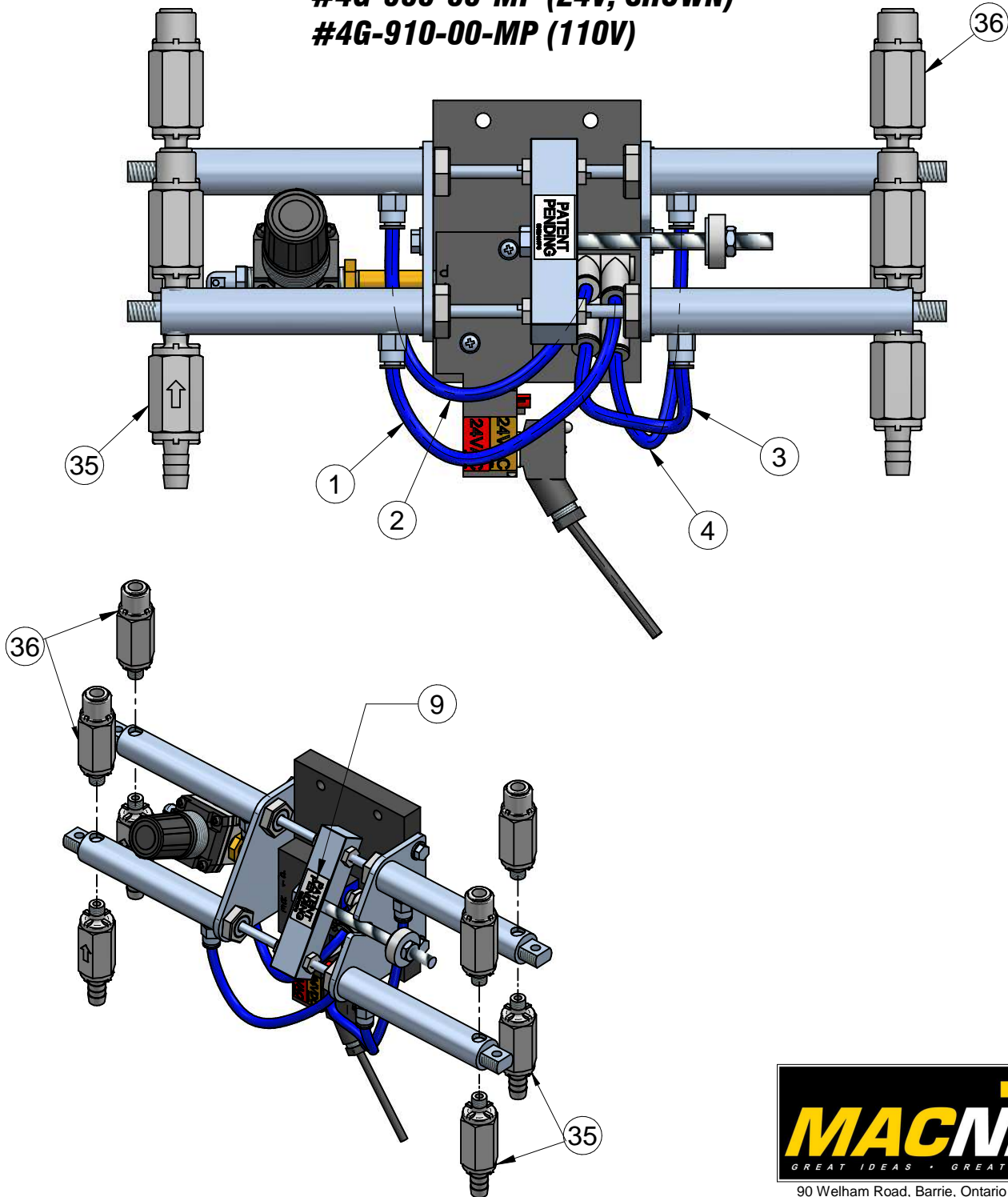


90 Welham Road, Barrie, Ontario 705-722-7649		
TITLE GLOSS BOSS CHEMICAL PUMP 24V/110V		
PART NO EPL- 4G-900/910-00-MP	DWG NO EPL- 4G-900/910-00-MP	REV A
DATE: March, 2015	SHEET 3 OF 7	

MacNeil Wash Systems- Parts List

4G-900/910-MP
GLOSSBOSS CHEMICAL PUMP 24V/110V
DOCUMENT #EPL- 4G-900/910-00-MP

ASSEMBLY VIEW
#4G-900-00-MP (24V, SHOWN)
#4G-910-00-MP (110V)



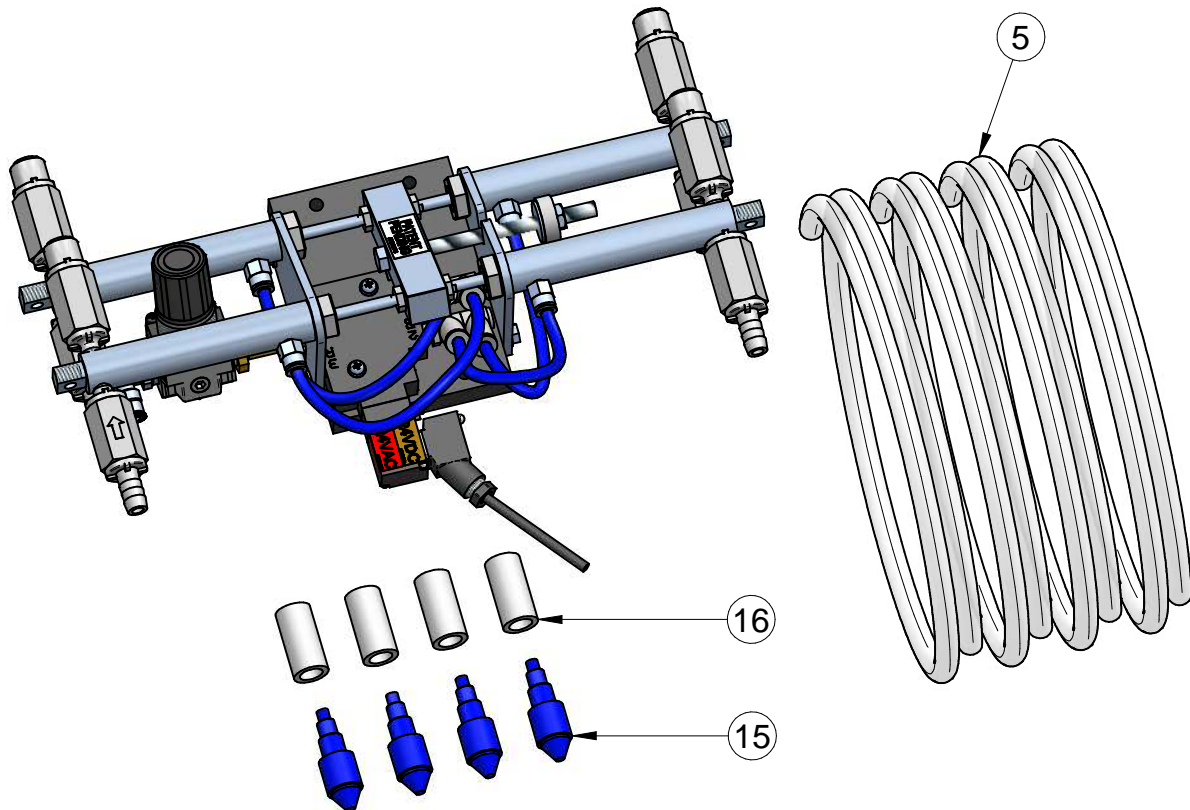
90 Welham Road, Barrie, Ontario 705-722-7649

TITLE GLOSS BOSS CHEMICAL PUMP 24V/110V		
PART NO EPL- 4G-900/910-00-MP	DWG NO EPL- 4G-900/910-00-MP	REV A
DATE: March, 2015	SHEET 4 OF 7	

MacNeil Wash Systems- Parts List

4G-900/910-MP
GLOSSBOSS CHEMICAL PUMP 24V/110V
DOCUMENT #EPL- 4G-900/910-00-MP

ASSEMBLY VIEW
#4G-900-00-MP (24V, SHOWN)
#4G-910-00-MP (110V)



MacNeil Wash Systems- Parts List



90 Welham Road, Barrie, Ontario 705-722-7649		
TITLE GLOSS BOSS CHEMICAL PUMP 24V/110V		
PART NO EPL- 4G-900/910-00-MP	DWG NO EPL- 4G-900/910-00-MP	REV A
DATE: March, 2015	SHEET 5 OF 7	

4G-900/910-MP
GLOSSBOSS CHEMICAL PUMP 24V/110V
DOCUMENT #EPL- 4G-900/910-00-MP

PART LIST

REF.	DESCRIPTION	PART NUMBER	QTY.
1	TUBE NY BLUE .250"ODx.180 ID 10" LONG	33-361-20-4BU	1
2	TUBE NY BLUE .250"ODx.180 ID 8" LONG	33-361-20-4BU	1
3	TUBE NY BLUE .250"OD - 6"	33-361-20-4BU	1
4	TUBE NY BLUE .250"OD- 9"	33-361-20-4BU	1
5	TUBE POLYEHYLENE CLEAR 1/2"OD, 3/8"ID, 24FT LONG (CUT 4 x 6FT)	33-361-60-8CL	1
6	WIRE 18 GA 3 STND SVT STR BLK 45"	33-600-41-5BK	1
* 7	DECAL '24VDC'	36-059-23-PP	1
* 8	DECAL '24VAC'	36-059-24-PP	1
9	DECAL 'PATENT PENDING' BLK ON WHITE	36-065-14-PP	1
10	AIR REGULATOR 1/4" NAR2000 NO2	44-101-01-PP	1
11	Chemical Pump Wall Plate	4G-900-01-BK	1
12	Chemical Pump Side Plate Left	4G-900-02-MP	1
13	Chemical Pump Side Plate Right	4G-900-03-MP	1
14	Chemical Pump Shuttle	4G-900-05-MP	1
15	Foot Valve Hose Barb 1/2", 3/8", & 1/4"	70-500-08-PP	4
16	Tubing Weight 3/8" ID, 1/2 ODTube	70-500-09-PP	4
17	FLAT WASHER SS #8	80-108-000-SN	2
18	WSHR SS FLAT SMALL-OD 1/4"	80-304-000-SI	6

PART FOR 4G-910-00-MP (110V)

* 7	DECAL '110V'	36-059-10-PP	1
-----	--------------	--------------	---



90 Welham Road, Barrie, Ontario 705-722-7649			
TITLE GLOSS BOSS CHEMICAL PUMP 24V/110V			
PART NO EPL- 4G-900/910-00-MP	DWG NO EPL- 4G-900/910-00-MP	REV A	
DATE: March, 2015	SHEET 6 OF 7		

MacNeil Wash Systems- Parts List

4G-900/910-MP
GLOSSBOSS CHEMICAL PUMP 24V/110V
DOCUMENT #EPL- 4G-900/910-00-MP

PART LIST

REF.	DESCRIPTION	PART NUMBER	QTY.
19	LOCK WASHER SS #8	80-908-000-SN	2
20	HHCS SS 1/4"-20 x 3/4"	82-504-012-SIC	6
21	HHCS SS 5/16"-18 UNC 4-1/2" FULL THREAD	82-605-072-SIC	1
22	SCREW PHL PAN-HD SS #8-32 x 1 1/2"	83-508-024-SNC	2
23	JAM NUT SS 1/4"-28	84-104-000-SIF	4
24	NUT SS JAM 5/16"-18 UNC	84-105-000-SIC	1
25	NUT SS JAM 5/8"-18	84-110-000-SIF	4
26	Thumb Nut Knurled 5/16"-18 UNC	84-508-001-PP	1
27	SPACER NYLON 1/2"DIA x 1/4" SP217	89-008-004-NI	2
28	BUSHING REDUCER 1/4" MNPT-1/8" FNPT BR 110-BA	90-030-00-PP	1
29	Cylinder 3/4" Bore x 2" Stroke Extra Port	90-100-23-PP	4
* 30	VALVE 4-WAY BURKERT 24V 08352 c/w Din Plug	90-135-00-PP	1
31	Nipple 1/8" NPT 2" Length	90-208-24-PP	1
32	FTG ELB SWV 1/4"TBE-1/4"MPT	90-223-06-PP	1
33	TUBE CONNECTOR 1/4", 1/8"NPT	90-230-05-PP	4
34	Double Universal Elbow Male 1/4" Tube 1/8 NPT	90-230-12-PP	2
35	Check Valve 3/8" Hose Barb 1/8" MNPT	90-231-05-PP	4
36	Check Valve 1/8" MNPT 3/8" Push Tube	90-231-06-PP	4

PART FOR 4G-910-00-MP (110V)

* 30	VALVE 4-WAY BURKERT 110V w/ DIN PLUG	90-135-01-PP	1
------	--------------------------------------	--------------	---



90 Welham Road, Barrie, Ontario 705-722-7649			
TITLE GLOSS BOSS CHEMICAL PUMP 24V/110V			
PART NO EPL- 4G-900/910-00-MP	DWG NO EPL- 4G-900/910-00-MP	REV A	
DATE: March, 2015	SHEET 7 OF 7		

MacNeil Wash Systems- Parts List