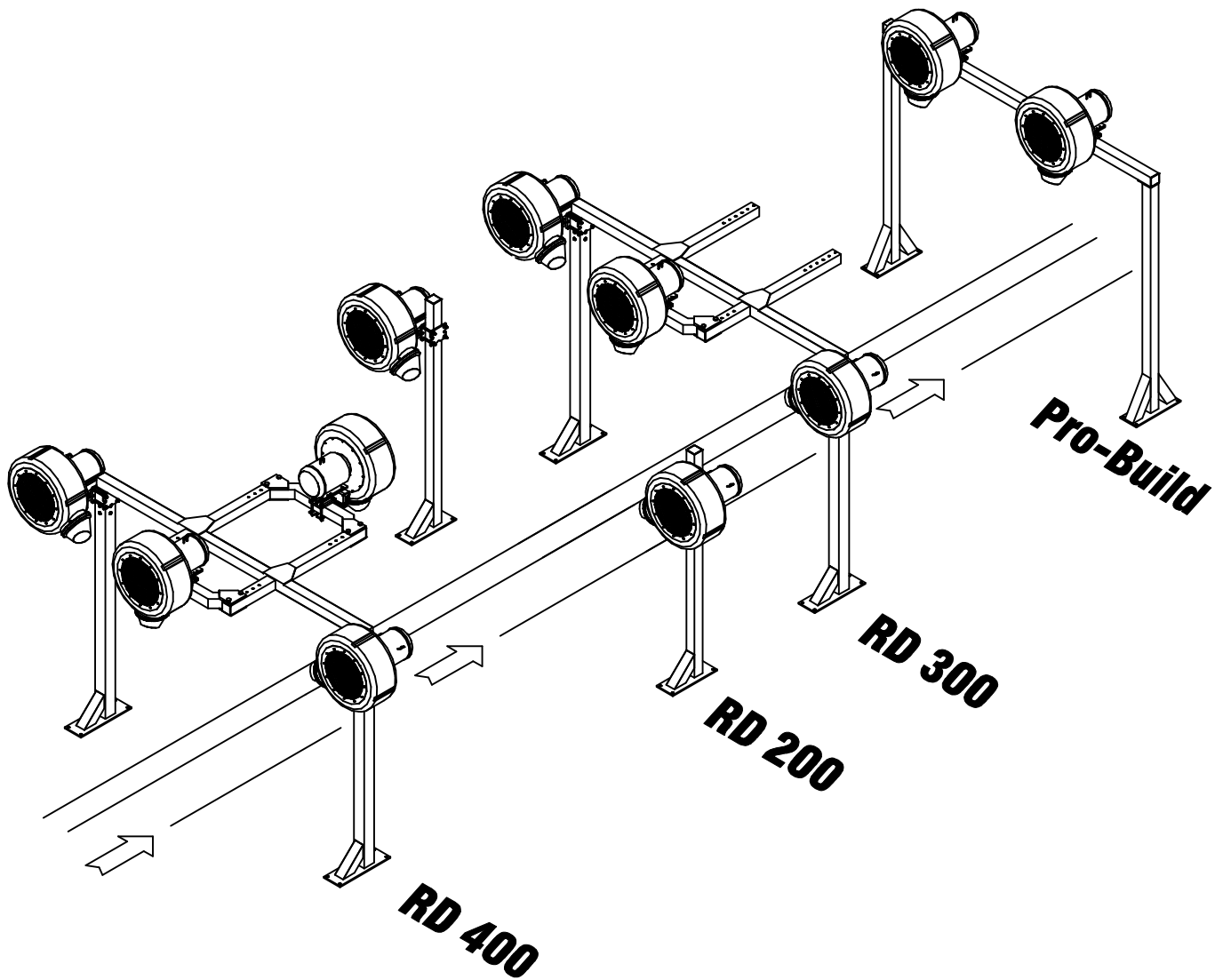




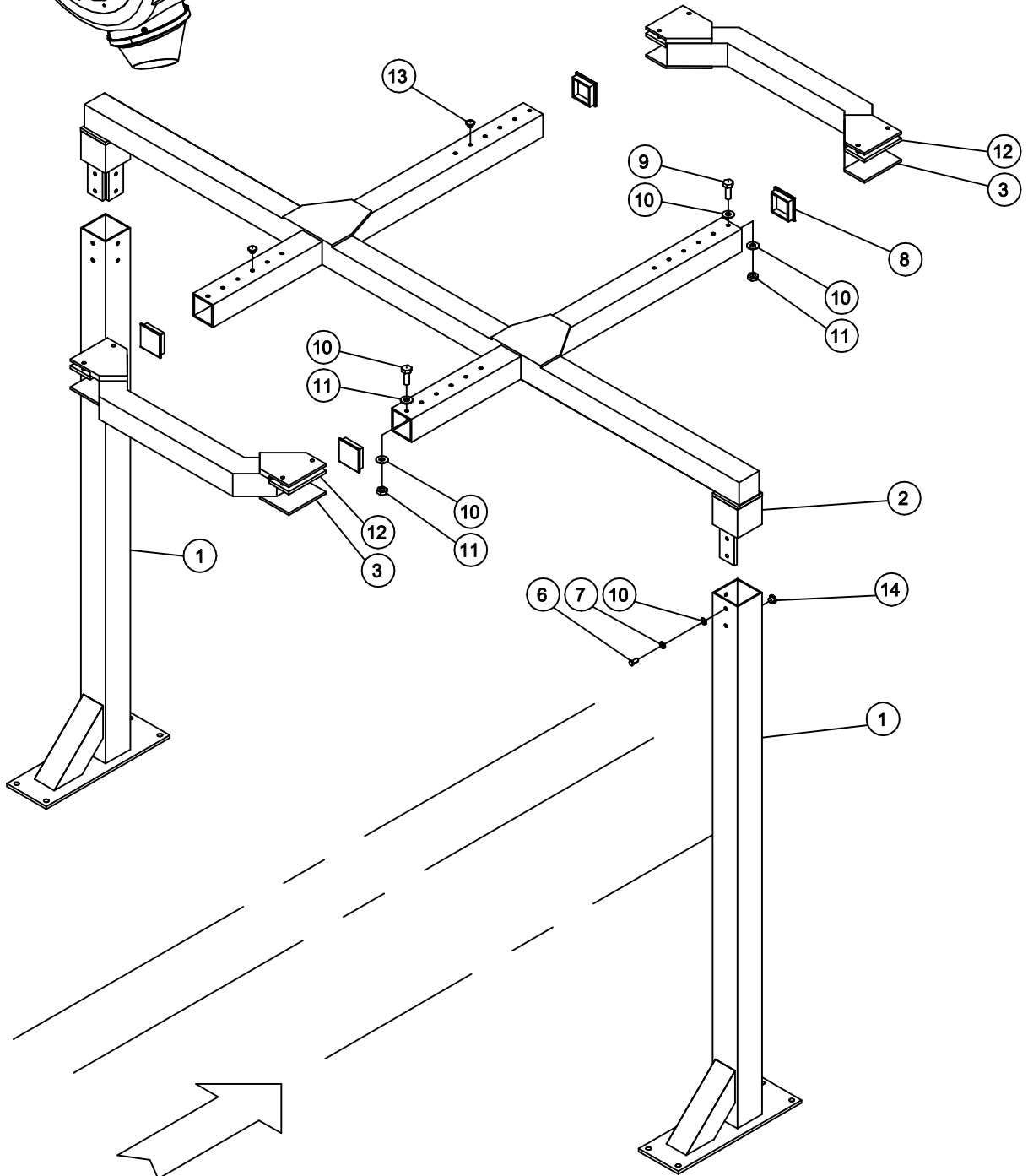
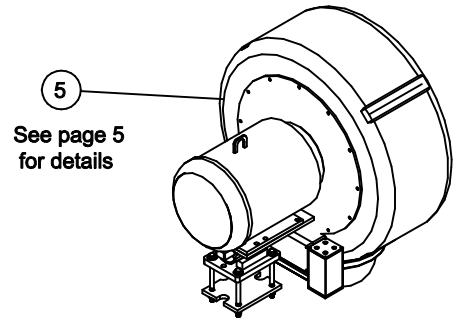
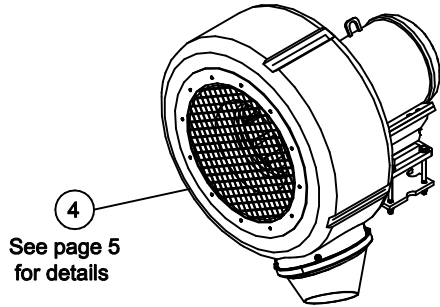
Tech 21 Dryer

PARTS LIST

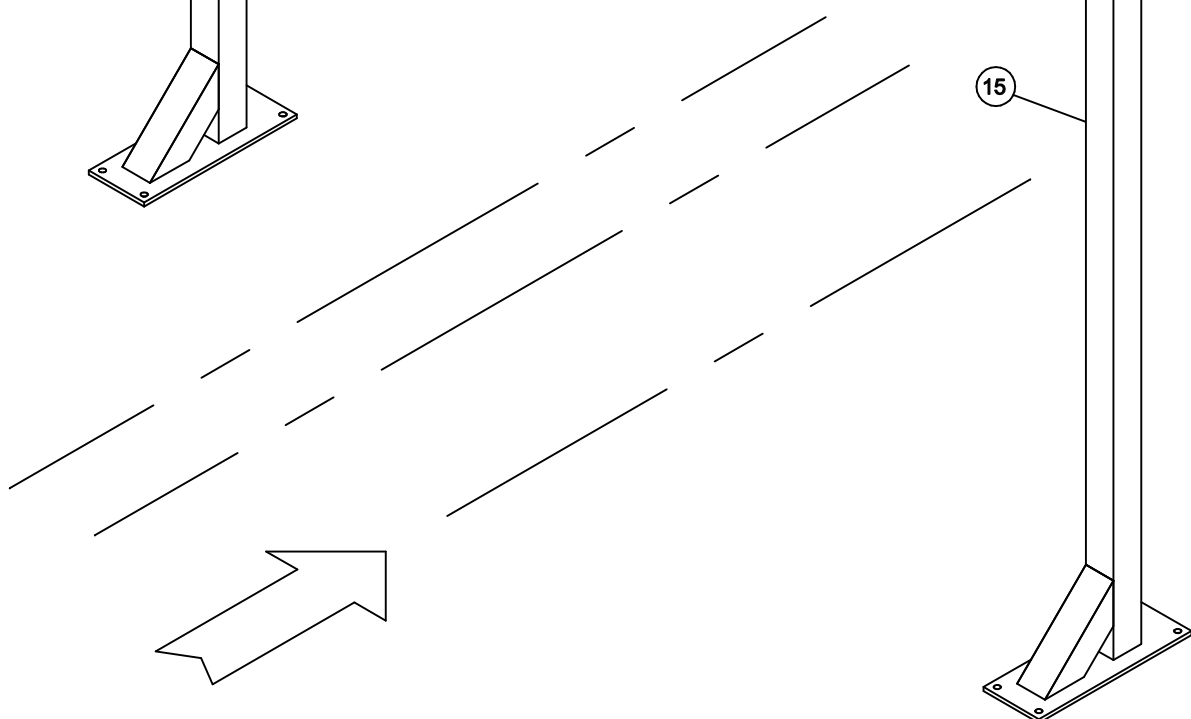
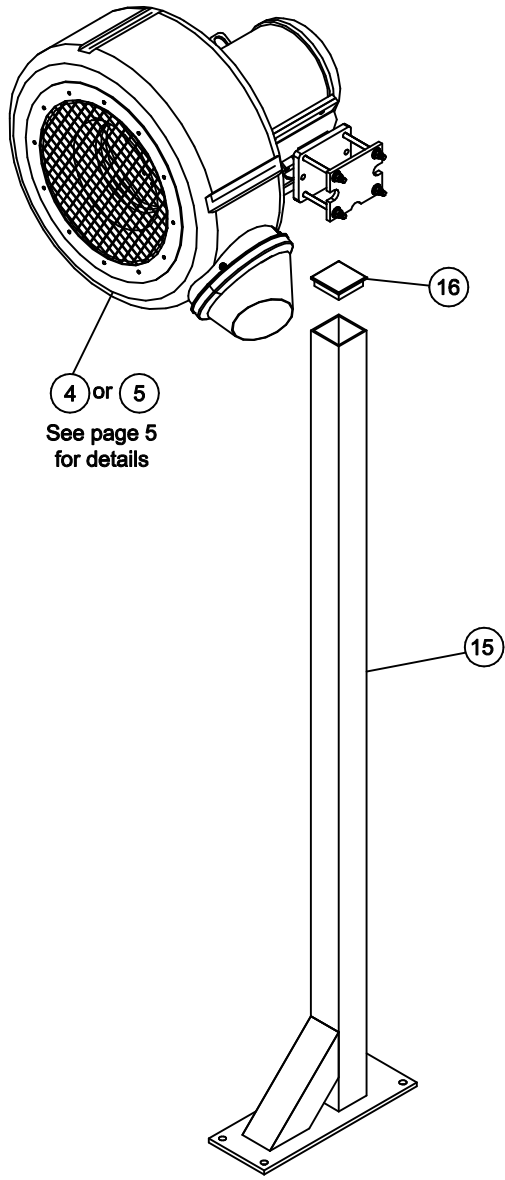


MACNEIL WASH SYS.

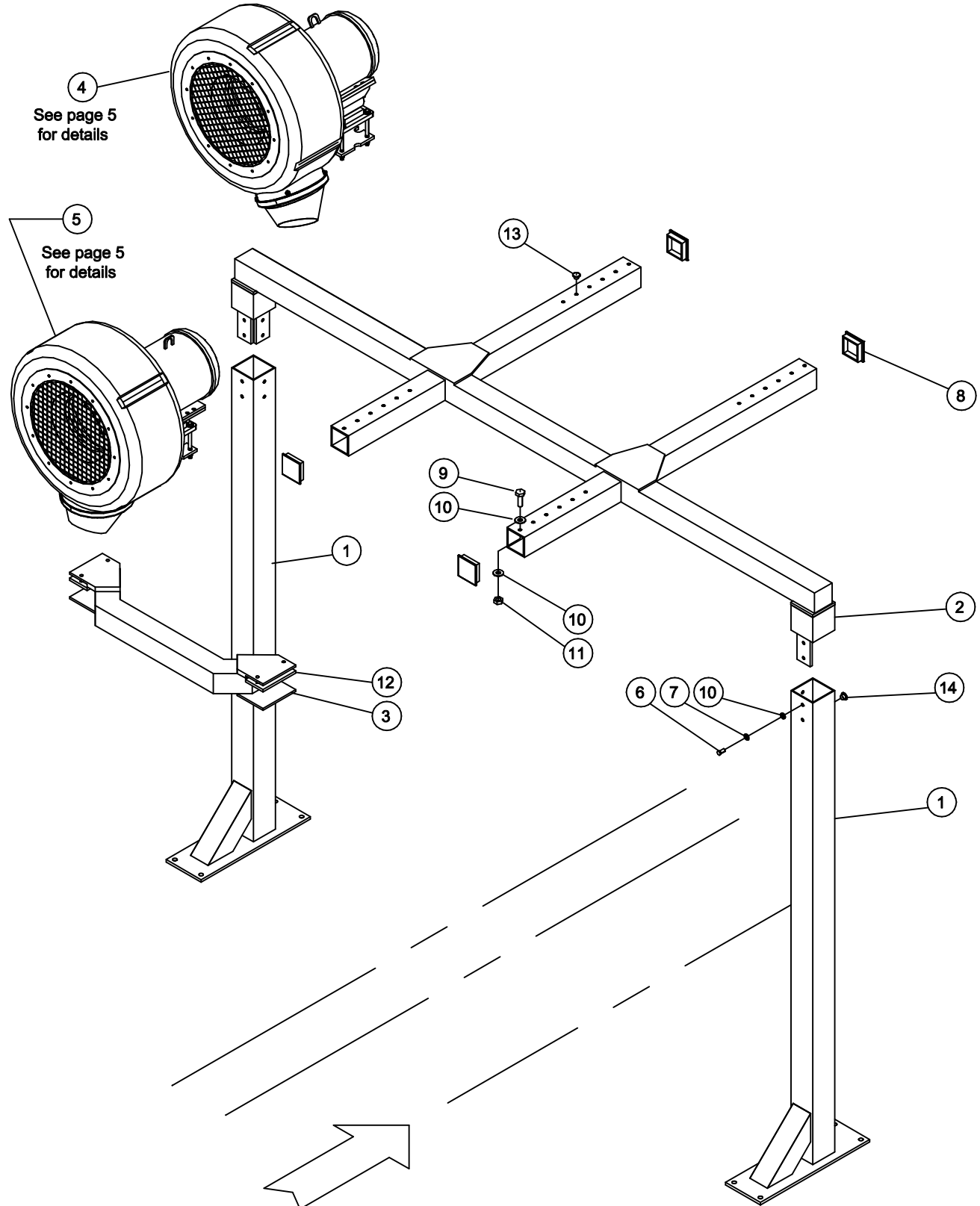
RD-400 Tech 21 Dryer



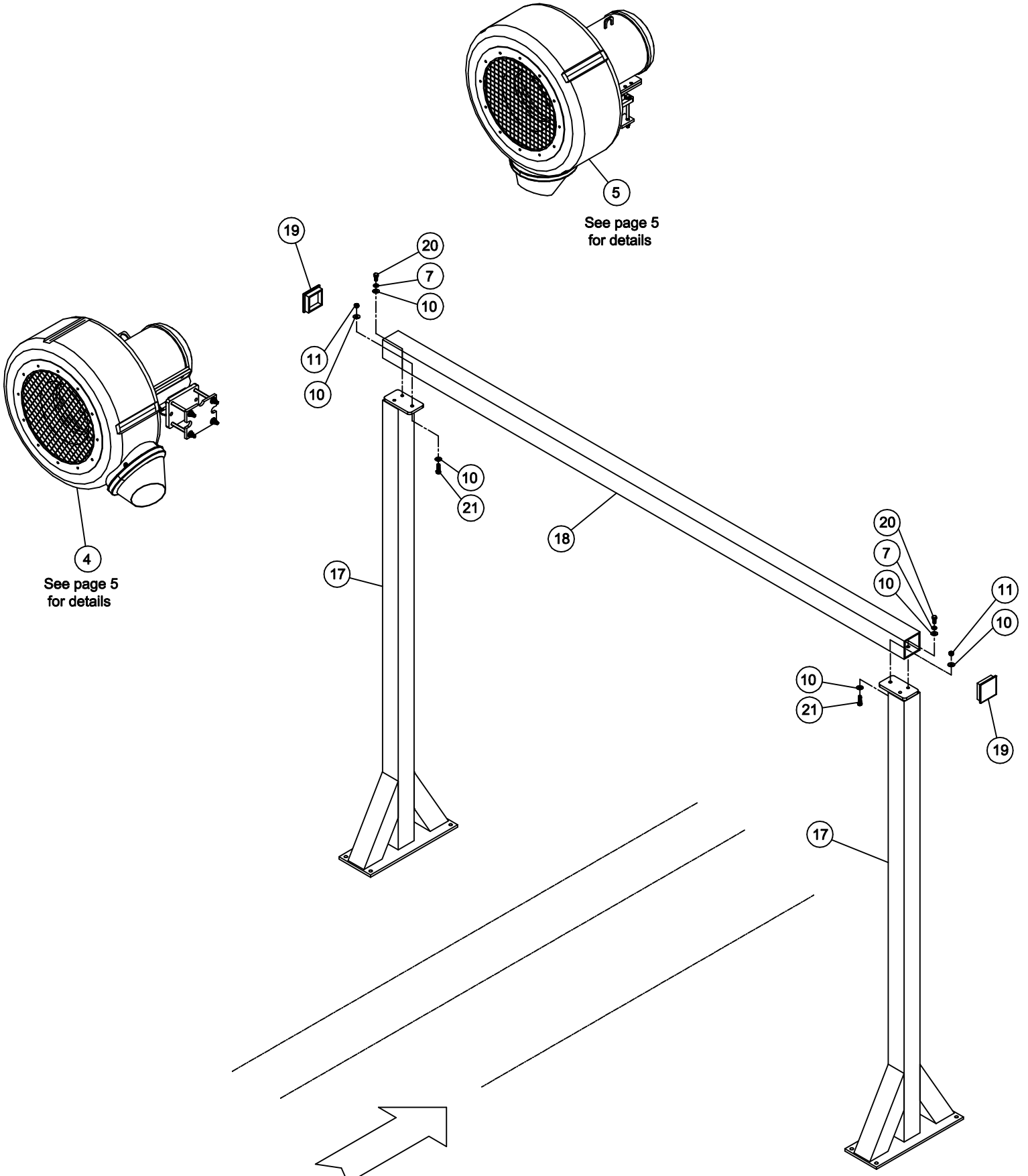
RD-200 Tech 21 Dryer



RD-300 Tech 21 Dryer

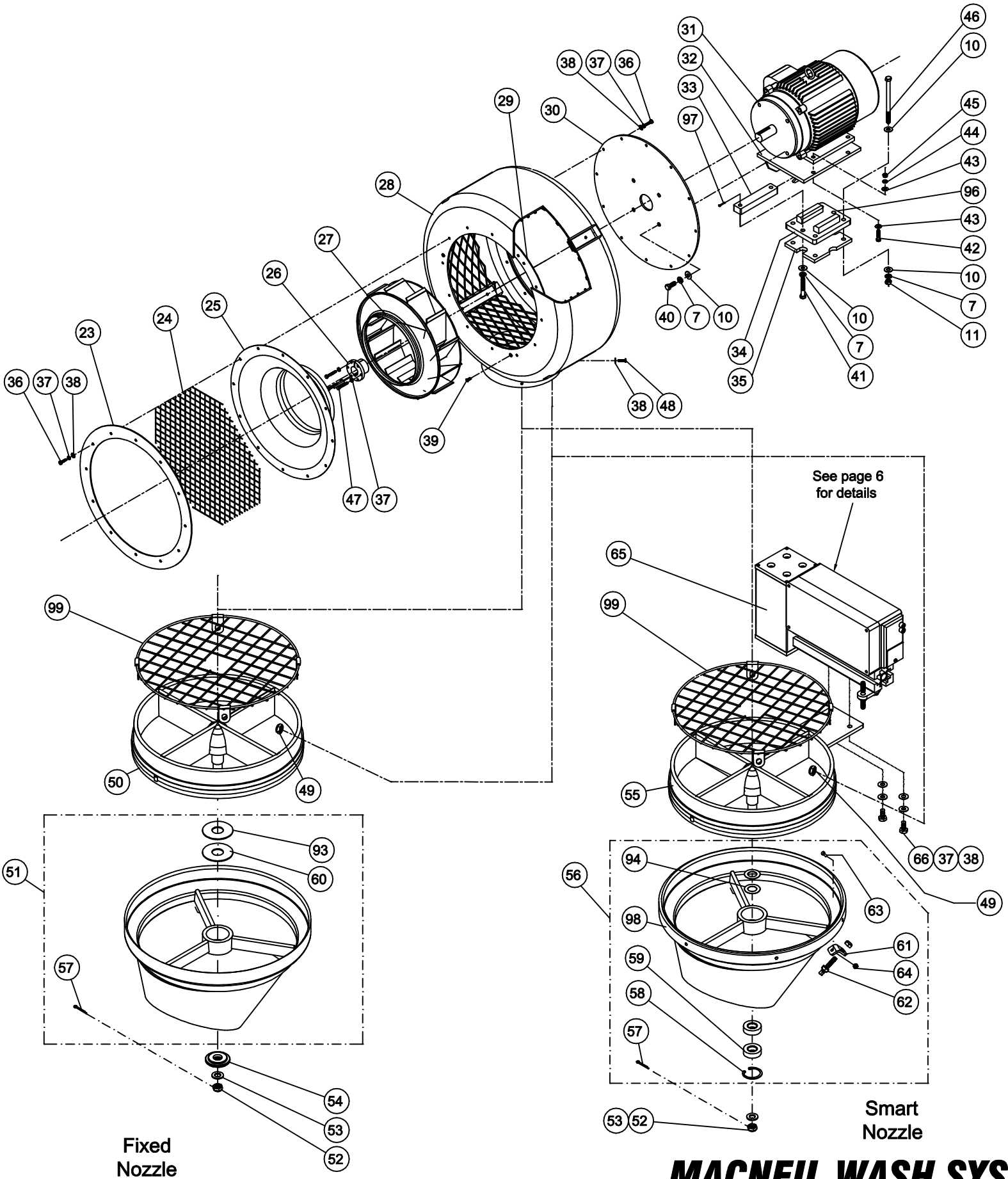


PRO-BUILD Tech 21 Dryer

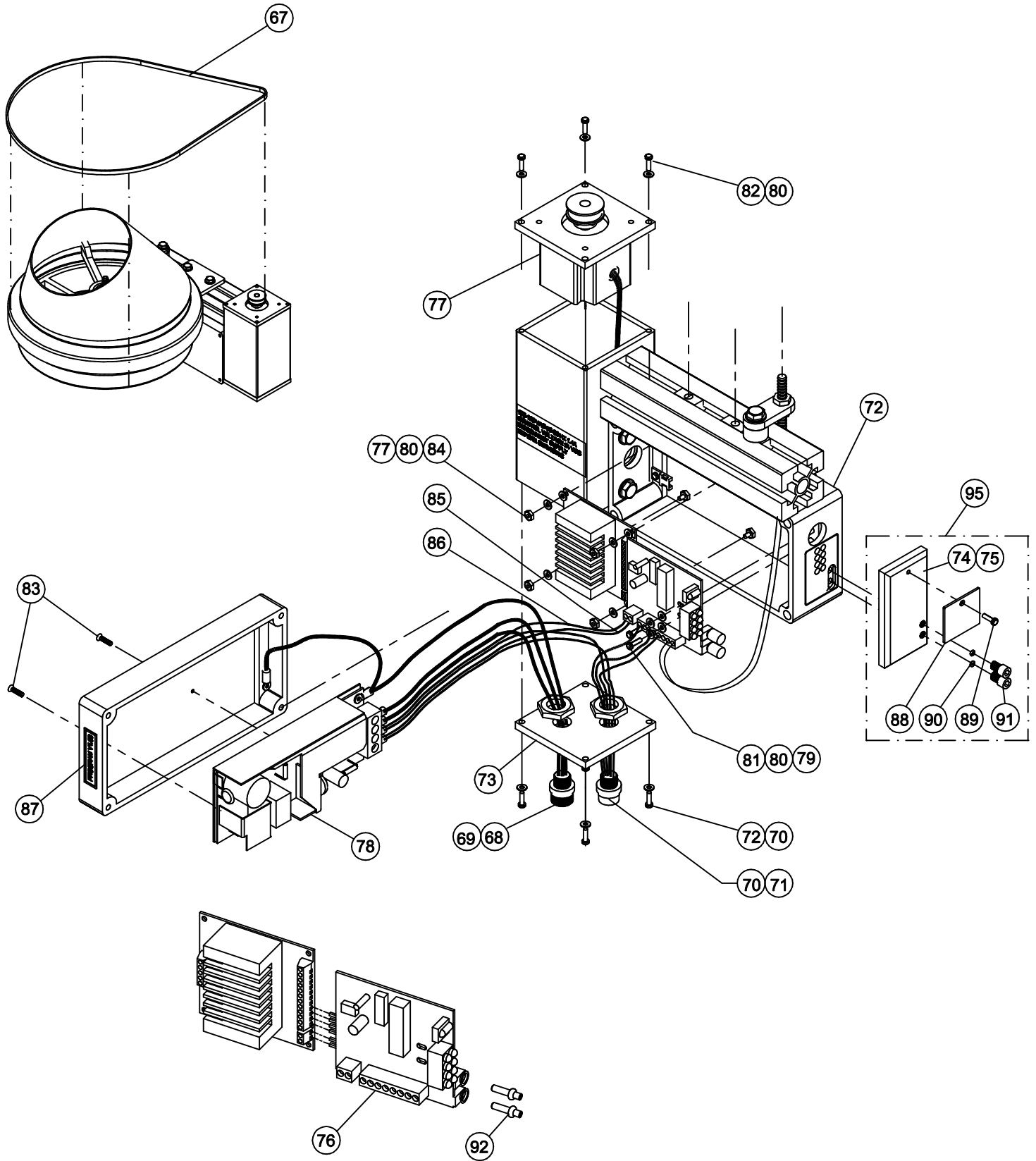


See page 5
for details

See page 5
for details



Tech 21 Dryer



Item no.	Req'd	Description	Part no.	Remarks
1	2	Dryer Post	65-010-00-SG	
2	1	Dryer Bridge	65-050-00-MP	
3	1	Dryer Fan Support	65-100-00-MP	
4a	2	Fan Ass'y 10HP-Fixed Noz. 230/460V-4" Post	65-7FN-230-04	
4b	2	Fan Ass'y 10HP-Fixed Noz. 575V-4" Post	65-7FN-575-04	
5a	1	Fan Ass'y 10HP-Smart Noz. 230/460V-4" Post	65-7SN-230-LH	
5b	1	Fan Ass'y 10HP-Smart Noz. 575V-4" Post	65-7SN-575-LH	
6	8	HHCS 1/2-13 x 1 1/4" SS	82-508-020-SIC	
7	48	Washer SS Lock 1/2"	80-908-000-SI	
8	4	Tube End Cap	65-351-00-MP	
9	8	HHCS 1/2-13 x 2" SS	82-508-032-sic	
10	88	Washer SS Flat 1/2"	80-208-000-SI	
11	24	Nylock Nut SS 1/2"-13	85-008-000-SIC	
12	4	Anti Vibration Pad	65-015-00-MP	
13	12	Plug Button 9/16" Dia	90-055-09-PP	
14	4	Plug Button 5/8" Dia	90-055-10-PP	
15	2	Side Booster Dryer Post Assembly	65-030-00-SG	
16	2	Tube End Cap	65-350-00-PP	
17	2	Side Post Assembly	65-210-00-SG	For Pro Build
18	1	Top Beam Assembly	65-211-00-SG	
19	2	Tube End Cap	65-353-00-PP	
20	4	HHCS 1/2-13 x 1 1/4" SS	82-508-020-SIC	
21	2	HHCS 1/2-13 x 2" lg S.S.	82-508-032-sic	
22	2	Nut 1/2-13 S.S.	84-008-000-SIC	
23	4	Fan Inlet Ring	65-700-10-PP	
24	4	Fan Inlet SS Wire Mesh	65-700-07-PP	
25	4	Fan Inlet Cone	65-700-04-PP	
26	4	QD Bushing Browning #SD 1-3/8"	65-716-02-PP	
27	4	Fan Wheel Assembly Complete	65-716-00-MP	
28	4	Fan Housing Assembly	65-714-00-MP	
29	8	Retaining Ring	65-714-01-MP	
30	4	Fan Back Plate	65-700-02-PP	
31a	4	Motor Electric 10HP 3PH 230/406V	70-700-00-PP	
31b	4	Motor Electric 10HP 3PH 575V	70-700-04-PP	
32	4	Pivot Assembly-Motor Mount	65-704-00-SG	
33	4	Clamping Bar-Motor Mount	65-700-14-ZN	
34	4	Clamp/Cradle Assembly-Motor Mount	65-703-00-SG	
35	4	Plate-Motor Mount Clamp	65-700-15-SG	

Item no.	Req'd	Description	Part no.	Remarks
36	96	HHCS SS 1/4"-20 x 1"	82-504-016-SIC	
37	117	Washer SS Lock 1/4"	80-904-000-SI	
38	133	Washer SS Flat 1/4"	80-104-000-SI	
39	24	Screw SS Flat-Head Phl. 1/4"-20 x 5/8"	83-604-010-SIC	
40	32	HHCS SS 1/2"-13 x 1-1/4"	82-508-020-SIC	
41	8	HHCS PL 1/2"-13 x 3"- Drilled	65-732-01-MP	
42	16	HHCS SS 3/8"-16 x 2"	82-506-032-SIC	
43	33	Washer SS Flat 3/8"	80-106-000-SI	
44	16	Washer SS Lock 3/8"	80-906-000-SI	
45	16	Nut SS Nylock 3/8"-16	85-006-000-SIC	
46a	8	HHCS SS 1/2"-13 x 6-1/2"	82-508-104-SIC	For 4" square post
46b	8	HHCS SS 1/2"-13 x 7-1/2"	82-508-120-SIC	For 5" square post
47	16	HHCS Full Thread 1/4"-20 x 1-3/4" LG. SS	82-604-028-SIC	
48	16	Screw SS Button-HD 1/4"-20 x 1"	83-204-016-SIC	
49	16	Nut SS Nylock 1/4"-20	85-004-000-SIC	
50	3	Fixed Bearing Wheel Assembly	65-744-00-MP	
51	3	Fixed Discharge Cone Retrofit	65-708-10-MP	
52	3	Nylock Nut SS 5/16"-18	82-005-000-SIC	
53	3	Washer SS Lock 5/16"	80-905-000-SI	
54	1	Hub Cap Fixed Nozzle	65-708-02-MP	
55	1	Smart Bearing Wheel Assembly	65-722-00-MP	
56	1	Smart Discharge Cone Retrofit	65-706-10-MP	
57	1	Pin SS Cotter 5/64" X 1"	86-056-012-SI	
58	1	Retaining Ring (35000-01250)	65-706-03-PP	
59	2	Ball Bearings SS 6002-2RS	90-195-01-PP	
60	2	3/4" Flat Washer SS	80-512-000-SI	
61	1	Magnet Bracket	65-706-06-BK	
62	1	Magnet 57065-000 ND	65-718-11-PP	
63	1	#8-32 x 3/4" Pan HD Screw SS	83-508-012-SNC	
64	1	#8-32 Nylock Nut SS	85-008-320-SIC	
65	1	SN Drive & Control Assembly	65-718-00-MP	
66	2	HHCS 1/4-20 x 3/4" SS	82-504-012-SIC	
67	1	Drive Belt	65-718-05-PP	
68	1	Connector Male Recept 3P (7R306A19A1201)	70-065-03-PP	
69	1	Str Single End Cord 3P (70300B01F1201)	70-065-04-PP	
70	1	Cnctr Female Recept 5P (8R5A00A18A1201)	70-065-05-PP	

Item no.	Req'd	Description	Part no.	Remarks
71	1	Str. Single End Cord 5P (805006B02M04)	70-065-06-PP	
72	1	Control and Motor Housing Assembly	65-717-00-MP	
73	1	End Plate - Motor Housing	65-760-01-MP	
74	1	Fiber Optic Terminal Plate	65-718-19-PP	
75	7.25	3M #4910 VHB Clr Adhesive Tape (Double Sided)	33-950-03-1CL	
76	1	Control Board Assembly	65-733-00-MP	
77	1	Servo Motor Pre-Assembly	65-728-00-MP	
78	1	S8E1-05024B Power Supply	70-654-00-MP	
79	6	Washer #4 Flat SS	80-104-000-SN	
80	14	Lock Washer #8 SS	80-908-000-SN	
81	2	Screw Pan HD Phl #4-40 x 1/4" SS	83-504-004-SNC	
82	8	Screw Pan HD Phl #8-32 x 3/4" SS	83-508-012-SNC	
83	2	Screw Flt HD Phl #4-40 x 3/8" SS	83-604-006-SNC	
84	4	Nut #4-40 SS	84-004-000-SNC	
85	14	Wire 22 Awg 19 Strnd 105C Blue	33-600-42-2BU	
86	14	Wire 22 Awg 19 Strnd 105C Brn	33-600-42-2BN	
87	1	Decal "Program 21 V1.08"	36-065-16-PP	
88	1	Fiber Optic Window Blind	65-718-20-PP	
89	1	Screw Pan HD Phl #8-32 x 1/4" SS	83-508-004-SNC	
90	2	O'-Ring Rubber AS-568A-004 Hercules	65-712-03-PP	
91	2	Thumb Screw (Machined) 1/4-28x3/8" SHCS SS	65-718-21-MP	
92	2	Terminal - Fiber Optic (Machined)	65-712-01-MP	
93	2	3/4" Shim Washer SS	80-612-000-SI	Fixed Nozzle Installation
94	2	39/64" Shim Washer SS	80-539-000-SI	Smart Nozzle Installation
95	1	Tech 21 Fiber Optic Cover Retrofit	75-650-08-MP	
96	1	Torque Value Decal	36-065-28-PP	qty 1/ dryer
97	6	1/8" x 1" S.S. Cotter Pin	86-002-016-SI	
98	1	Discharge Cone Foam Kit	65-706-08-MP	Smart Nozzle Installation
99	1	Safety Screen-Air Discharge Nozzle	65-731091-PP	