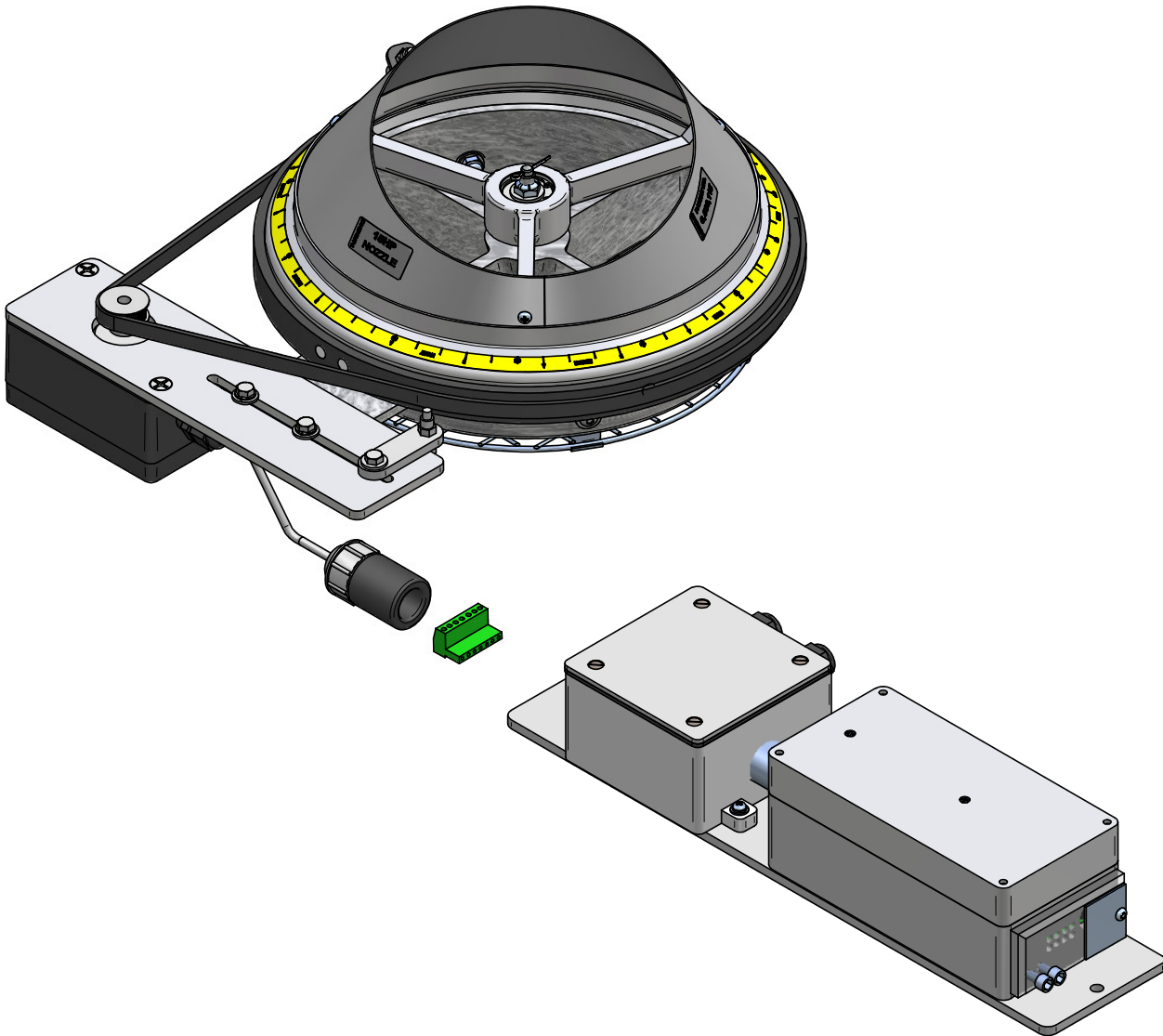




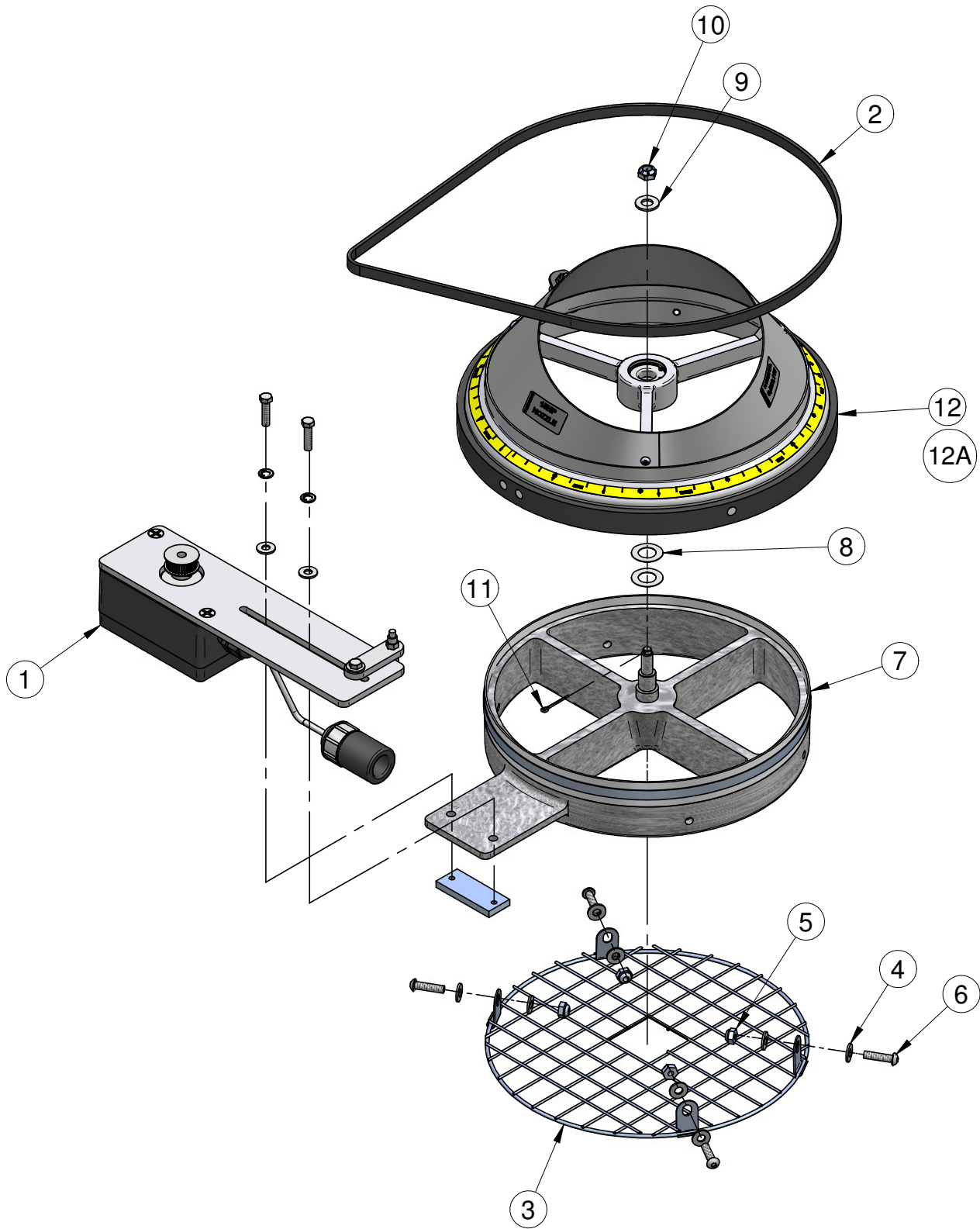
TECH21 15HP SMART SS NOZZLE - 65-785-00-SMP
TECH21 10HP SMART SS NOZZLE - 65-731-00-MP



90 Welham Road, Barrie, Ontario 705-722-7649

TITLE 15HP SMART NOZZLE ASSEMBLY		
PART NO EPL-65-785-00-SMP	DWG NO EPL-65-785-00-SMP	REV A
DATE: JUNE 29, 2007	SHEET 1 OF 7	

MacNeil Wash Systems- Parts List



90 Welham Road, Barrie, Ontario 705-722-7649

TITLE 15HP SMART NOZZLE ASSEMBLY		
PART NO EPL-65-785-00-SMP	DWG NO EPL-65-785-00-SMP	REV A
DATE: JUNE 29, 2007	SHEET 2 OF 7	

MacNeil Wash Systems- Parts List

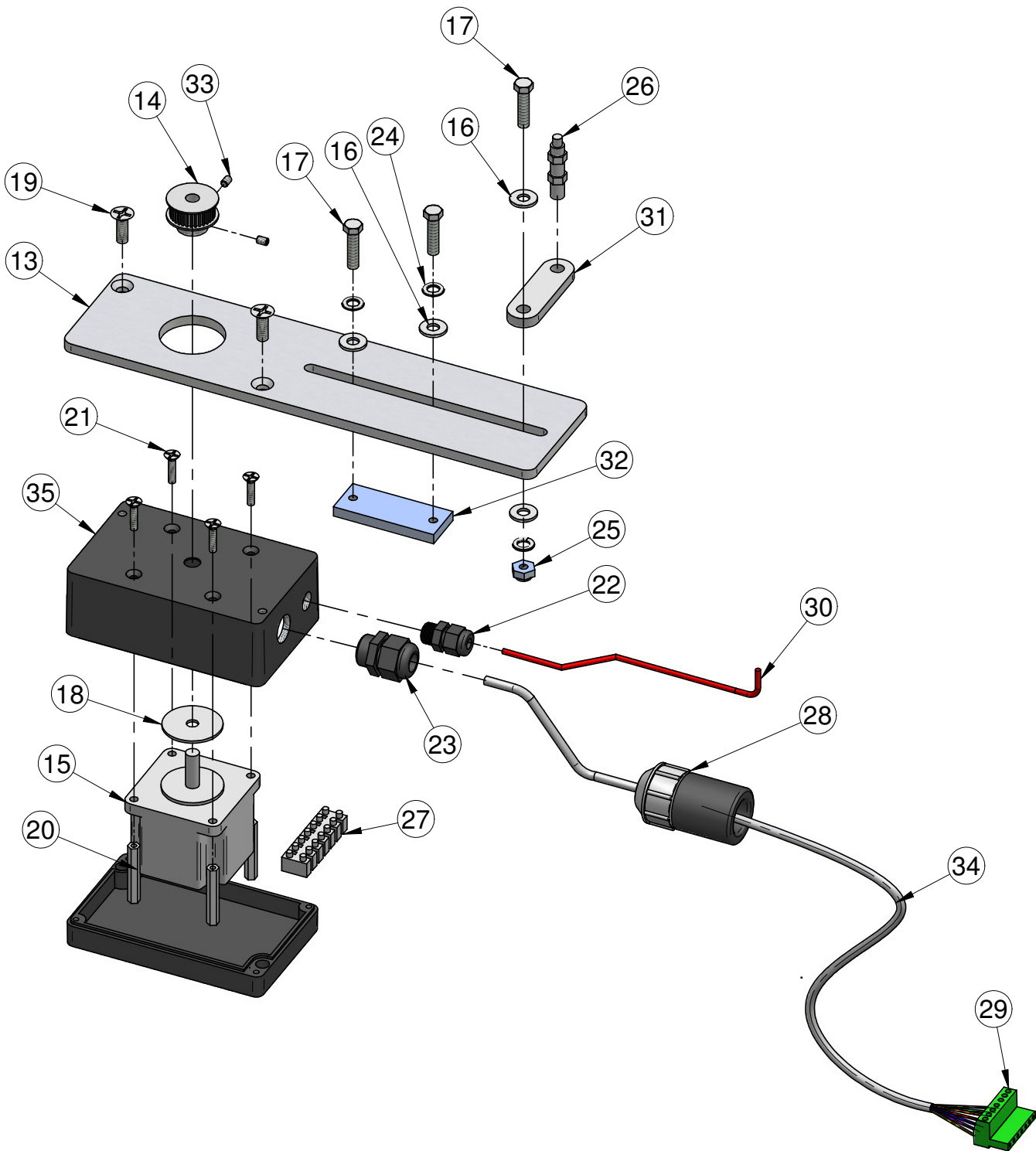
REF.	DESCRIPTION	PART NUMBER	QTY.
1	STEPPER MOTOR REED SWITCH ASS'Y	65-746-00-MP	1
2	DRIVE BELT 6R23M375090	65-718-05-PP	1
3	SAFETY SCREEN - AIR DISCHARGE NOZZLE	65-731-01-PP	1
4	WASHER SS FLAT 1/4" (0.056"/0.063" THK)	80-104-000-SI	8
5	NUT SS NYLOCK 1/4"-20	85-004-000-SIC	4
6	SCREW SS BTN-HD 1/4"-20 X 1"	83-204-016-SIC	4
7	NOZZLE WHEEL ASS'Y W/SHAFT	65-722-00-MP	1
8	WSHR SS FLT SHIM ID5/8"x1/64"xOD1-1/16"	80-510-000-SI	2
9	WASHER FLAT 3/8" SS	80-106-000-SI	1
10	NUT SS NYLOCK 3/8"-16 LOW PROFILE	85-006-001-SIC	1
11	COTTER PIN SS 5/64" x 3/4"	86-056-012-SI	1
12	15HP SS SMART NOZZLE SUB ASSEMBLY	65-785-10-SMP	1
12A	10HP SS SMART NOZZLE SUB-ASSEMBLY	65-706-10-MP	1



90 Welham Road, Barrie, Ontario 705-722-7649

TITLE 15HP SMART NOZZLE ASSEMBLY		
PART NO EPL-65-785-00-SMP	DWG NO EPL-65-785-00-SMP	REV A
DATE: JUNE 29, 2007	SHEET 3 OF 7	

MacNeil Wash Systems- Parts List



**STEPPER MOTOR/REED SWITCH ASS'Y
65-746-00-MP**



90 Welham Road, Barrie, Ontario 705-722-7649		
TITLE 15HP SMART NOZZLE ASSEMBLY		
PART NO EPL-65-785-00-SMP	DWG NO EPL-65-785-00-SMP	REV A
DATE: JUNE 29, 2007	SHEET 4 OF 7	

MacNeil Wash Systems- Parts List

STEPPER MOTOR/REED SWITCH ASS'Y 65-746-00-MP

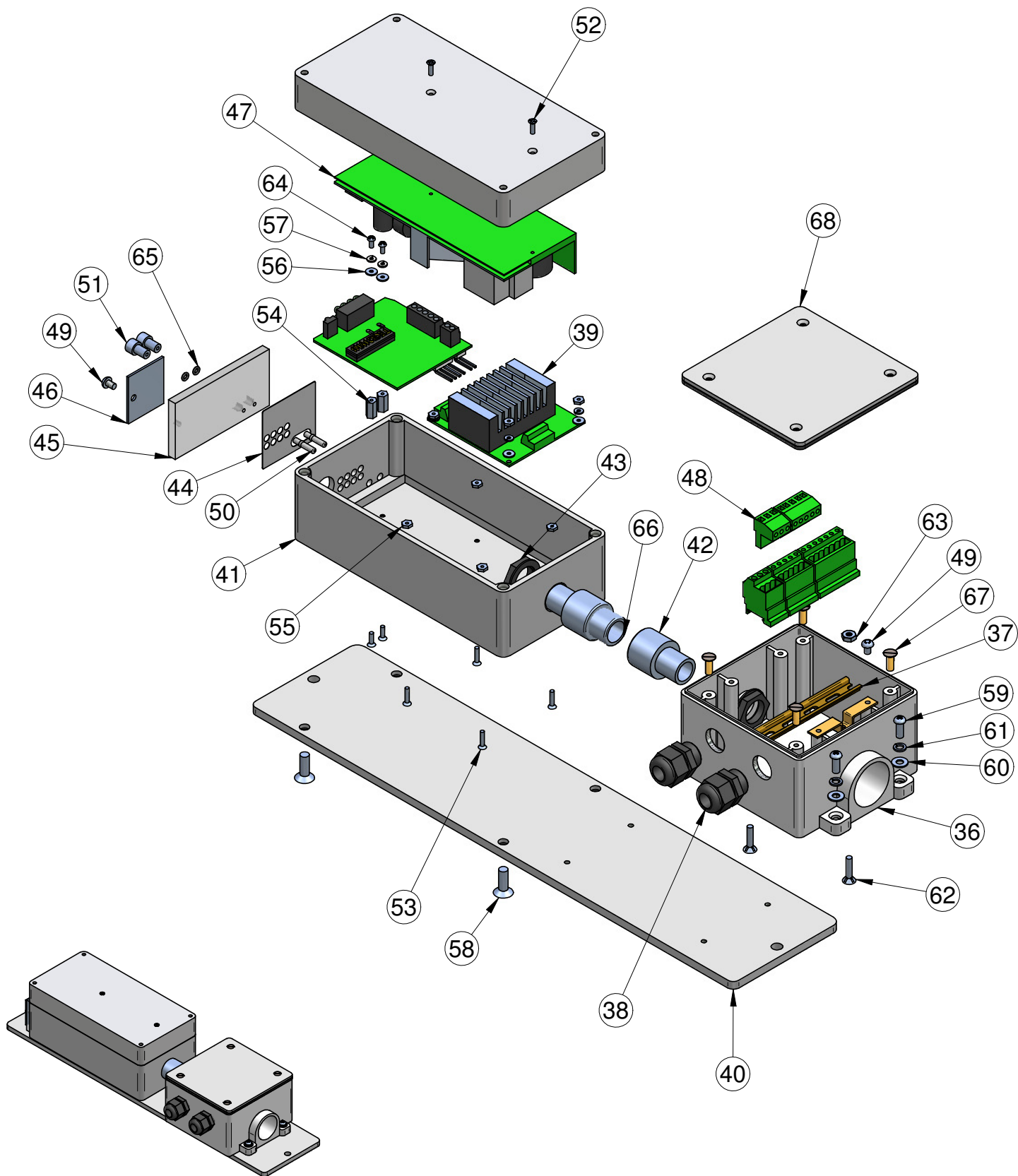
REF.	DESCRIPTION	PART NUMBER	QTY.
13	PLATE-MOTOR BOX/NOZL.MNT ANOD.CL	65-746-03-CL	1
14	PULLEY-MACHINED	65-718-04-MP	1
15	MOTOR-ELECTRIC SERVO VEXTACSK564-NATA	70-700-01-PP	1
16	WASHER SS FLAT 1/4" (0.056"/0.063" THK)	80-104-000-SI	4
17	HHCS SS 1/4"-20 x 1"	82-504-016-SIC	3
18	FELT SHAFT SEAL	65-746-02-PP	1
19	SCRW SS FLT HD PHL 1/4"-20 X 5/8"	83-604-010-SIC	2
20	#8-32 UNC F/F STAND-OFF x 1-1/2 LG.	44-104-01-PP	4
21	SCRW SS FLT HD PHL #8-32x3/4"	83-608-012-SNC	4
22	STRAIN RELIEF 1/4", c/w nut 3207	44-584-08-PP	1
23	STRAIN RELIEF HEYCO #3214 GRAY LTF 11	70-055-06-PP	1
24	WASHER SS LOCK 1/4"	80-904-000-SI	3
25	NUT SS NYLOCK 1/4"-20	85-004-000-SIC	1
26	REED SWITCH #59065-010 ND DIGIKEY	65-718-10-PP	1
27	TERMINAL BLOCK TB0B-WP-12P	70-061-01-PP	1
28	STRAIN RELIEF KIT SRC-15 THRD-SPIGOT	70-900-00-PP	1
29	SEVEN CONNECTOR PLUG PHOENIX TERMINAL	70-065-08-PP	1
30	TUBE NY CLR 1/4" OD - 9" LG.	65-718-12-MP	1
31	SENSOR MTG. PLATE-LONG	65-718-08-MP	1
32	VOID - SLIDE BAR PLATE	65-746-04-PP	1
33	SCRW SS SET #8-32 x 1/4"	83-708-004-SNC	2
34	WIRE GRAY 9 CNDCTR 28 AWG - 35FT	33-600-43-9GY	1
35	SERVO MOTOR HOUSING-MACHINED	65-746-01-PP	1



90 Welham Road, Barrie, Ontario 705-722-7649

TITLE 15HP SMART NOZZLE ASSEMBLY		
PART NO EPL-65-785-00-SMP	DWG NO EPL-65-785-00-SMP	REV A
DATE: JUNE 29, 2007	SHEET 5 OF 7	

MacNeil Wash Systems- Parts List



**SMART NOZZLE DRIVER BOARD ASSEMBLY
65-747-00-MP**



90 Welham Road, Barrie, Ontario 705-722-7649

TITLE		
15HP SMART NOZZLE ASSEMBLY		
PART NO	DWG NO	REV
EPL-65-785-00-SMP	EPL-65-785-00-SMP	A
DATE: JUNE 29, 2007	SHEET 6 OF 7	

MacNeil Wash Systems- Parts List

REF.	DESCRIPTION	PART NUMBER	QTY.
36	SMART NOZL. JUNCTION BOX FS-2-20 - MACH'D	70-200-02-MP	1
37	DIN RAIL 4" LG.	65-748-02-PP	1
38	STRAIN RELIEF HEYCO #3214 GRAY LTF 11	70-055-06-PP	2
39	CONTROL/DRVR BOARD ASSEMBLY	65-733-00-MP	1
40	PLATE-CONTROL BOX MOUNT ANOD. CLR.	65-747-01-CL	1
41	BOX-CONTRL/DRVR BOARD ENCLSR	65-747-02-PP	1
42	TERMNL ADPT 1/2" X 3/4"-10 UNC IPEX TA10	90-075-04-PP	2
43	NUT BK NYL N 1/2"NPT HEYCO, 8463	84-008-000-NIN	2
44	LED-LABEL	36-065-08-PP	1
45	FIBER OPTIC TERMINAL PLATE-LEXAN	65-718-19-PP	1
46	FIBER OPTIC WINDOW BLIND	65-718-20-PP	1
47	POWER SUPPLY-OMRONS8E1-05024B	70-654-00-PP	1
48	PHOENIX TERMINAL KIT	70-065-07-PP	1
49	SCREW PHL PAN-HD SS #8-32 x 1/4"	83-508-004-SNC	2
50	TERMINAL-FIBER OPTIC MACHINED	65-712-01-MP	2
51	SHCS SS 1/4"-28 SS X 1/2" 82-704-006-SF	65-718-21-MP	2
52	SCREW FLAT HEAD PHL SS 4-40 X 3/8"	83-604-006-SNC	4
53	SCRW SS FLT-HD PHL #4-40 x 1/2"	83-604-008-SNC	4
54	STANDOFF HEX Nylon #4-40x1/2" Digi-Key 1902CK-ND	44-103-04-PP	2
55	NUT SS #4-40	84-004-000-SNC	8
56	WASHER SS FLAT #4	80-104-000-SN	6
57	WASHER SS LOCK #4	80-904-000-SN	6
58	SCRW SS FLT HD PHL 1/4"-20 X 5/8"	83-604-010-SIC	4
59	SCRW SS PAN-HD PHL #10-24 x 1/2"	83-510-008-SNC	4
60	WASHER FLAT SS #10	80-110-000-SN	4
61	LOCK WASHER #10 S.S.	80-910-000-SN	4
62	SCRW SS FLT HD PHL #8-32x3/4"	83-608-012-SNC	2
63	NUT #8-32	84-008-000-SNC	2
64	SCRW SS PAN-HD PHL #4-40 x 1/4"	83-504-004-SNC	2
65	O-RING 1/16 ID X W 1/16" #AS568A-004 HERCULES	65-712-03-PP	2
66	1/2" TERM. SLEEVE x1-1/2" LG.	53-002-01-MP	1
67	SCREW M6 X 3/8"	C/W 70-200-02-PP	4
68	JUNCTION BOX CVR BRC20-2 c/w GASKET	70-201-02-PP	1

**SMART NOZZLE DRIVER BOARD ASSEMBLY
65-747-00-MP**

MacNeil Wash Systems- Parts List



90 Welham Road, Barrie, Ontario 705-722-7649

TITLE 15HP SMART NOZZLE ASSEMBLY		
PART NO EPL-65-785-00-SMP	DWG NO EPL-65-785-00-SMP	REV A
DATE: JUNE 29, 2007		SHEET 7 OF 7