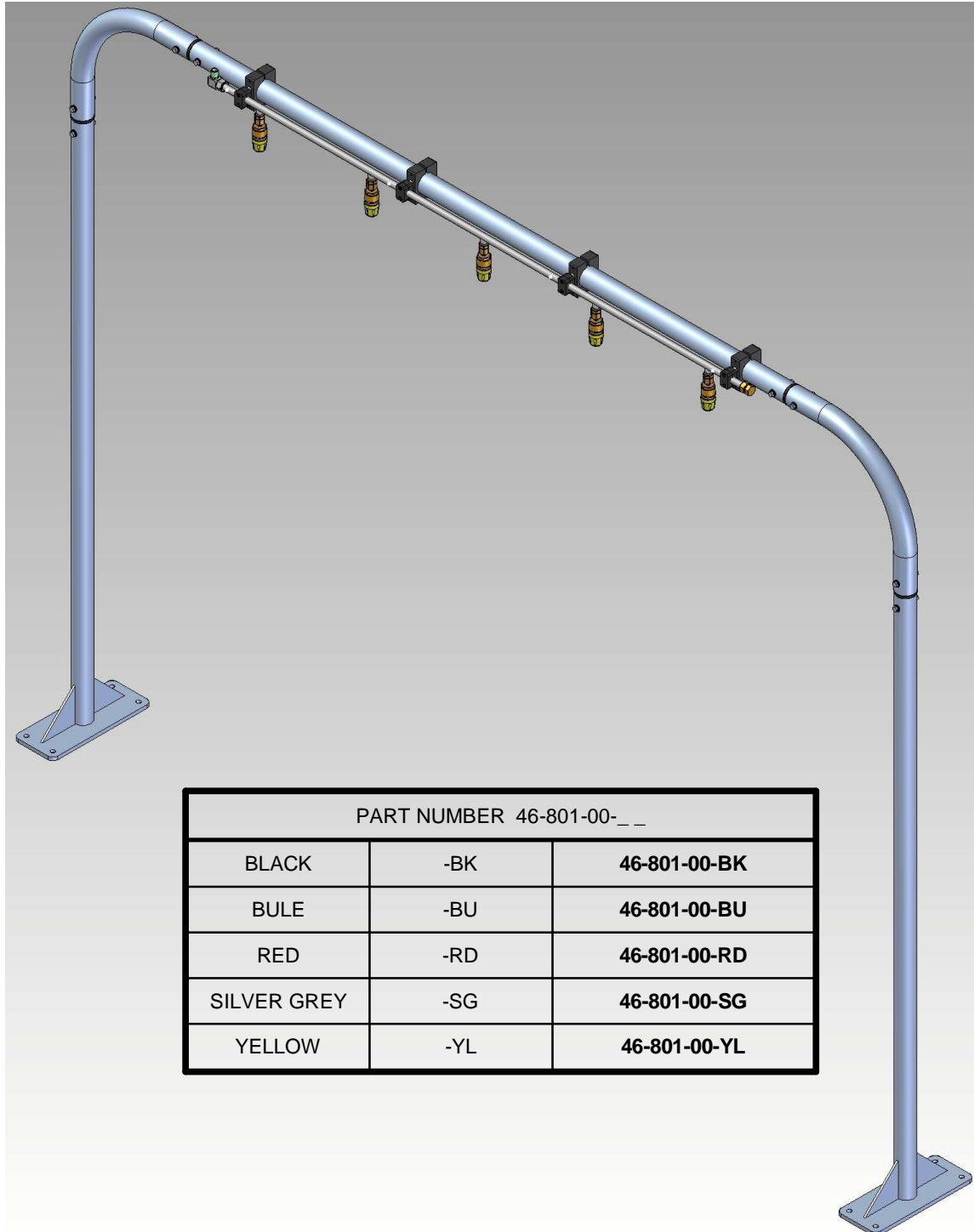


46-801-00-SG

High Pressure Arch with Top Turbo Nozzles



PART NUMBER 46-801-00-__		
BLACK	-BK	46-801-00-BK
BULE	-BU	46-801-00-BU
RED	-RD	46-801-00-RD
SILVER GREY	-SG	46-801-00-SG
YELLOW	-YL	46-801-00-YL

46-802-00-__

High Pressure Arch Full with Turbo Nozzles



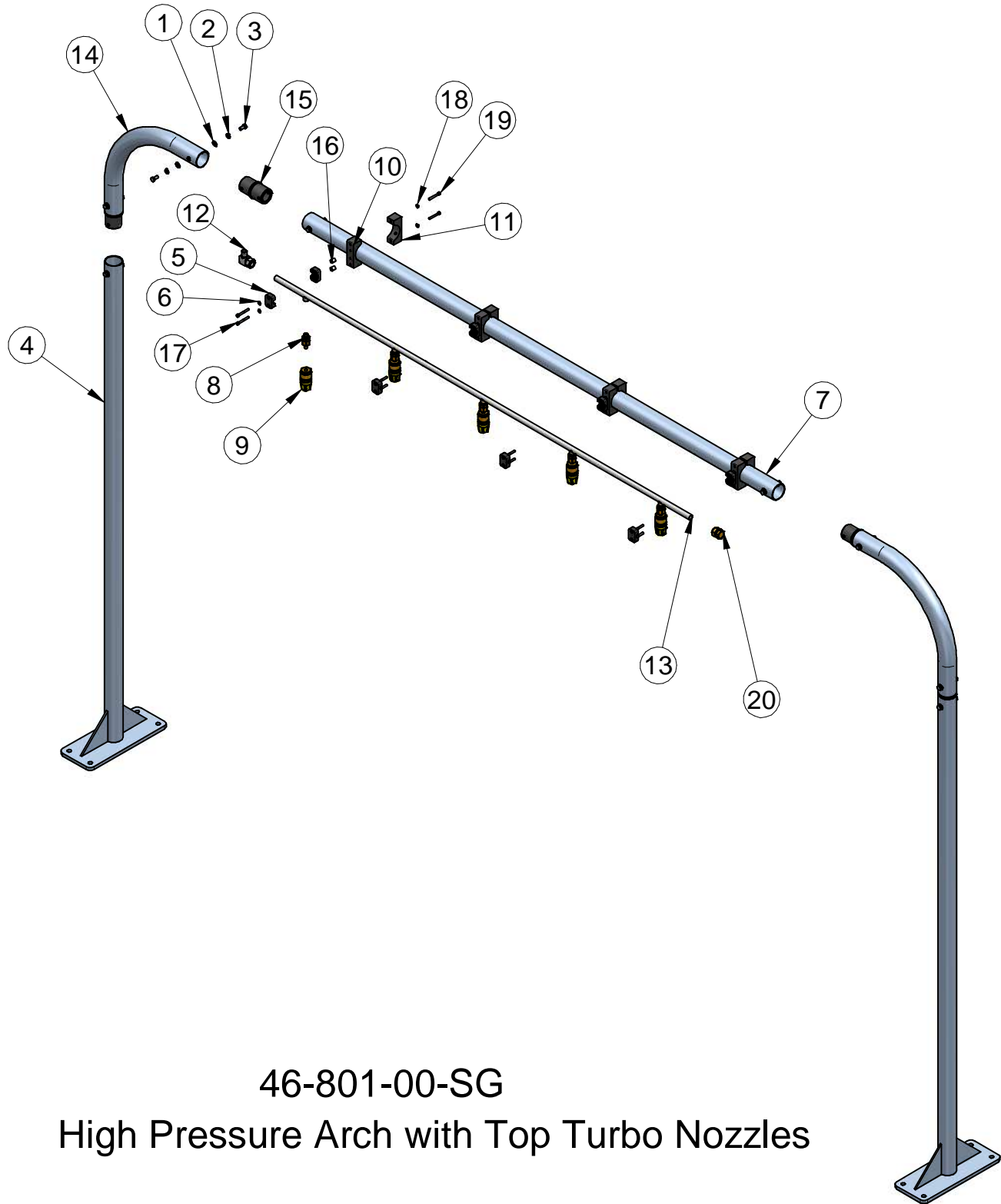
PART NUMBER 46-802-00-__		
BLACK	-BK	46-802-00-BK
BULE	-BU	46-802-00-BU
RED	-RD	46-802-00-RD
SILVER GREY	-SG	46-802-00-SG
YELLOW	-YL	46-802-00-YL

46-803-00-__

High Pressure Arch Full with V-Jet Nozzles



PART NUMBER 46-803-00-__		
BLACK	-BK	46-803-00-BK
BULE	-BU	46-803-00-BU
RED	-RD	46-803-00-RD
SILVER GREY	-SG	46-803-00-SG
YELLOW	-YL	46-803-00-YL



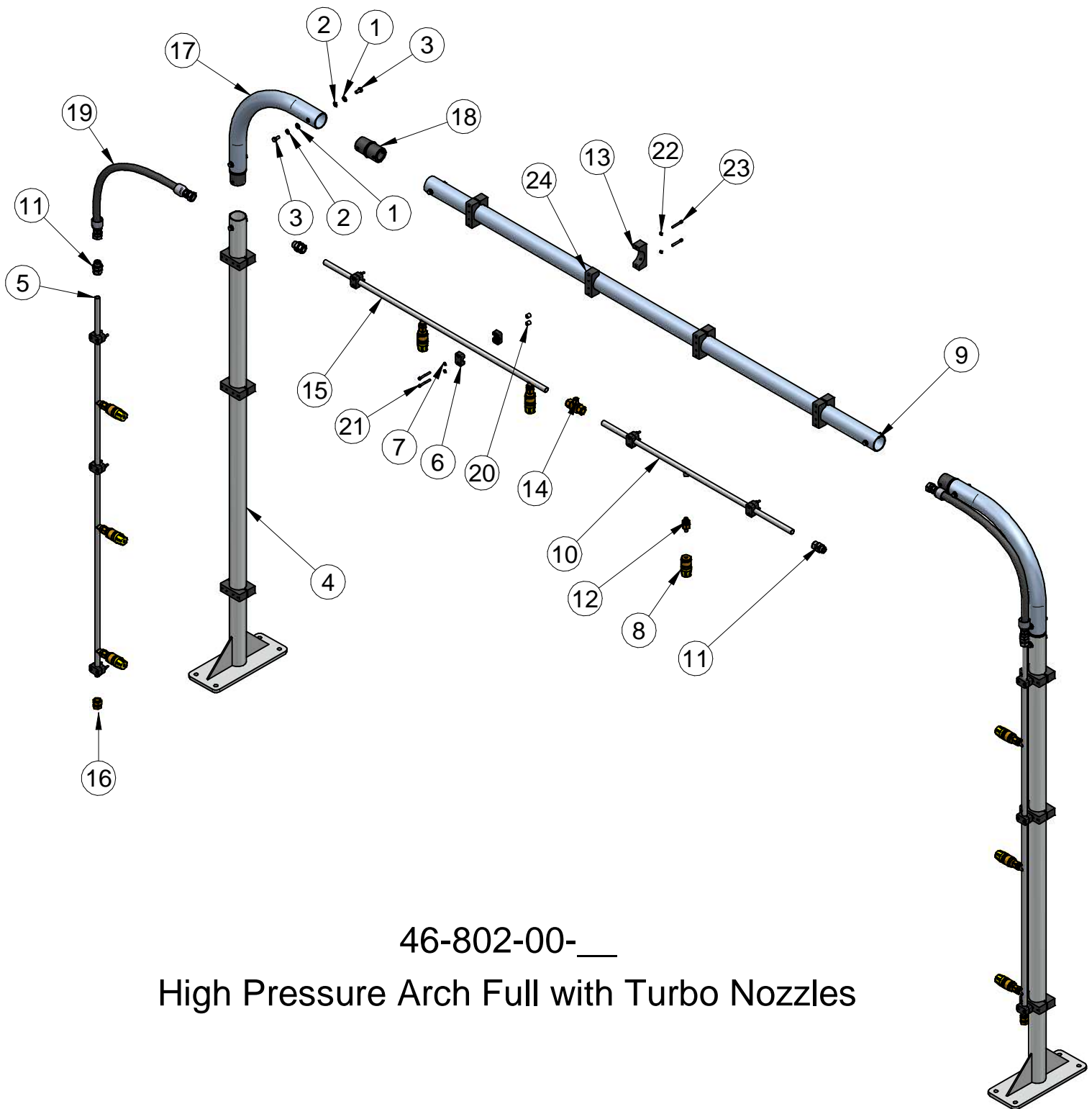
46-801-00-SG

High Pressure Arch with Top Turbo Nozzles

46-801-00-SG

High Pressure Arch with Top Turbo Nozzles

REF	DESCRIPTION	PART NUMBER	QTY
1	WSHR SS FLT 3/8" .071-.082THK .75"OD/.406"ID	80-106-000-SI	16
2	LOCK WASHER 3/8" SS	80-906-000-SI	16
3	HHCS SS 3/8"-16 X 3/4"	82-506-012-SIC	16
4	RW111 ARCH POST 79-1/2" AL PC	46-500-10-__	2
5	3/4" HOSE BLOCK CSHN PAIR HRL	90-153-00-PP	4
6	WSHR SS FLAT SMALL-OD 1/4"	80-304-000-SI	8
7	RW111 HORIZONTAL TUBE 90"LG PC	46-500-30-SG	1
8	FTG ASSY SWIVEL BALL BR 9-18 UNF X 1/4"NPT	90-237-10-PP	5
9	TURBO NOZZLE #4.0 1001763 HFI BLAST TEC NOZZLE	10-220-20-PP	5
10	CLAMP (THREADED)	46-500-50-BK	4
11	CLAMP (COUNTER BORED HOLES)	46-500-51-BK	4
12	FTG LET-LOK MALE ELBOW 769LB3/4X3/4 3/4"	90-260-23-PP	1
13	TOP SPRAY TUBE 79.5"	46-801-30-MP	1
14	RW111 ARCH CORNER ELBOW AL PC	46-500-20-SG	2
15	RW111 TUBE INSERT AL X 4-1/4"LG BLK ANO	46-500-40-BK	4
16	SPACER NYLON 1/2" DIA x 5/8" TH	89-008-010-NI	8
17	SHCS SS 1/4-20x2"	82-704-032-SIC	8
18	WSHR SS LOCK 1/4"	80-904-000-SI	8
19	SHCS SS 1/4"-20 x 1-3/4"	82-704-028-SIC	8
20	FTG LET-LOK CAP BRASS 7108LB3/4 3/4" TUBE	90-260-24-PP	1



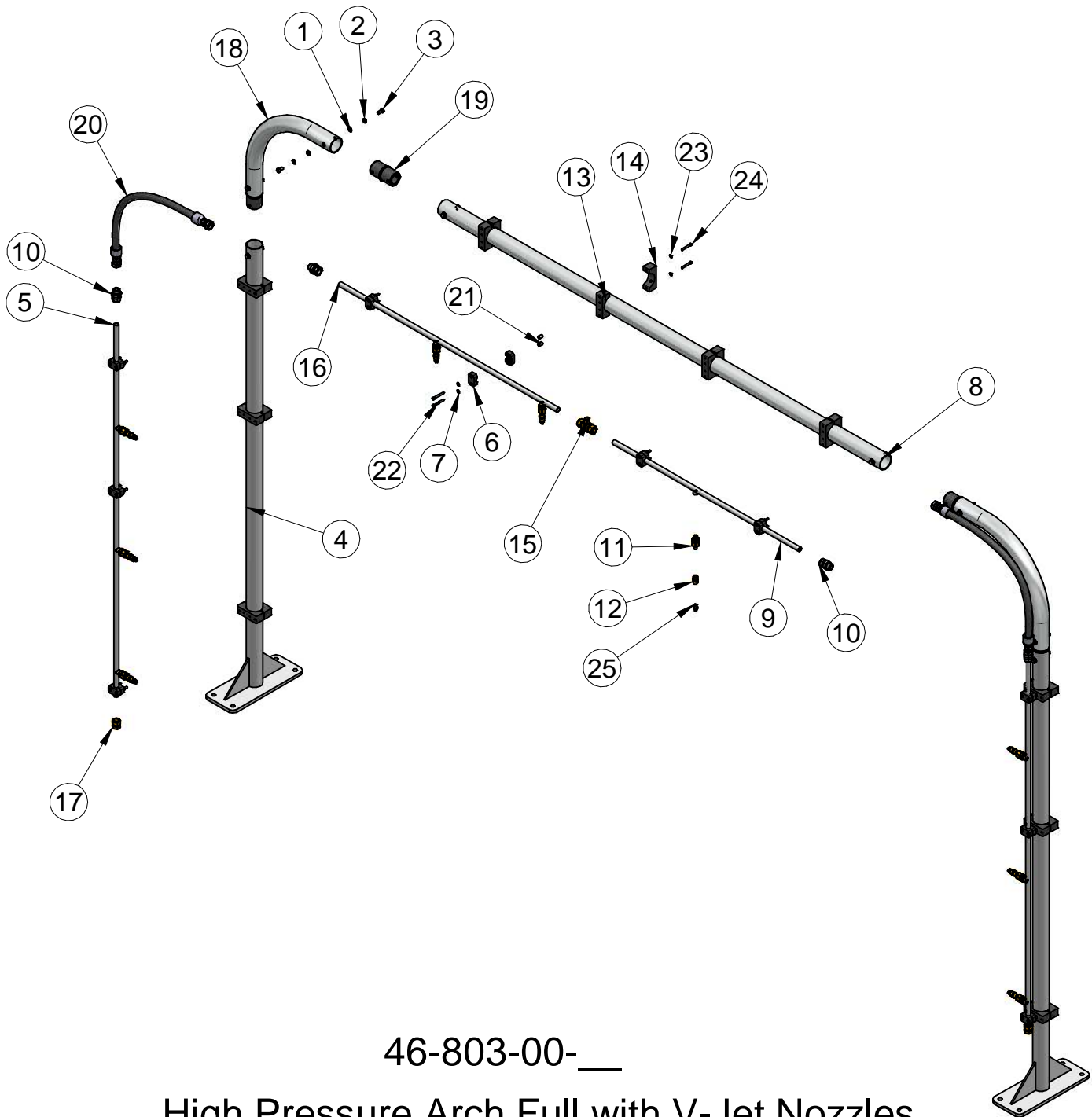
46-802-00-__

High Pressure Arch Full with Turbo Nozzles

46-802-00-__

High Pressure Arch Full with Turbo Nozzles

REF	DESCRIPTION	PART NUMBER	QTY
1	WSHR SS FLT 3/8" .071-.082THK .75"OD/.406"ID	80-106-000-SI	16
2	LOCK WASHER 3/8" SS	80-906-000-SI	16
3	HHCS SS 3/8"-16 X 3/4"	82-506-012-SIC	16
4	RW111 ROUND ARCH POST AL	46-500-10-MP	2
5	HIGH PRESSURE SIDE TUBE 67"	46-802-20-MP	2
6	3/4" HOSE BLOCK CSHN PAIR HRL	90-153-00-PP	10
7	WSHR SS FLAT SMALL-OD 1/4"	80-304-000-SI	20
8	TURBO NOZZLE #4.0 1001763 HFI BLAST TEC NOZZLE	10-220-20-PP	9
9	RW111 HORIZONTAL TUBE 92"LG PC	46-802-11-__	1
10	TOP TUBE WELDED 38-3/4"	46-802-40-MP	1
11	FTG LET-LOK MALE CNCTR 762LFLSS3/4X3/4 3/4" 37DEG	90-260-22-PP	4
12	FTG ASSY SWIVEL BALL BR 9-18 UNF X 1/4"NPT	90-237-10-PP	9
13	CLAMP (COUNTER BORED HOLES)	46-500-51-BK	10
14	FTG TEE LET-LOK 772LSS3/4X3/4 - 3/4" TUBE / 3/4"MNPT	90-260-20-PP	1
15	TOP TUBE 45.75"	46-802-30-MP	1
16	FTG LET-LOK CAP BRASS 7108LB3/4 3/4" TUBE	90-260-24-PP	2
17	RW111 ARCH CORNER ELBOW AL PC	46-500-20-SG	2
18	RW111 TUBE INSERT AL X 4-1/4"LG BLK ANO	46-500-40-BK	4
19	CORNER HOSE ASSEMBLY	95-046-00-PP	2
20	SPACER NYLON 1/2" DIA x 5/8" TH	89-008-010-NI	20
21	SHCS SS 1/4-20x2"	82-704-032-SIC	20
22	WSHR SS LOCK 1/4"	80-904-000-SI	20
23	SHCS SS 1/4"-20 x 1-3/4"	82-704-028-SIC	20
24	CLAMP (THREADED)	46-500-50-BK	10



46-803-00-__

High Pressure Arch Full with V-Jet Nozzles

46-803-00-__

High Pressure Arch Full with V-Jet Nozzles

REF	DESCRIPTION	PART NUMBER	QTY
1	WSHR SS FLT 3/8" .071-.082THK .75"OD/.406"ID	80-106-000-SI	16
2	LOCK WASHER 3/8" SS	80-906-000-SI	16
3	HHCS SS 3/8"-16 X 3/4"	82-506-012-SIC	16
4	RW111 ARCH POST 79-1/2" AL PC	46-500-10-__	2
5	HIGH PRESSURE SIDE TUBE 67"	46-802-20-MP	2
6	3/4" HOSE BLOCK CSHN PAIR HRL	90-153-00-PP	10
7	WSHR SS FLAT SMALL-OD 1/4"	80-304-000-SI	20
8	RW111 HORIZONTAL TUBE 92"LG PC	46-802-11-__	1
9	TOP TUBE WELDED 38-3/4"	46-802-40-MP	1
10	FTG LET-LOK MALE CNCTR 762LFLSS3/4X3/4 3/4" 37DEG	90-260-22-PP	4
11	FTG ASSY SWIVEL BALL BR 9-18 UNF X 1/4"NPT	90-237-10-PP	9
12	BRASS CPLR 1/4 FPT 103-B	90-022-01-PP	9
13	CLAMP (THREADED)	46-500-50-BK	10
14	CLAMP (COUNTER BORED HOLES)	46-500-51-BK	10
15	FTG TEE LET-LOK 772LSS3/4X3/4 - 3/4" TUBE / 3/4"MNPT	90-260-20-PP	1
16	TOP TUBE 45.75"	46-802-30-MP	1
17	FTG LET-LOK CAP BRASS 7108LB3/4 3/4" TUBE	90-260-24-PP	2
18	RW111 ARCH CORNER ELBOW AL PC	46-500-20-SG	2
19	RW111 TUBE INSERT AL X 4-1/4"LG BLK ANO	46-500-40-BK	4
20	CORNER HOSE ASSEMBLY	95-046-00-PP	2
21	SPACER NYLON 1/2" DIA x 5/8" TH	89-008-010-NI	20
22	SHCS SS 1/4-20x2"	82-704-032-SIC	20
23	WSHR SS LOCK 1/4"	80-904-000-SI	20
24	SHCS SS 1/4"-20 x 1-3/4"	82-704-028-SIC	20
25	SPRAY NOZZLE 1/4MEG-4005 TOL. +0/-1	10-275-39-PP	9