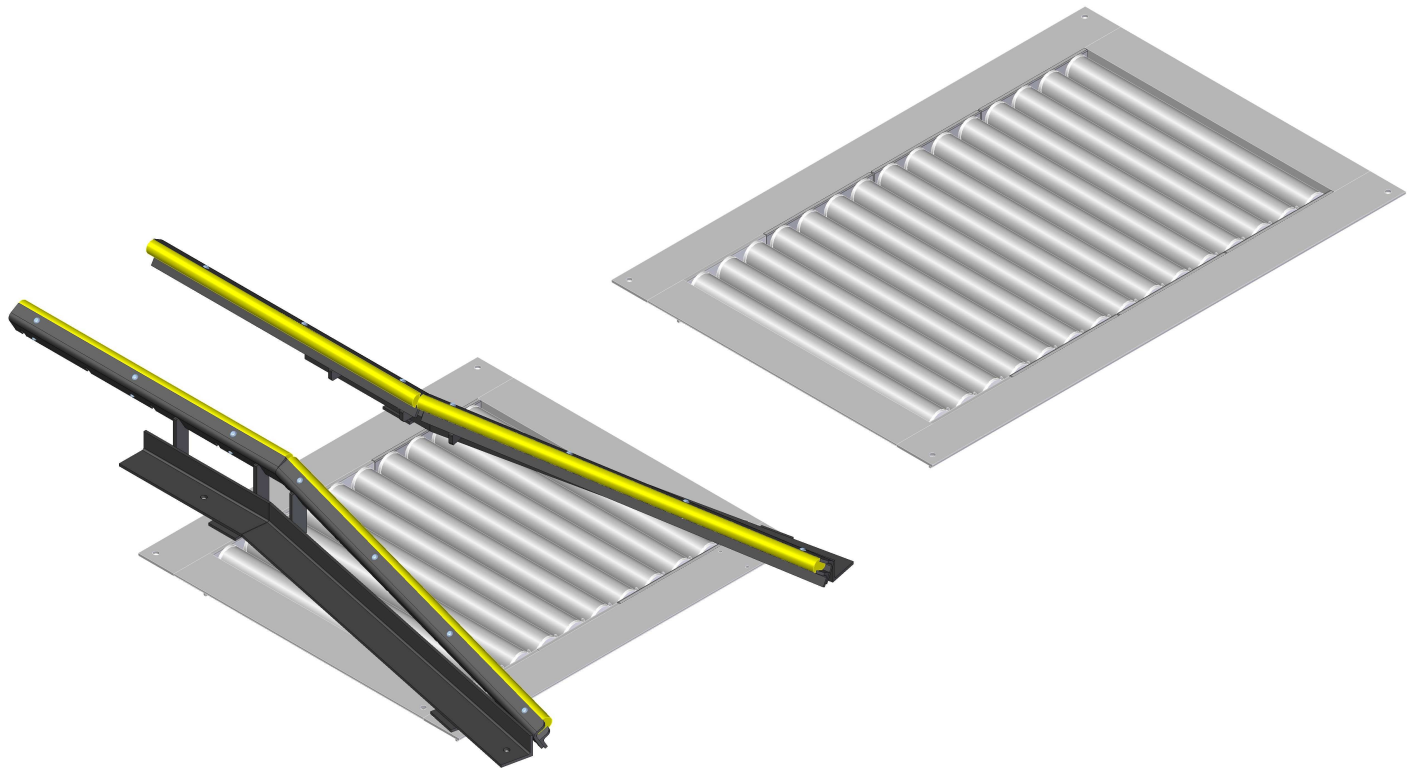


DOCUMENT #EPL-XR120

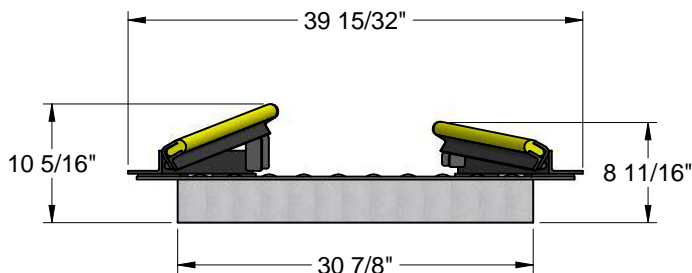
INCLUDES:

11-C00-100-000 XR120-CORRELATOR FOR XR1000 (REAR WHEEL PUSH)

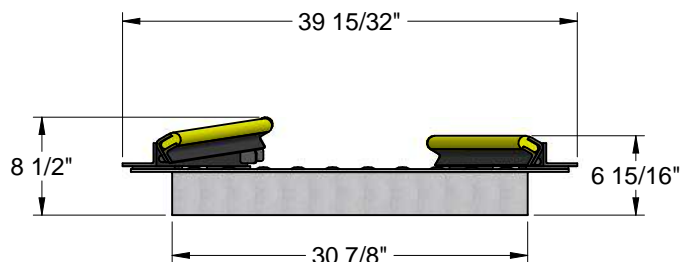
11-C00-150-000 XR120-CORRELATOR FOR XR1000 (FRONT WHEEL PULL)



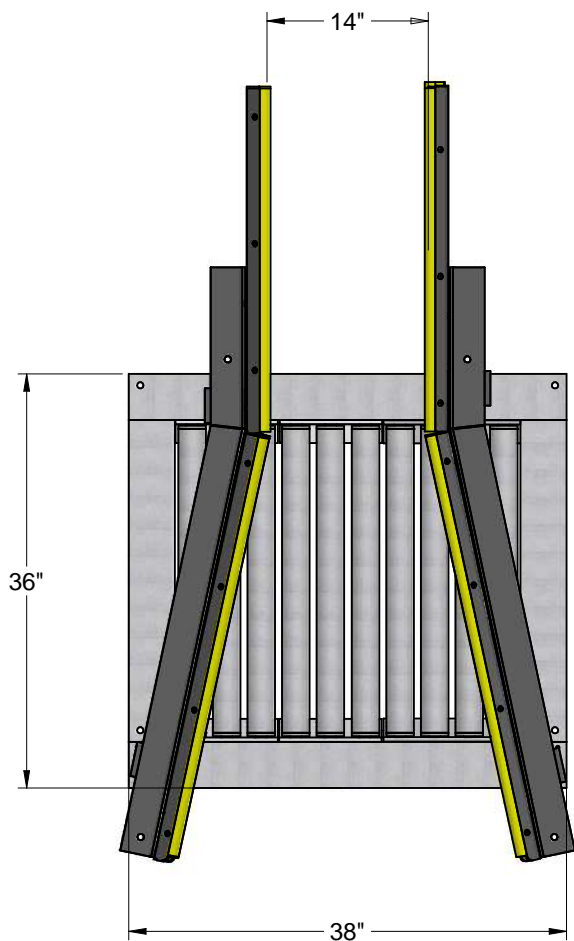
XR120 CONFIGURATION



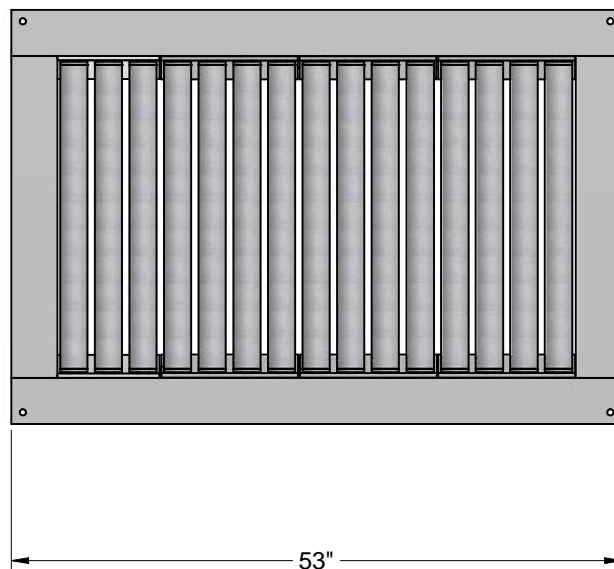
11-C00-100-000
RWP CONFIGURATION



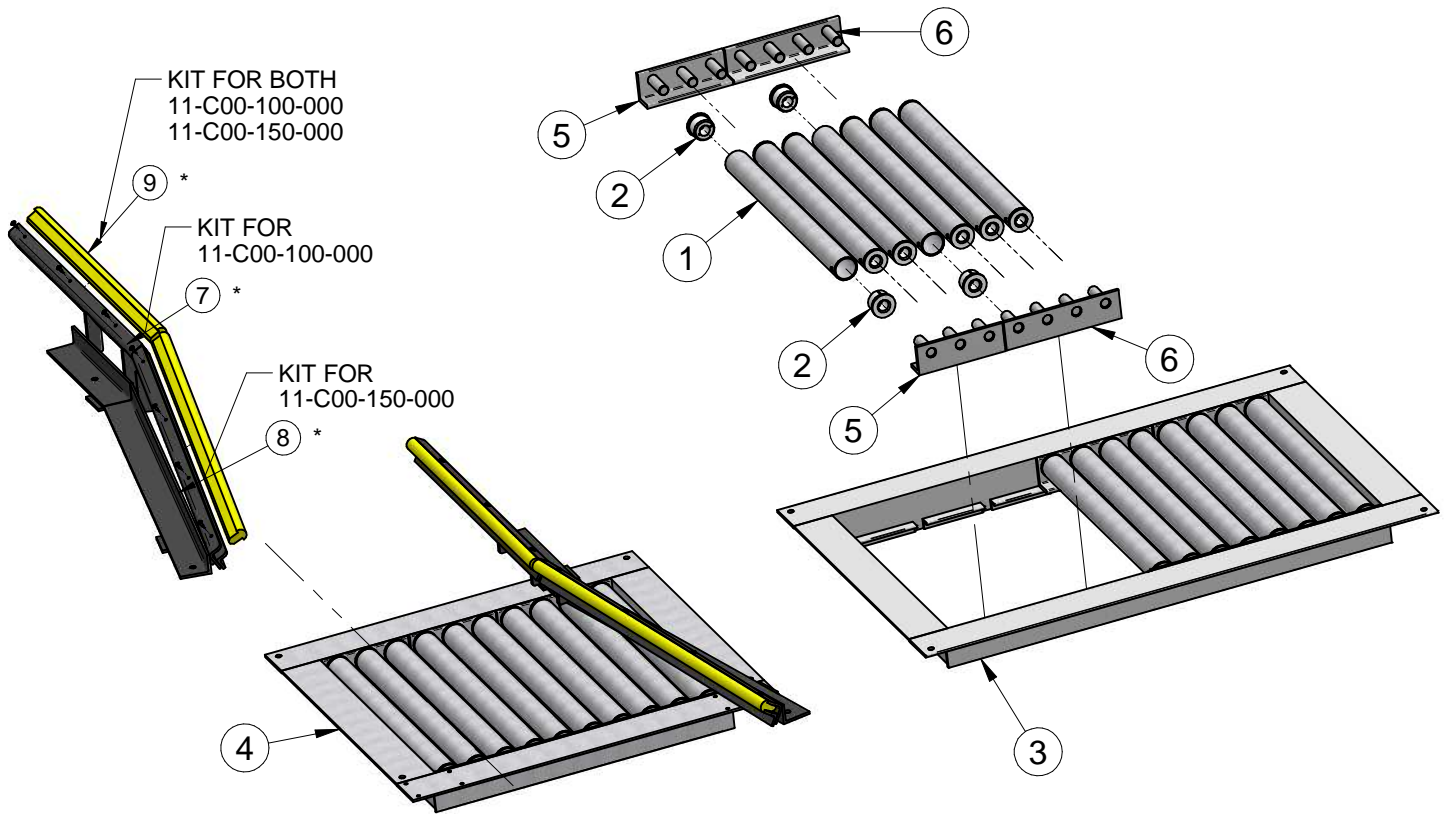
11-C00-150-000
FWP CONFIGURATION



TOP VIEW

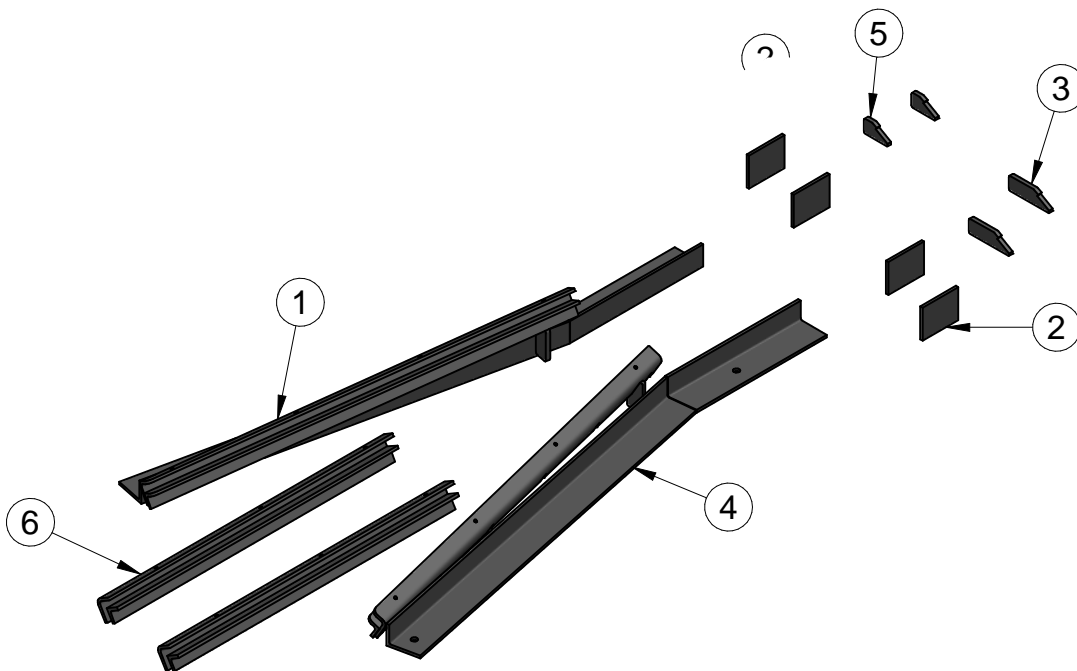


XR120 EXPLOSION & PARTS LIST



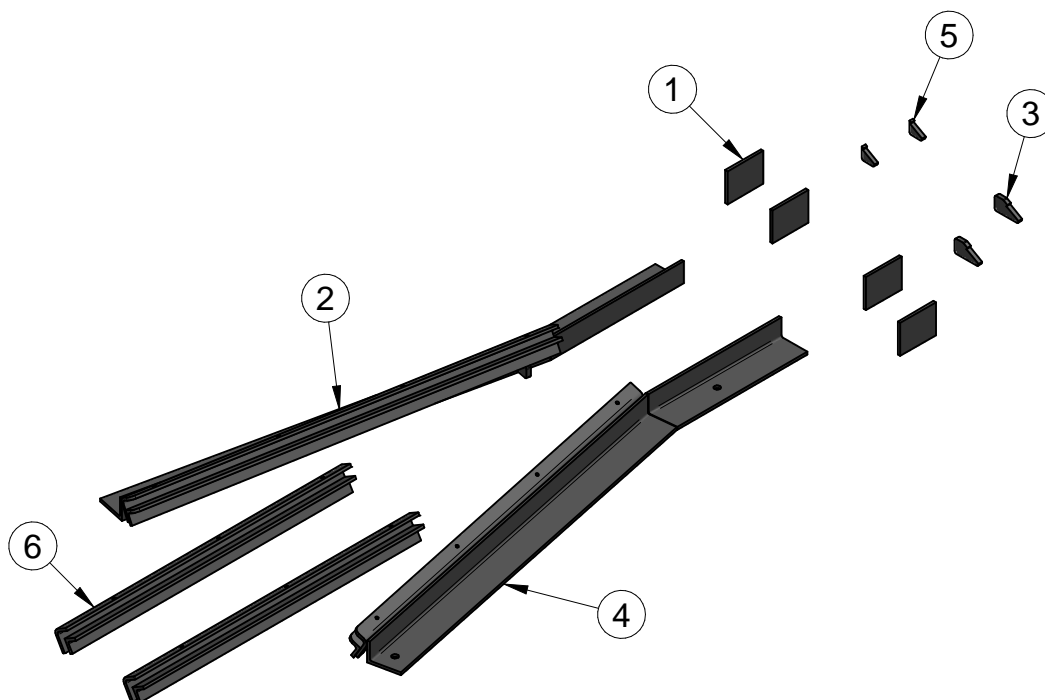
REF.	DESCRIPTION	PART NUMBER	QTY
1	CORRELATOR ROLLER 26 7/16"LG, GALV'D	11-051-01-GL	25
2	RC120 BUSHING, CORRELATOR ROLLER	11-075-00-MP	50
3	CORRELATOR FRAME RH 53" X 36" GALVANIZED	11-100-00-GL	1
4	RC120 FRAME LH 38" w/o WHL SAFE GALVANIZD	11-101-00-GL	1
5	ROLLER SUPPORT 3-PIN GALVANIZED	11-120-10-GL	6
6	ROLLER SUPPORT 4-PIN GALVANIZED	11-124-00-GL	8
7*	XR1000 CORRELATOR LEAD ON KIT (RWP)	11-M01-10-MP	1
8*	XR1000 CORRELATOR LEAD ON KIT (FWP)	11-M01-15-MP	1
9*	XR1000 UHMW GUIDE RAIL KIT	75-44M-01-MP	1

11-M01-10-MP KIT FOR 11-C00-100-00 SHIPPING CONFIGURATION & PARTS LIST



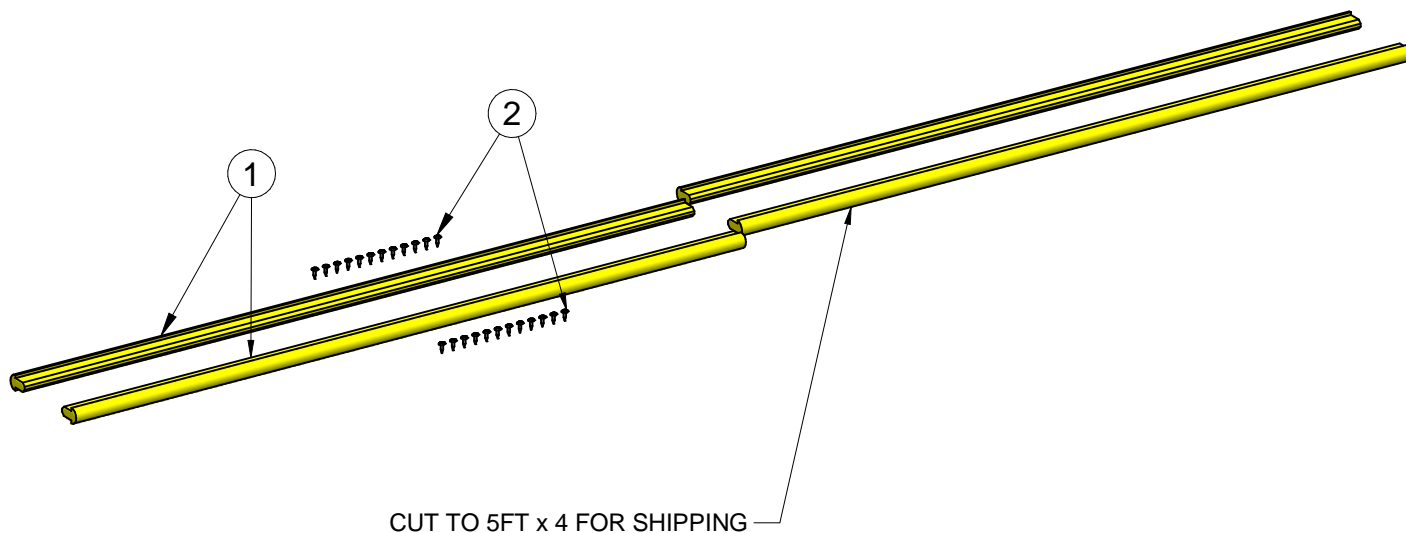
REF.	DESCRIPTION	PART NUMBER	QTY
1	LEAD-ON, FIXED DS (RWP)	11-M01-00-MP	1
2	Foot	11-M01-01	4
3	Stub Rail Bracket, Tall	11-M01-03	2
4	LEAD-ON, FIXED PS (RWP)	11-M02-00-MP	1
5	Stub Rail Bracket, Short	11-M02-03	2
6	LEAD ON FIXED RAIL WELDMENT	11-M05-00-MP	2

11-M01-15-MP KIT FOR 11-C00-150-00 SHIPPING CONFIGURATION & PARTS LIST



REF.	DESCRIPTION	PART NUMBER	QTY
1	Foot	11-M01-01	4
2	LEAD-ON FIXED DS (FWP)	11-M03-00-MP	1
3	Stub Rail Bracket DS - Short	11-M03-01	2
4	LEAD-ON FIXED PS (FWP)	11-M04-00-MP	1
5	Stub Rail Bracket PS - Short	11-M04-01	2
6	LEAD ON FIXED RAIL WELDMENT	11-M05-00-MP	2

75-44M-01-MP UHMW GUIDE RAIL KIT & PARTS LIST



REF.	DESCRIPTION	PART NUMBER	QTY
1	MUSHROOM PROFILE RAIL 10FT	44-M00-02-005	2
2	SCREW SS SHEET METAL PHL TRUSS-HD #10-12 x 3/4"	83-904-012-SIC	24