

## DOCUMENT #EPL-WB600

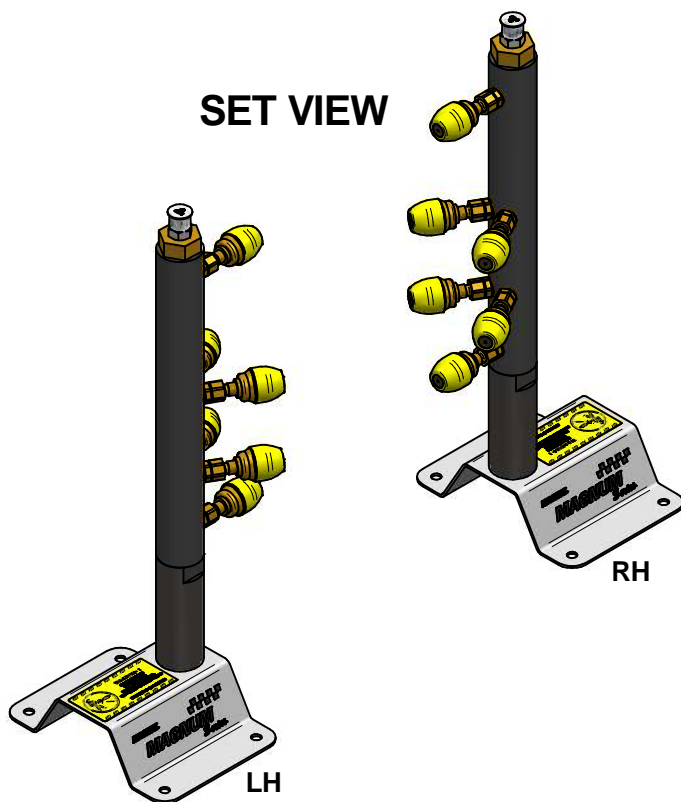
### INCLUDES:

**WB600** MAGNUM WHEEL BLASTER - 6 NOZZLE FIXED UNIT

**WB600FF** MAGNUM WHEEL BLASTER - 6 NOZZLE FOLLOW FEATURE

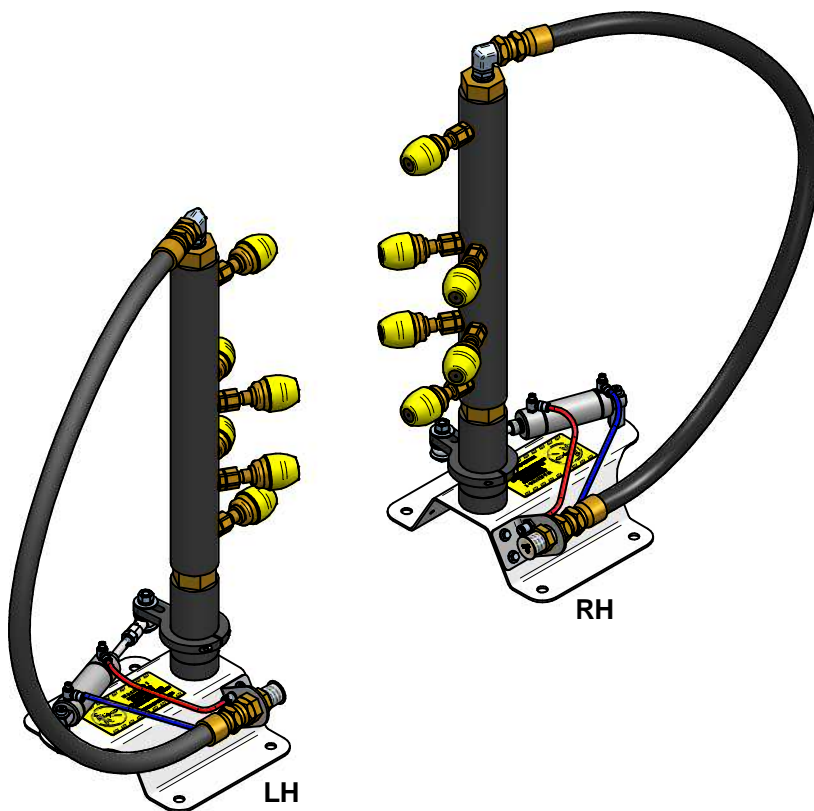


### SET VIEW

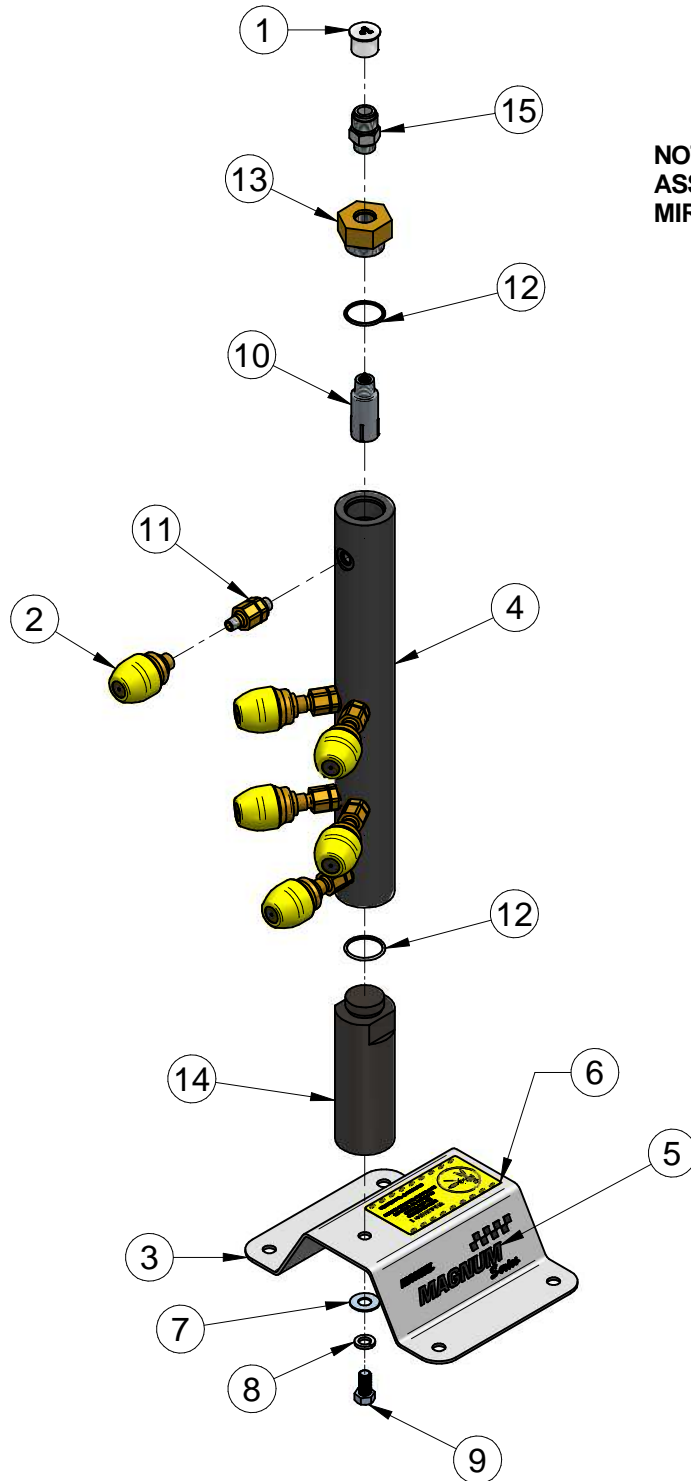


**WB600 6-Nozzle Fixed Unit**  
#14-B61-000-600

**WB600FF 6-Nozzle Follow Feature**  
#14-B62-000-600



14-B61-000-600 EXPLOSION



**NOTE:**  
ASSEMBLY FOR RH  
MIRROR IMAGE FOR LH



# Magnum Wheel Blaster - 6 Nozzles Parts List

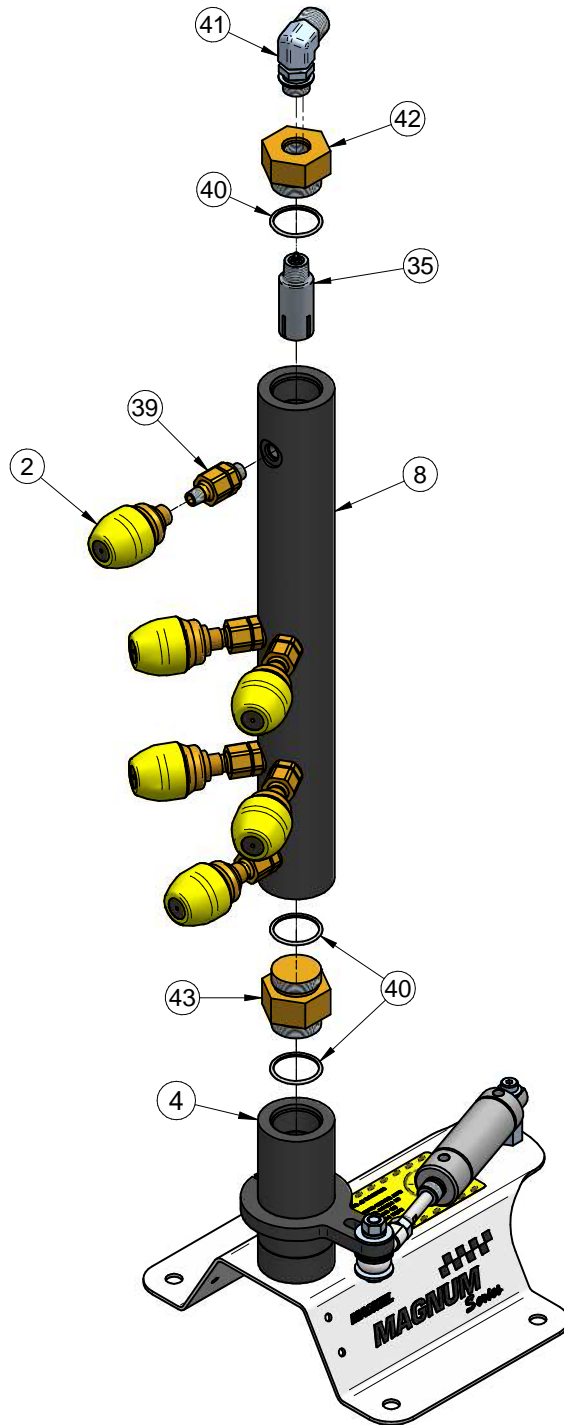
March 2017 Rev.E

## 14-B61-000-600 PARTS LIST

REF.	DESCRIPTION	PART NUMBER	QTY
1	PIPE CAP, PLASTIC 1-1/16" T-13X	05-090-12-PP	1
2	TURBO NOZZLE 1001761 #3.0-1.5 GPM HFI BLAST TEC NOZZLE	10-220-17-PP	6
3	WHEEL BLASTER BASE FIXED UNIVSERAL SS 10ga	14-103-01-PP	1
4	WHEEL BLASTER MANIFOLD 6-PORT BK	14-106-21-BK	1
5	MAGNUM DECAL 6.5"W	36-014-01-PP	1
6	WARNING DECAL - WHEEL BLASTER	36-014-02-PP	1
7	WSHR SS FLAT 1/2"	80-108-000-SI	1
8	LOCK WASHER SS 1/2"	80-908-000-SI	1
9	HHCS SS 1/2-13 x 1"	82-508-016-SIC	1
10	1/2" NPT PVC IN-LINE ADJUSTABLE CHECK VALVE	90-148-05-PP	1
11	FTG ASSY SWIVEL BALL BR 9-18 UNF X 1/4"NPT	90-237-10-PP	6
12	O-RING, ID 1-1/2" 568-920 90D	90-450-12-PP	2
13	WHEEL BLASTER SHORT INSERT	95-040-01-MP	1
14	WHEEL BOSS BLASTER RETRO POST AL BLK ANO'D	95-040-04-BK	1
15	FTG HYD REDUCER 1-1/16"-12 MJIC X 7/8-14 MORB	95-306-10-PP	1

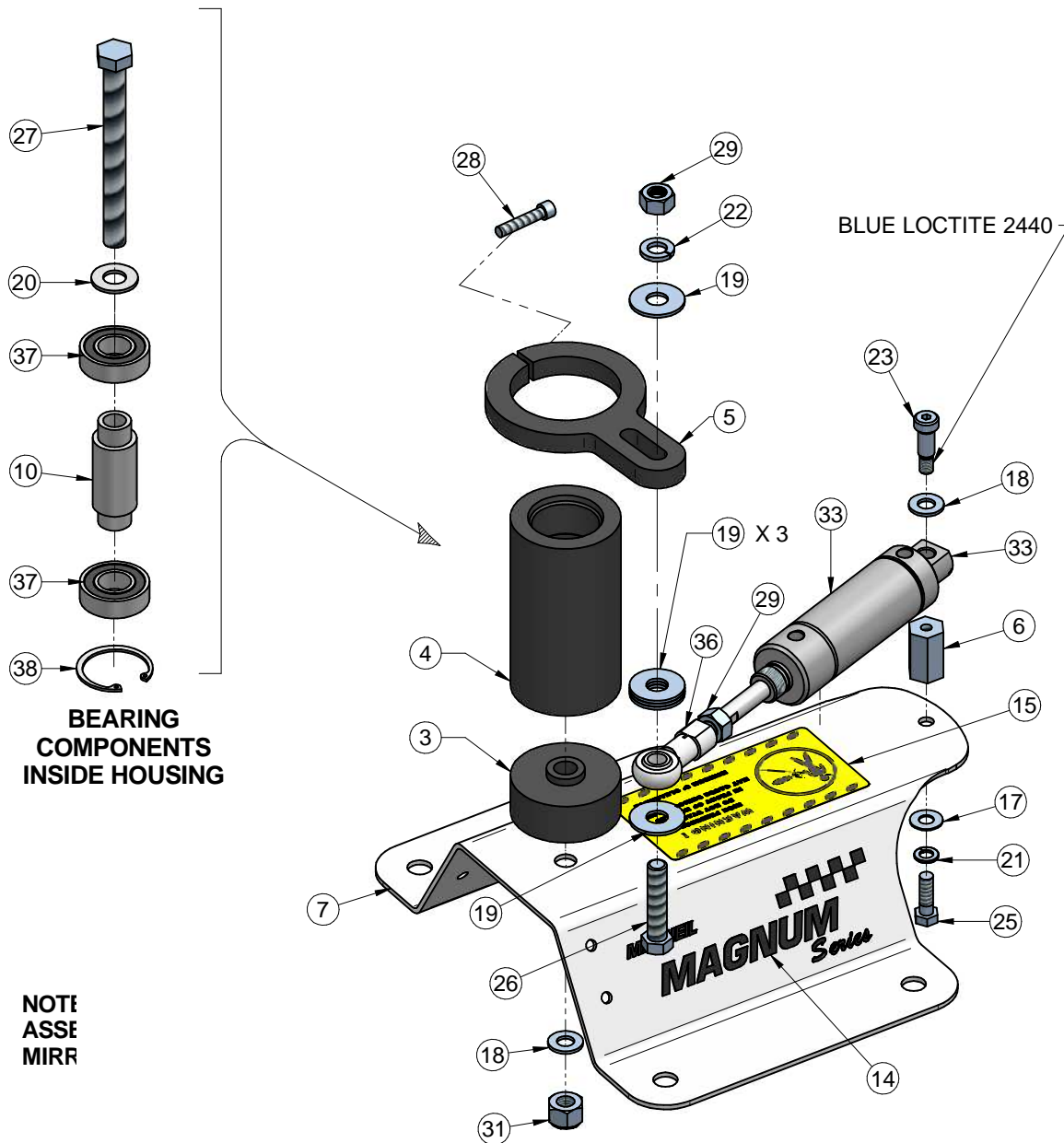
**QTY x 2 FOR SET**

### 14-B62-000-600 EXPLOSION



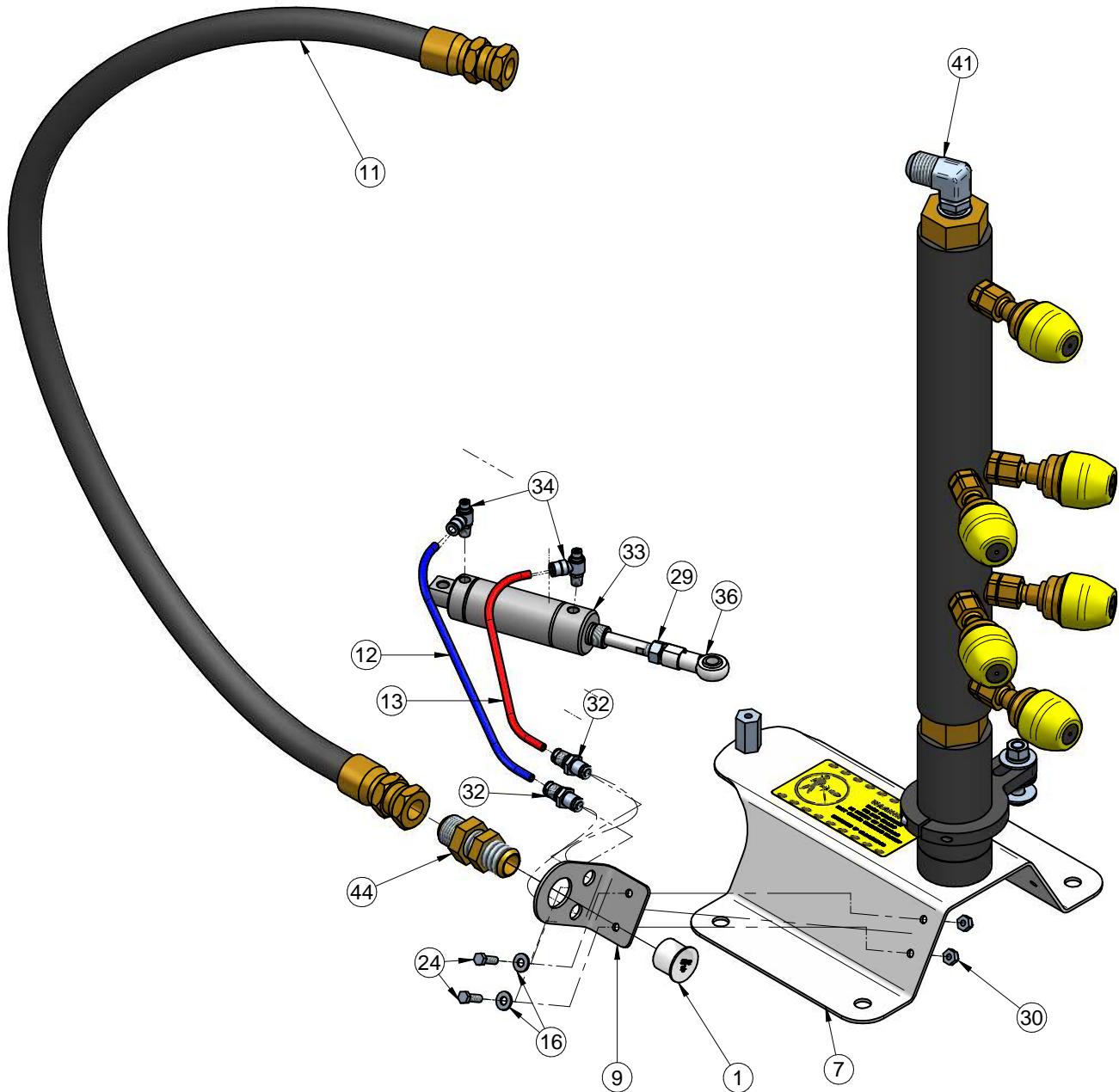
**NOTE:**  
ASSEMBLY FOR RH  
MIRROR IMAGE FOR LH

14-B62-000-600 EXPLOSION





### 14-B62-000-600 EXPLOSION



**ASSEMBLY FOR RH  
MIRROR IMAGE FOR LH**

## 14-B62-000-600 PARTS LIST

REF.	DESCRIPTION	PART NUMBER	QTY
1	PIPE CAP, PLASTIC 1-1/16" T-13X	05-090-12-PP	1
2	TURBO NOZZLE 1001761 #3.0-1.5 GPM HFI BLAST TEC NOZZLE	10-220-17-PP	6
3	WHEEL BLASTER SPACER (BLK)	14-100-01-BK	1
4	BEARING HOUSING BLACK	14-100-02-BK	1
5	CYLINDER TUBE CLAMP (BLK)	14-100-03-BK	1
6	3/4" HEX SPACER SS (1-1/4"LONG)	14-100-04-MP	1
7	PIVOTING WHEEL BLASTER BASE	14-106-01-PP	1
8	WHEEL BLASTER MANIFOLD 6-PORT BK	14-106-21-BK	1
9	SS HOSE BRACKET	14-106-32-PP	1
10	BEARING SPACER	14-106-43-MP	1
11	HOSE ASSY 45-3/8" GH663-12 w/ 1AA12FJ12 (X2)	14-106-54-PP	1
12	TUBE NY BLU .250"OD	33-361-20-4BU	11 3/16 in.
13	TUBE NY RED .250"OD	33-361-20-4RD	9 3/16 in.
14	MAGNUM DECAL 6.5"W	36-014-01-PP	1
15	WARNING DECAL - WHEEL BLASTER	36-014-02-PP	1
16	WSHR SS FLAT 1/4" (0.056"/0.063"THK)	80-104-000-SI	2
17	WSHR SS FLAT 5/16"	80-105-000-SI	1
18	WSHR SS FLT 3/8" .071-.082THK .75"OD/.406"ID	80-106-000-SI	2
19	WASHER SS FLAT 7/16"	80-107-000-SI	5
20	WASHER FLAT 1/2" SS	80-208-000-SI	1
21	WSHR SS LOCK 5/16"	80-905-000-SI	1
22	WSHR SS LOCK 7/16"	80-907-000-SI	1

**QTY x 2 FOR SET**



### 14-B62-000-600 PARTS LIST

REF.	DESCRIPTION	PART NUMBER	QTY
23	SHSS SS DIA. 3/8" x 3/4" (5/16"-18 UNC)	82-406-012-SIC	1
24	HHCS SS 1/4"-20 x 3/4"	82-504-012-SIC	2
25	HHCS SS 5/16"-18 X 1"	82-505-016-SIC	1
26	HHCS SS 7/16"-20 x 2"	82-507-032-SIF	1
27	HHCS 1/2"-13 x 5" SS	82-508-080-SIC	1
28	SHCS SS 1/4"-20 x 1-1/4"	82-704-020-SIC	1
29	NUT SS 7/16"-20	84-007-000-SIF	2
30	NUT SS NYLOCK 1/4"-20	85-004-000-SIC	2
31	NUT SS NYLOCK 1/2"-13	85-008-000-SIC	1
32	FTG BULKHD AIR 1/4"-1/4"TBE 6590-04-00	90-005-01-PP	2
33	CYLINDER AIR 1-1/2" BORE X 2" STROKE	90-100-11-PP	1
34	THROTTLE VALVE 1/8"NPT-1/4"TBE NKLPLTRING	90-140-03-PP	2
35	1/2" NPT PVC IN-LINE ADJUSTABLE CHECK VALVE	90-148-05-PP	1
36	ROD END TR7-N-SS 7/16"-20 F c/w GR.NPL 10/32	90-151-04-PP	1
37	BEARING 6203-12-2RS KSM	90-195-02-PP	2
38	BEARING RETAINER CLIP	90-195-03-PP	1
39	FTG ASSY SWIVEL BALL BR 9-18 UNF X 1/4"NPT	90-237-10-PP	6
40	O-RING, ID 1-1/2" 568-920 90D	90-450-12-PP	3
41	FTG HYD 7/8-14MORB X 3/4"MJIC 90° ELBOW 2062-10-12S	95-030-01-PP	1
42	WHEEL BLASTER SHORT INSERT	95-040-01-MP	1
43	BRASS CYLINDER JOINER FOR FF	95-040-03-MP	1
44	FTG HYD BULKHEAD 3/4"-14 X JIC-12 1-1/16" 2041-12-12S	95-311-12-PP	1

**QTY x 2 FOR SET**