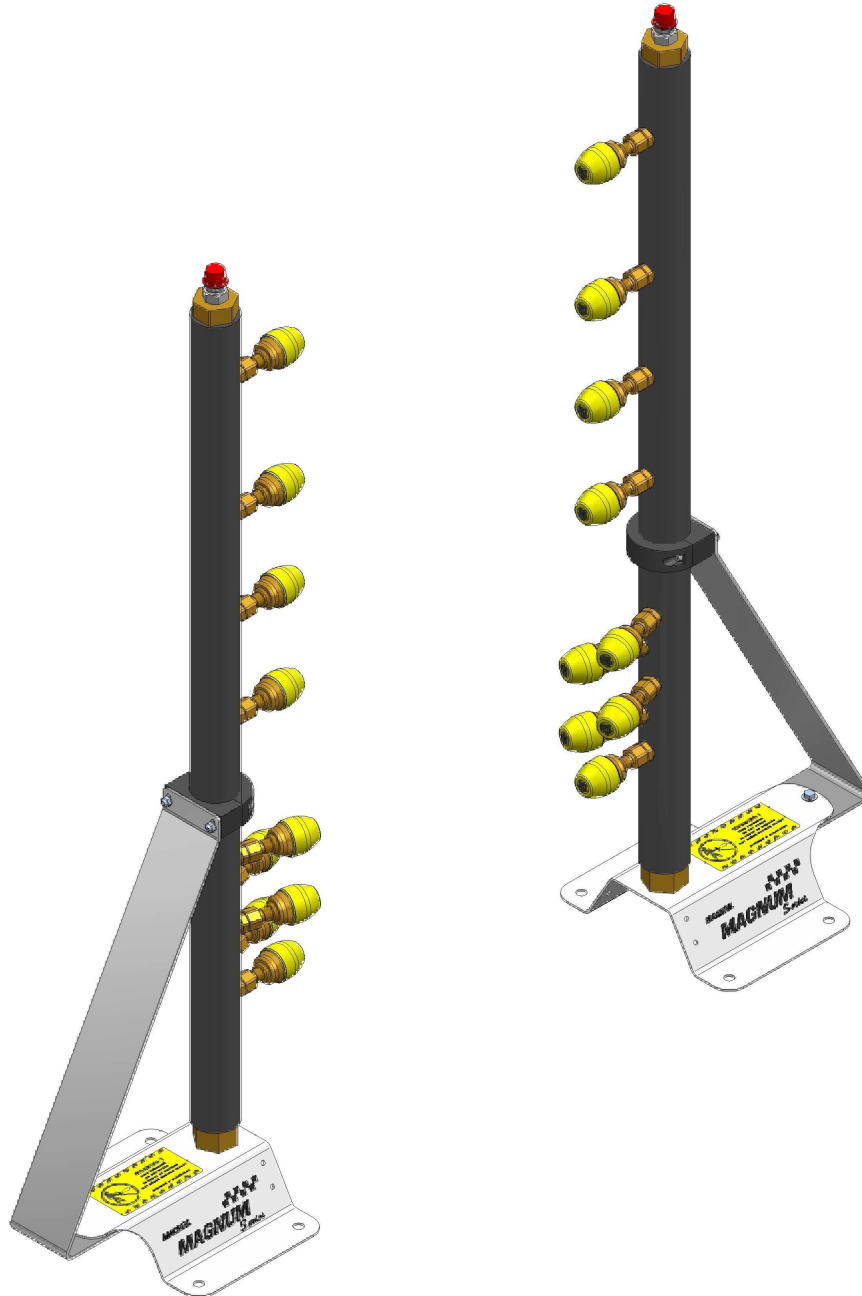


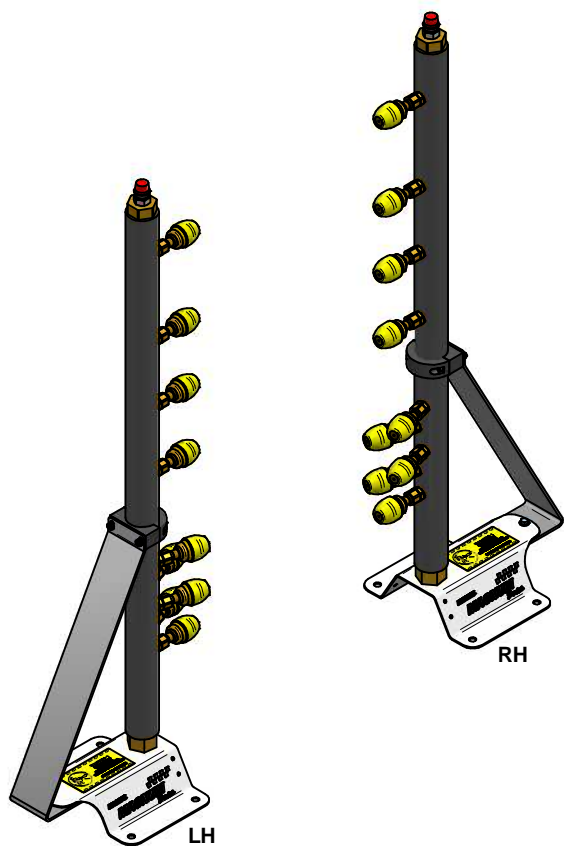
DOCUMENT #EPL-SB900

INCLUDES:

SB900 MAGNUM SIDE BLASTER - 9 NOZZLE FIXED UNIT

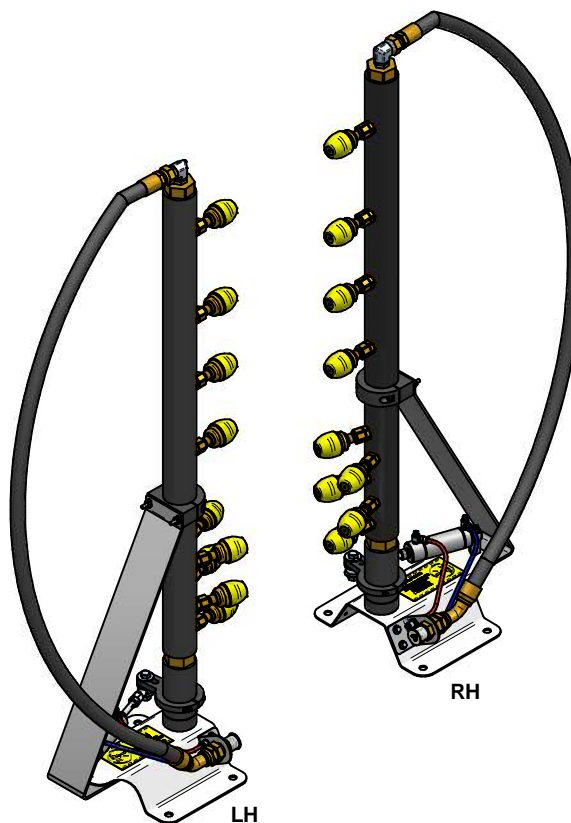
SB900FF MAGNUM SIDE BLASTER - 9 NOZZLE FOLLOW FEATURE





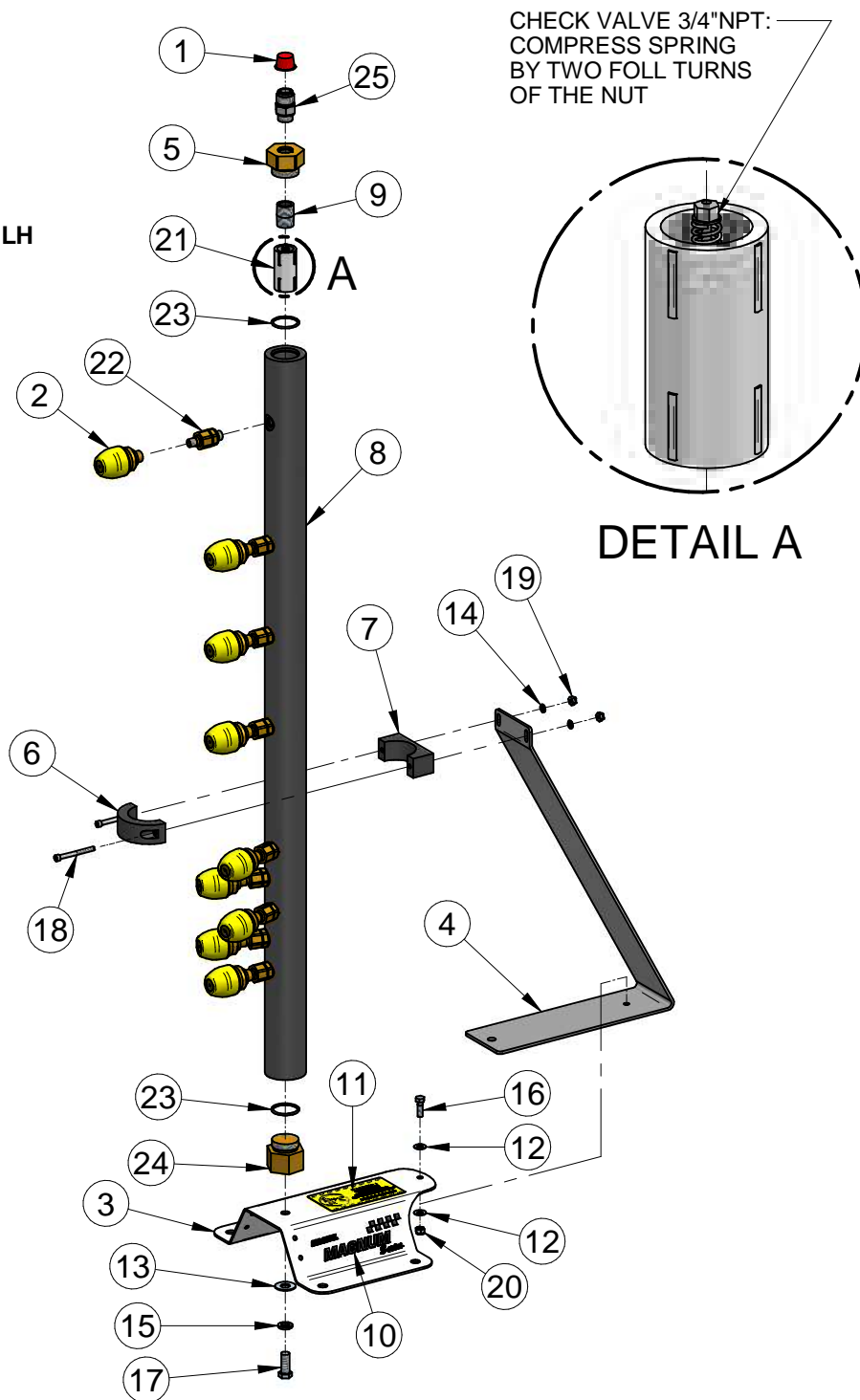
**SB900 9-Nozzle Fixed Unit
#14-B91-000-600**

**SB900FF 9-Nozzle Follow Feature
#14-B92-000-600**



14-B91-000-600 EXPLOSION

NOTE:
ASSEMBLY FOR RH
MIRROR IMAGE FOR LH

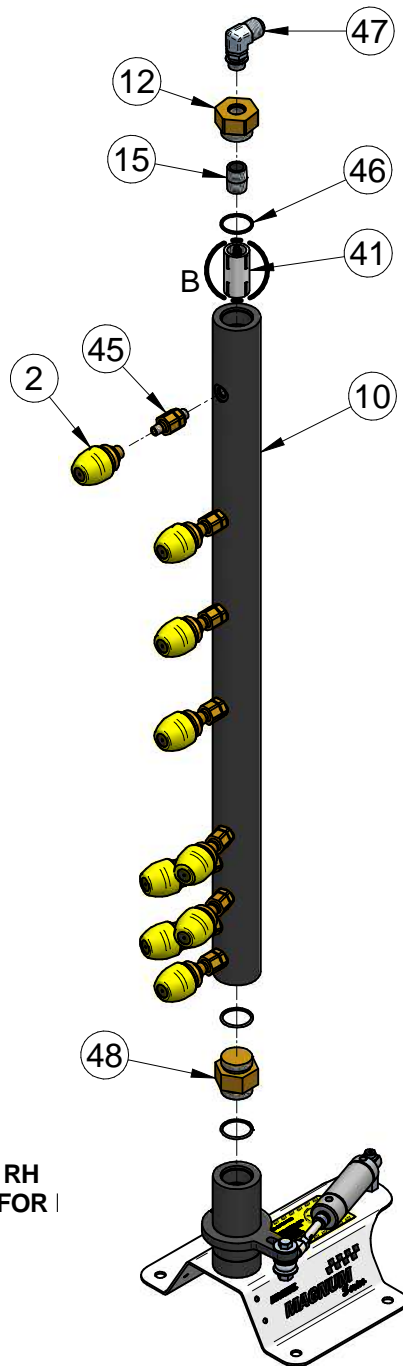


14-B91-000-600 PARTS LIST

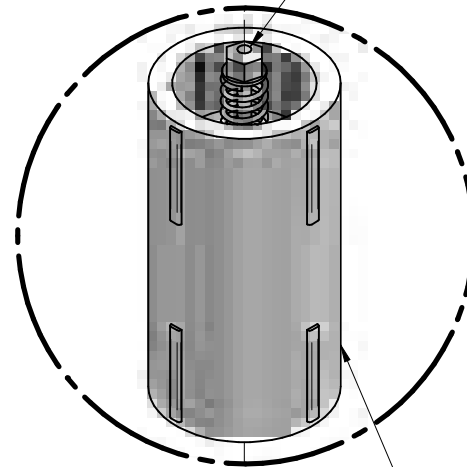
REF.	DESCRIPTION	PART NUMBER	QTY
1	PLUG #40 RED TAPERED FOR 1"PORT 040A	05-090-14-PP	1
2	TURBO NOZZLE 1001761 #3.0-1.5 GPM HFI BLAST TEC NOZZLE	10-220-17-PP	9
3	PIVOTING WHEEL BLASTER BASE	14-106-01-PP	1
4	SIDE BLASTER BRACE	14-900-02-PP	1
5	NOZZLE TOP INSERT BRASS 3/4"NPT	14-900-05-MP	1
6	MANIFOLD CLAMP - TOP	14-900-11-MP	1
7	MANIFOLD CLAMP - BASE	14-900-12-MP	1
8	WHEEL BLASTER MANIFOLD 9-NZL FXD AL BLK ANO'D - 47-1/4"	14-903-02-BK	1
9	FTG CLOSE NIPPLE 3/4"MPT SCH80 PVC	16-031-17-PP	1
10	MAGNUM DECAL 6.5"W	36-014-01-PP	1
11	WARNING DECAL - WHEEL BLASTER	36-014-02-PP	1
12	WSHR SS FLAT 5/16"	80-105-000-SI	2
13	WSHR SS FLAT 1/2"	80-108-000-SI	1
14	WSHR SS FLAT SMALL-OD 1/4"	80-304-000-SI	2
15	LOCK WASHER SS 1/2"	80-908-000-SI	1
16	HHCS SS 5/16"-18 X 1"	82-505-016-SIC	1
17	HHCS SS 1/2"-13 X 1 1/4"	82-508-020-SIC	1
18	SHCS SS 1/4"-20 x 2-1/2"	82-704-040-SIC	2
19	NUT SS NYLOCK 1/4"-20	85-004-000-SIC	2
20	NYLOCK NUT 5-/16" -18	85-005-000-SIC	1
21	CHECK VALVE SS 3/4" S1100-07 SPEARS	90-148-07-PP	1
22	FTG ASSY SWIVEL BALL BR 9-18 UNF X 1/4"NPT	90-237-10-PP	9
23	O-RING, ID 1-1/2" 568-920 90D	90-450-12-PP	2
24	FIXED WHEEL BLASTER LOWER PLUG BR MACH'D	95-040-02-MP	1
25	FTG HYD REDUCER 1-1/16"-12 MJIC X 7/8-14 MORB	95-306-10-PP	1

QTY X 2 FOR SET

14-B92-000-600 EXPLOSION



COMPRESS THE SPRING
BY 2 FULL TURNS
OF THE NUT

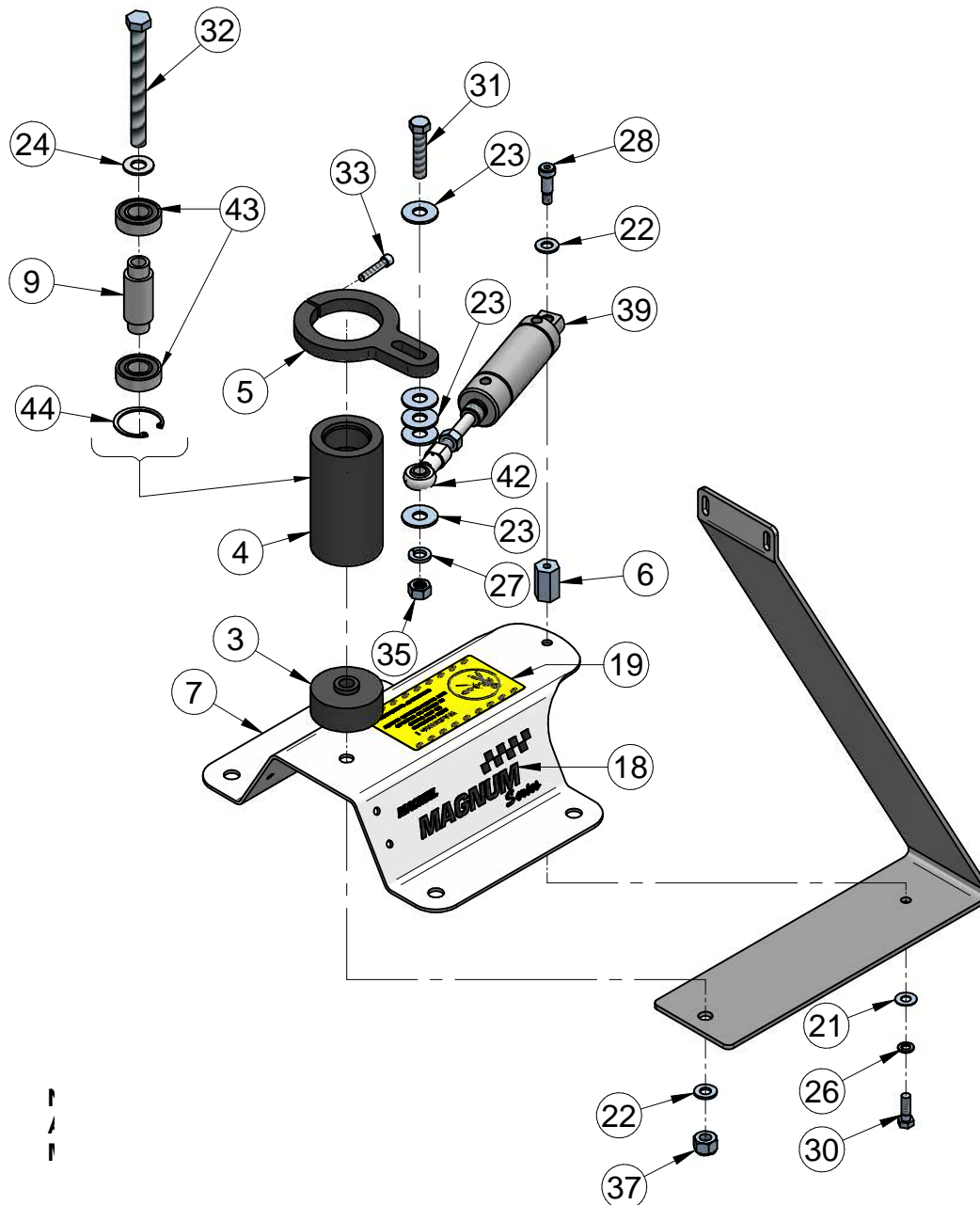


DETAIL B

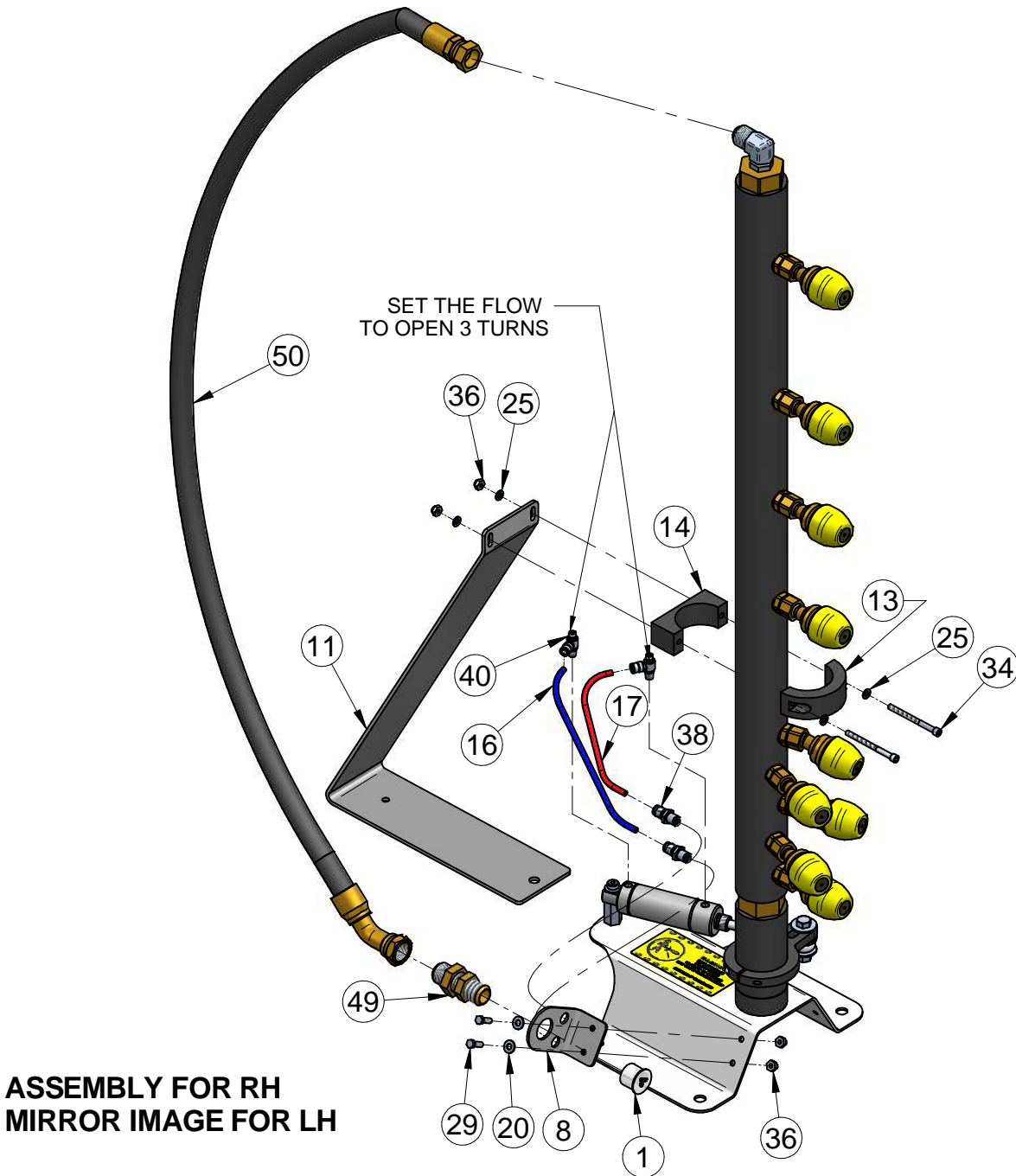
REMOVE DECAL PRIOR
TO INSTALLATION

NOTE:
ASSEMBLY FOR RH
MIRROR IMAGE FOR L

14-B92-000-600 EXPLOSION



14-B92-000-600 EXPLOSION



14-B92-000-600 PARTS LIST

REF.	DESCRIPTION	PART NUMBER	QTY
1	PIPE CAP, PLASTIC 1-1/16" T-13X	05-090-12-PP	1
2	TURBO NOZZLE 1001761 #3.0-1.5 GPM HFI BLAST TEC NOZZLE	10-220-17-PP	9
3	WHEEL BLASTER SPACER (BLK)	14-100-01-BK	1
4	BEARING HOUSING BLACK	14-100-02-BK	1
5	CYLINDER TUBE CLAMP (BLK)	14-100-03-BK	1
6	3/4" HEX SPACER SS (1-1/4"LONG)	14-100-04-MP	1
7	PIVOTING WHEEL BLASTER BASE	14-106-01-PP	1
8	SS HOSE BRACKET	14-106-32-PP	1
9	BEARING SPACER	14-106-43-MP	1
10	9 PORT PIVOTING SIDE BLASTER MNFLD BLACK - 41-3/4"	14-900-01-BK	1
11	SIDE BLASTER BRACE	14-900-02-PP	1
12	NOZZLE TOP INSERT BRASS 3/4"NPT	14-900-05-MP	1
13	MANIFOLD CLAMP - TOP	14-900-11-MP	1
14	MANIFOLD CLAMP - BASE	14-900-12-MP	1
15	FTG CLOSE NIPPLE 3/4"MPT SCH80 PVC	16-031-17-PP	1
16	TUBE NY BLU .250"OD	33-361-20-4BU	11 3/16 in.
17	TUBE NY RED .250"OD	33-361-20-4RD	9 3/16 in.
18	MAGNUM DECAL 6.5"W	36-014-01-PP	1
19	WARNING DECAL - WHEEL BLASTER	36-014-02-PP	1
20	WSHR SS FLAT 1/4" (0.056"/0.063"THK)	80-104-000-SI	2
21	WSHR SS FLAT 5/16"	80-105-000-SI	1
22	WSHR SS FLT 3/8" .071-.082THK .75"OD/.406"ID	80-106-000-SI	2
23	WASHER SS FLAT 7/16"	80-107-000-SI	5
24	WASHER FLAT 1/2" SS	80-208-000-SI	1
25	WSHR SS FLAT SMALL-OD 1/4"	80-304-000-SI	4

QTY x 2 FOR SET

14-B92-000-600 PARTS LIST

REF.	DESCRIPTION	PART NUMBER	QTY
26	WSHR SS LOCK 5/16"	80-905-000-SI	1
27	WSHR SS LOCK 7/16"	80-907-000-SI	1
28	SHSS SS DIA. 3/8" x 3/4" (5/16"-18 UNC)	82-406-012-SIC	1
29	HHCS SS 1/4"-20 x 3/4"	82-504-012-SIC	2
30	HHCS SS 5/16"-18 X 1"	82-505-016-SIC	1
31	HHCS SS 7/16"-20 x 2"	82-507-032-SIF	1
32	HHCS 1/2"-13 x 5" SS	82-508-080-SIC	1
33	SHCS SS 1/4"-20 x 1-1/4"	82-704-020-SIC	1
34	SHCS SS 1/4-20 x 3 "	82-704-048-SIC	2
35	NUT SS 7/16"-20	84-007-000-SIF	2
36	NUT SS NYLOCK 1/4"-20	85-004-000-SIC	4
37	NUT SS NYLOCK 1/2"-13	85-008-000-SIC	1
38	FTG BULKHD AIR 1/4"-1/4" TBE 6590-04-00	90-005-01-PP	2
39	CYLINDER AIR 1-1/2" BORE X 2" STROKE	90-100-11-PP	1
40	THROTTLE VALVE 1/8"NPT-1/4" TBE NKLPLTRING	90-140-03-PP	2
41	CHECK VALVE SS 3/4" S1100-07 SPEARS	90-148-07-PP	1
42	ROD END TR7-N-SS 7/16"-20 F c/w GR.NPL 10/32	90-151-04-PP	1
43	BEARING 6203-12-2RS KSM	90-195-02-PP	2
44	BEARING RETAINER CLIP	90-195-03-PP	1
45	FTG ASSY SWIVEL BALL BR 9-18 UNF X 1/4"NPT	90-237-10-PP	9
46	O-RING, ID 1-1/2" 568-920 90D	90-450-12-PP	3
47	FTG HYD 7/8-14MORB X 3/4" MJIC 90° ELBOW 2062-10-12S	95-030-01-PP	1
48	BRASS CYLINDER JOINER FOR FF	95-040-03-MP	1
49	FTG HYD BULKHEAD 3/4"-14 X JIC-12 1-1/16" 2041-12-12S	95-311-12-PP	1
50	60" HYD HOSE ASS'Y SAE100R17-12	95-614-00-PP	1

QTY x 2 FOR SET