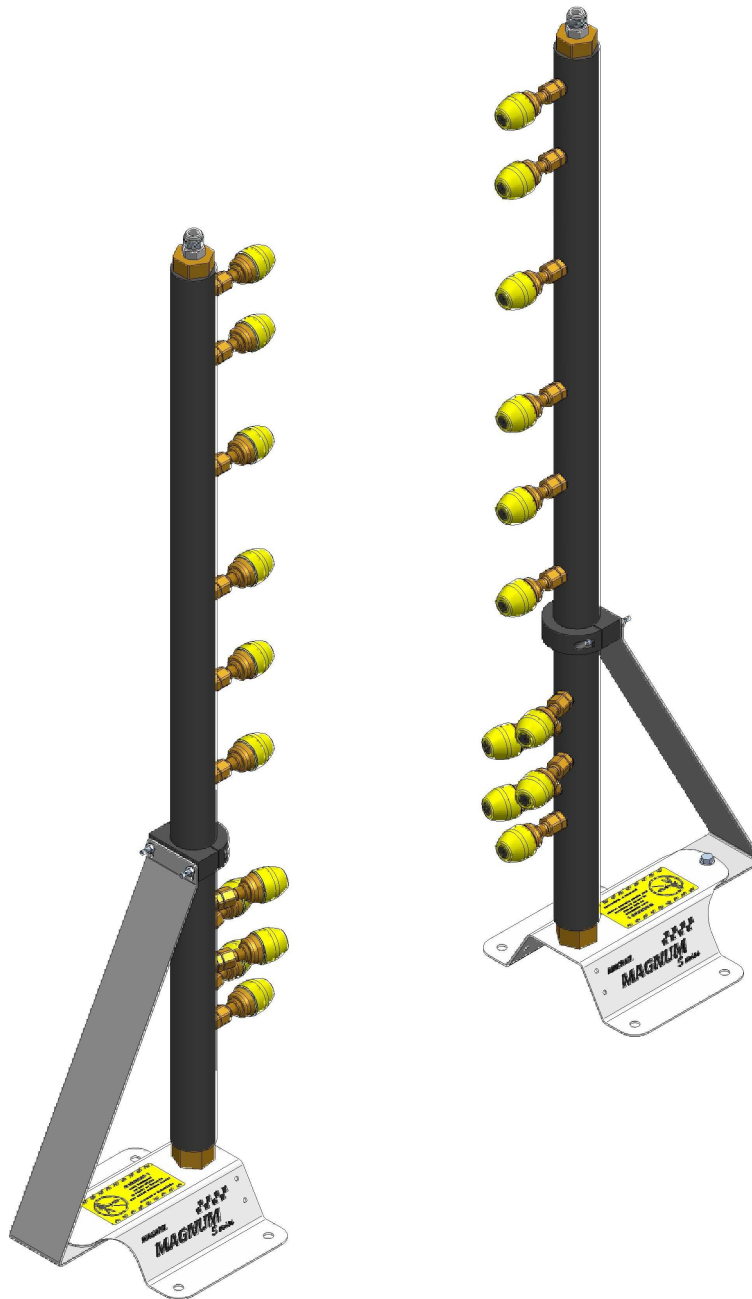


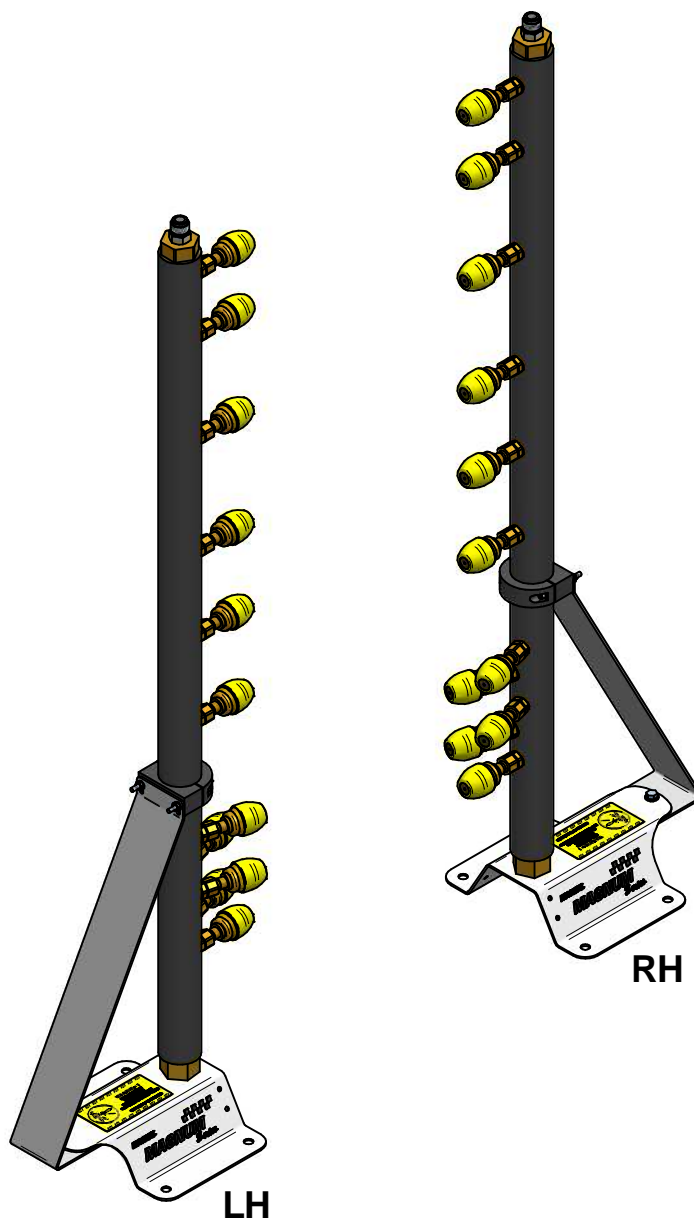
DOCUMENT #EPL-SB1100

INCLUDES:

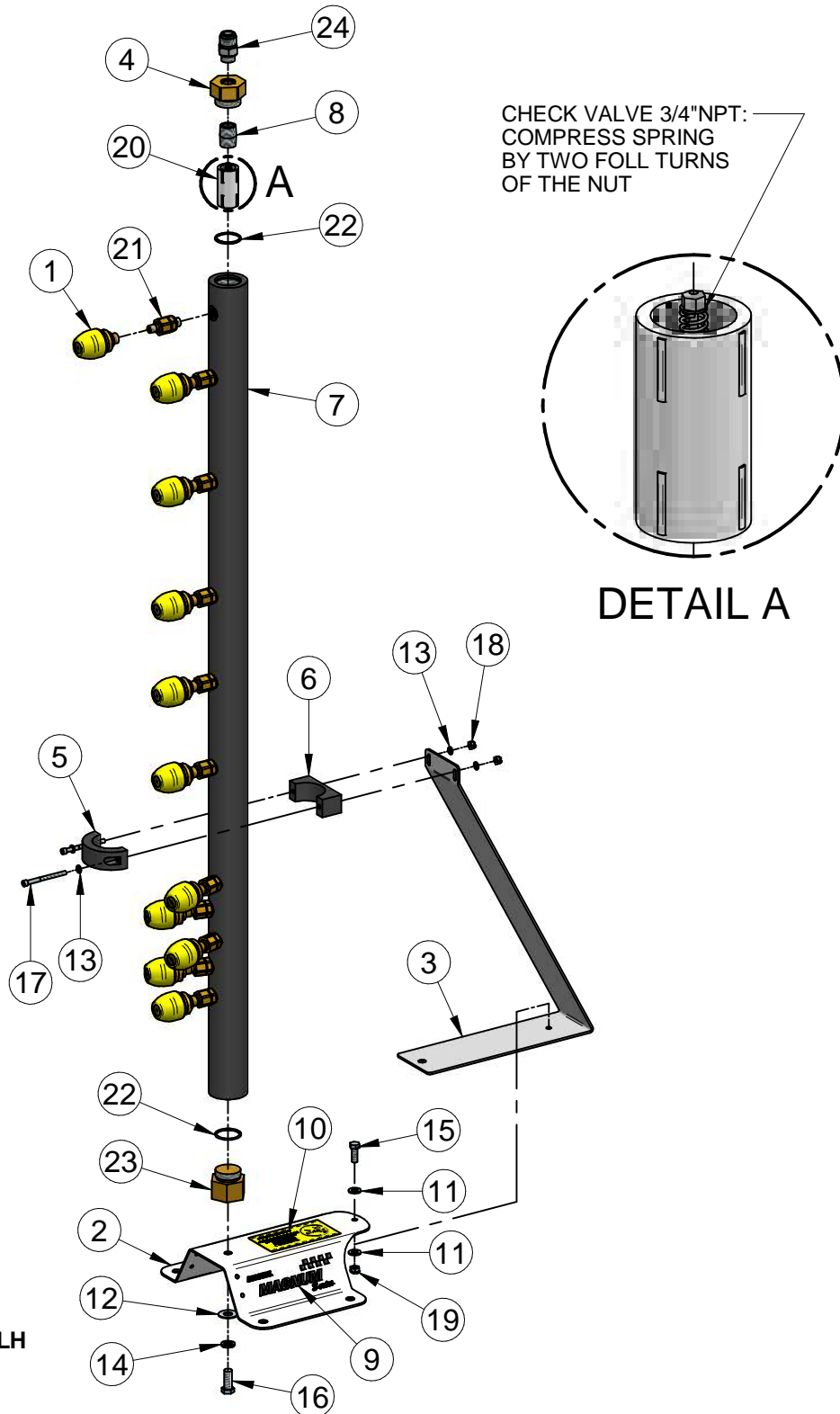
SB1100 MAGNUM SIDE BLASTER - 11 NOZZLE FIXED UNIT



SB1100 11-Nozzle Fixed Unit
#14-BP1-000-600



14-BP1-000-600 EXPLOSION



NOTE:
ASSEMBLY FOR RH
MIRROR IMAGE FOR LH

14-B91-000-600 PARTS LIST

REF.	DESCRIPTION	PART NUMBER	QTY
1	TURBO NOZZLE 1001761 #3.0-1.5 GPM HFI BLAST TEC NOZZLE	10-220-17-PP	11
2	PIVOTING WHEEL BLASTER BASE	14-106-01-PP	1
3	SIDE BLASTER BRACE SS - 9NZL PIVOT	14-900-02-PP	1
4	NOZZLE TOP INSERT BRASS 3/4"NPT	14-900-05-MP	1
5	MANIFOLD CLAMP - TOP	14-900-11-MP	1
6	MANIFOLD CLAMP - BASE	14-900-12-MP	1
7	WHEEL BLASTER 11NZL MANIFOLD ANOD. BLK	14-904-01-BK	1
8	FTG CLOSE NIPPLE 3/4"MPT SCH80 PVC	16-031-17-PP	1
9	MAGNUM DECAL 6.5"W	36-014-01-PP	1
10	WARNING DECAL - WHEEL BLASTER	36-014-02-PP	1
11	WSHR SS FLT 3/8" .071-.082THK .75"OD/.406"ID	80-106-000-SI	2
12	WSHR SS FLAT 1/2"	80-108-000-SI	1
13	WSHR SS FLAT SMALL-OD 1/4"	80-304-000-SI	4
14	LOCK WASHER SS 1/2"	80-908-000-SI	1
15	HHCS SS 3/8"-16 X 1"	82-506-016-SIC	1
16	HHCS SS 1/2"-13 X 1 1/4"	82-508-020-SIC	1
17	SHCS SS 1/4-20 x 3 "	82-704-048-SIC	2
18	NUT SS NYLOCK 1/4"-20	85-004-000-SIC	2
19	NUT SS NYLOCK 3/8"-16	85-006-000-SIC	1
20	CHECK VALVE SS 3/4" S1100-07 SPEARS	90-148-07-PP	1
21	FTG ASSY SWIVEL BALL BR 9-18 UNF X 1/4"NPT	90-237-10-PP	11
22	O-RING, ID 1-1/2" 568-920 90D	90-450-12-PP	2
23	FIXED WHEEL BLASTER LOWER PLUG BR MACH'D	95-040-02-MP	1
24	FTG HYD REDUCER 1-1/16"-12 MJIC X 7/8-14 MORB	95-306-10-PP	1

QTY X 2 FOR SET