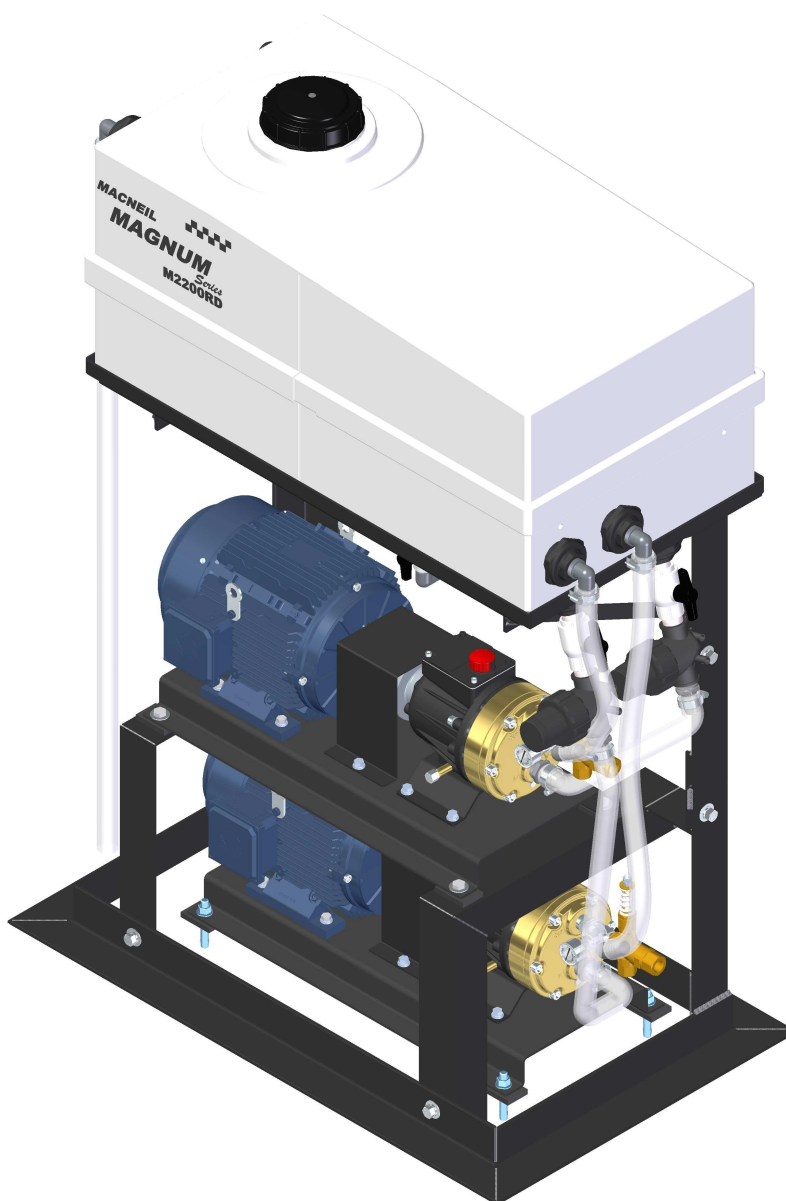
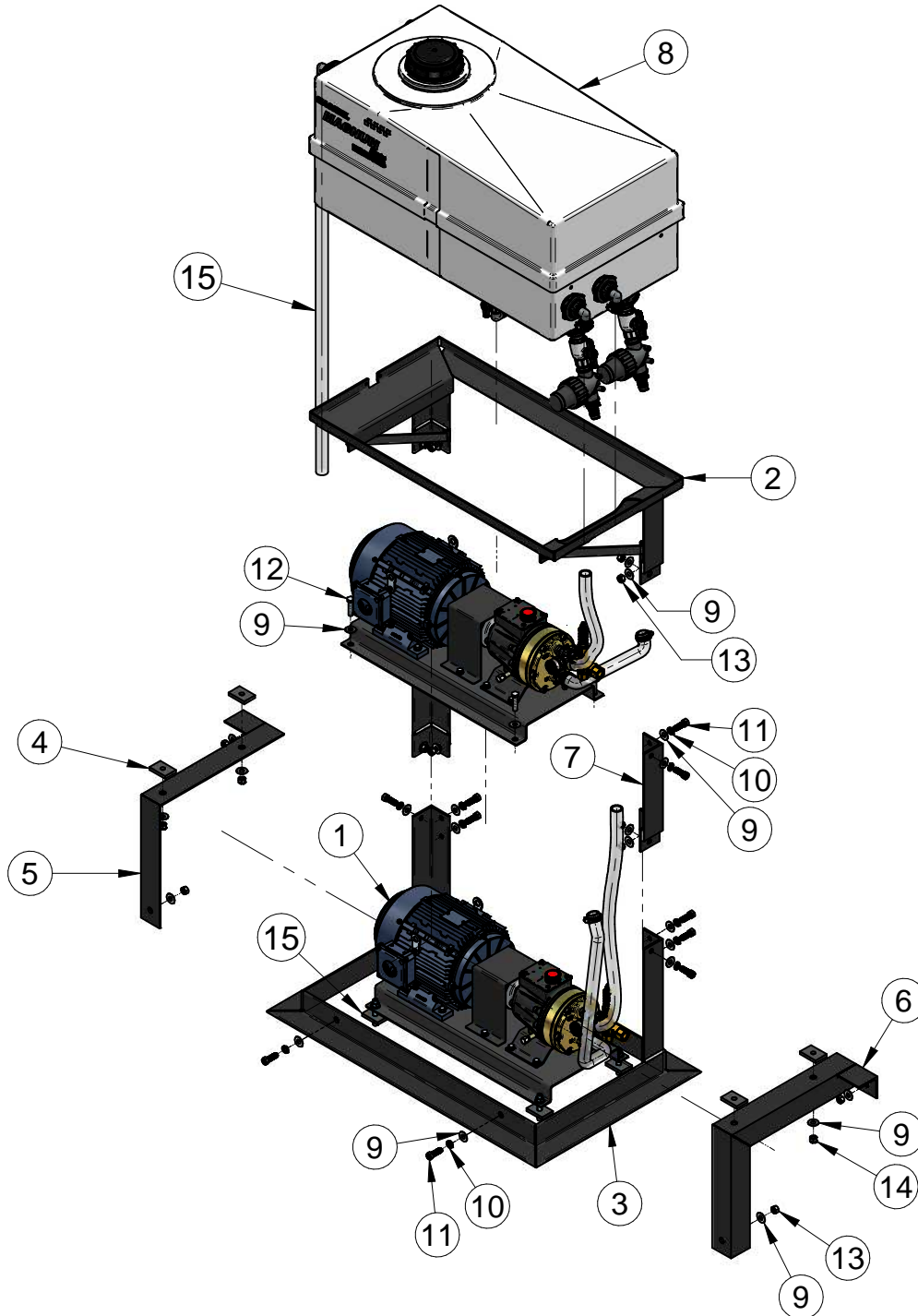


**DOCUMENT #EPL-M2200RD****INCLUDES:****16-G22-00-RD-MP M2200RD - 2x(8GPM@7.5HP) - 230/460V****75-G22-00-MP SHIPPING KIT FOR M2200RD - 2x(8GPM@7.5HP)**

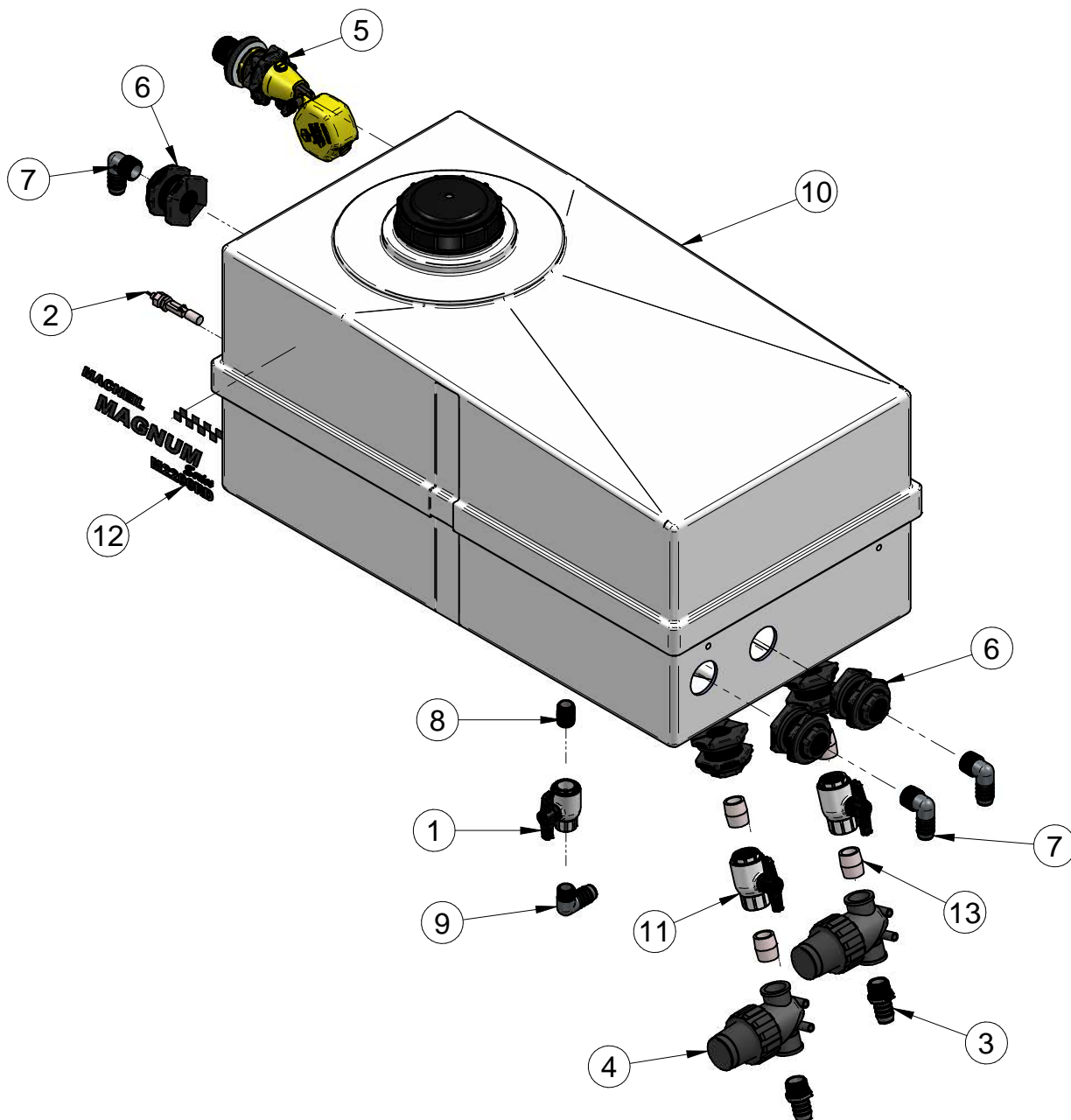
### 16-G22-00-RD-MP EXPLOSION



## 16-G22-00-RD-MP PARTS LIST

REF.	DESCRIPTION	PART NUMBER	QTY
1	M1100RD - 7.5HP MOTOR/ 8GPM PUMP ASSY-230/460V	16-G11-12-00-MP	2
2	M0100 TANK FRAME - TOP	16-G21-11-01-BK	1
3	M0100 TANK FRAME - BOTTOM	16-G21-11-02-BK	1
4	VIBRATION DAMPER	16-G21-12-12-PP	4
5	M2200 TANK FRAME - LEFT	16-G22-11-03-BK	1
6	M2200 TANK FRAME - RIGHT	16-G22-11-04-BK	1
7	M2200 TANK FRAME - MIDDLE	16-G22-11-05-BK	2
8	M2200RD - TANK ASSEMBLY	16-G22-13-00-MP	1
9	WSHR SS FLAT 1/2"	80-208-000-SI	32
10	WSHR SS LOCK 1/2"	80-908-000-SI	12
11	HHCS SS 1/2"-13 x 1-1/2" FULL THREAD	82-508-024-SIC	12
12	HHCS SS 1/2"-13 x 2"	82-508-032-SIC	4
13	NUT SS 1/2"-13	84-008-000-SIC	12
14	NUT SS NYLOCK 1/2"-13	85-008-000-SIC	4
15	KIT FOR M2200RD - 2x(8GPM@7.5HP)	75-G22-00-MP	1

16-G22-13-00-MP EXPLOSION





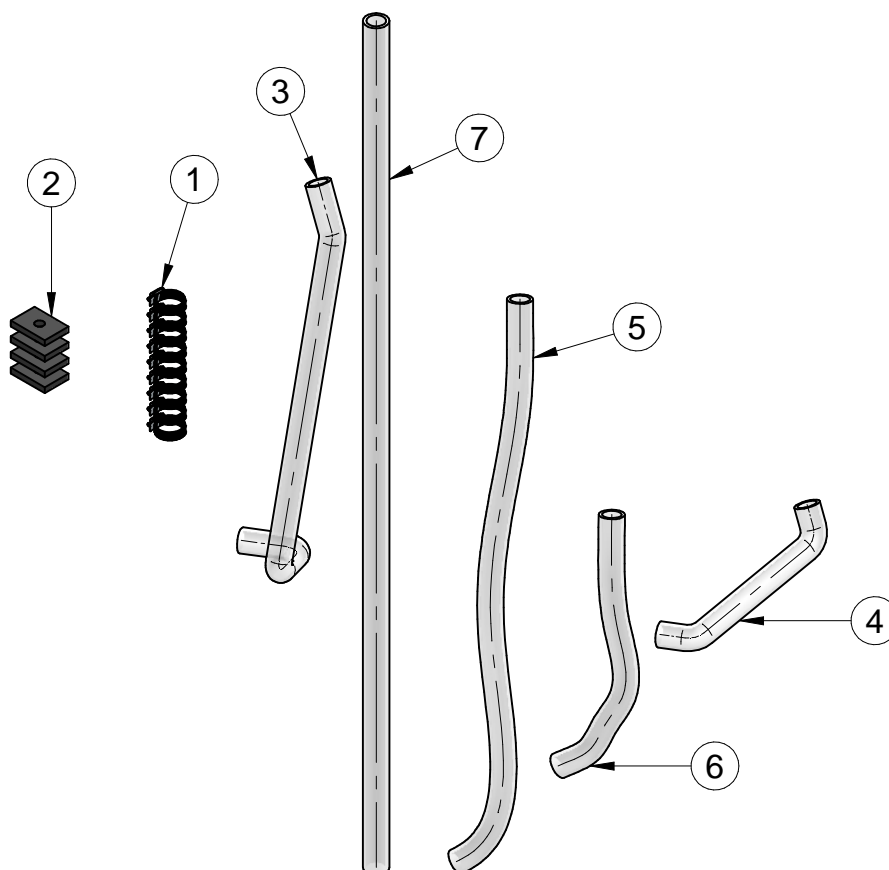
# M2200RD Magnum Pump Station Parts List

MAY. 2017 Rev.B

## 16-G22-13-00-MP PARTS LIST

REF.	DESCRIPTION	PART NUMBER	QTY
1	VALVE 3/4"FPT THREADED BALL PVC WHITE	10-100-10-PP	1
2	TANK CRITICAL LEVEL SWITCH	16-023-00-PP	1
3	FTG HOSE ADAPTOR 1" PVC 1436010	16-033-03-PP	2
4	IN LINE FILTER 1"FNPT ARAG #324 40 43N - REM. MED.	16-035-04-PP	2
5	TOPAZ COMPACT NO EXTENSION ARMS 1.25 LONG TAIL	16-G21-13-02-PP	1
6	BULKHEAD TANK FITTING - EPDM 1 IN POLY	16-G21-13-05-PP	5
7	1 PVC INSERT 90 ELL INSERTXMPT	16-G21-13-06-PP	3
8	3/4XCL PVC NIPPLE TBE SCH80	16-G21-13-07-PP	1
9	1X3/4 PVC RED 90 ELL INSERTXMPT	16-G21-13-09-PP	1
10	56 GALLON TOTAL DRAIN RECTANGLE	16-G22-13-01-MP	1
11	VALVE 1" FPT THREADED BALL PVC WHITE	16-G22-13-02-PP	2
12	DECAL - MACNEIL MAGNUM SERIES M2200RD	16-G22-13-04-PP	1
13	FTG NIPPLE 1" MNPT POLYPRO 3M100	90-231-25-PP	4

## 75-G22-00-MP PACKING KIT LIST



REF.	DESCRIPTION	PART NUMBER	QTY
1	CLAMP GEAR SS (1-1/2"ID)	16-039-21-PP	9
2	VIBRATION DAMPER	16-G21-12-12-PP	4
3	CLEAR BRAIDED HOSE 1" - 30"	16-G22-00-01-MP	1
4	CLEAR BRAIDED HOSE 1" - 20"	16-G22-00-02-MP	1
5	CLEAR BRAIDED HOSE 1" - 34"	16-G22-00-03-MP	1
6	CLEAR BRAIDED HOSE 1" - 16"	16-G22-00-04-MP	1
7	CLEAR BRAIDED HOSE 1" - 54"	16-G22-00-05-MP	1