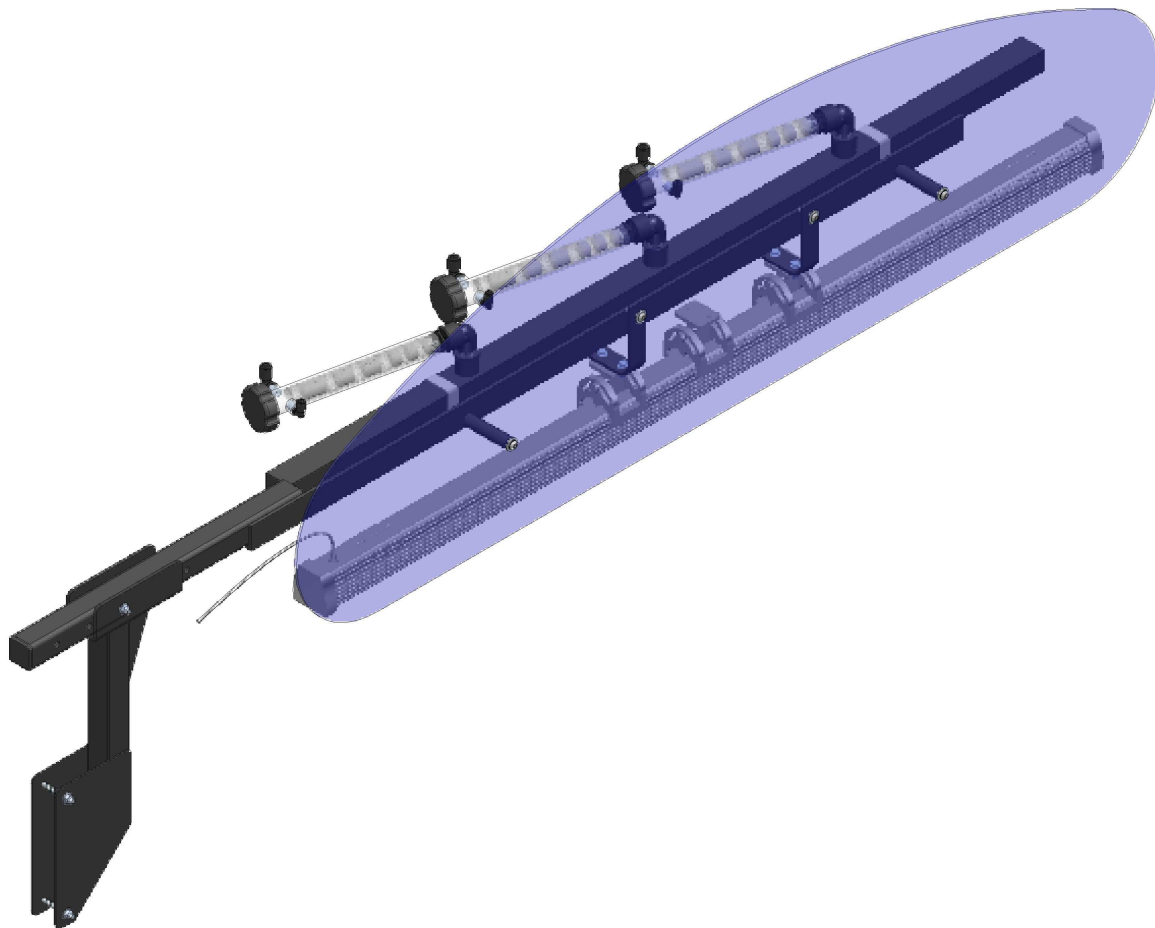
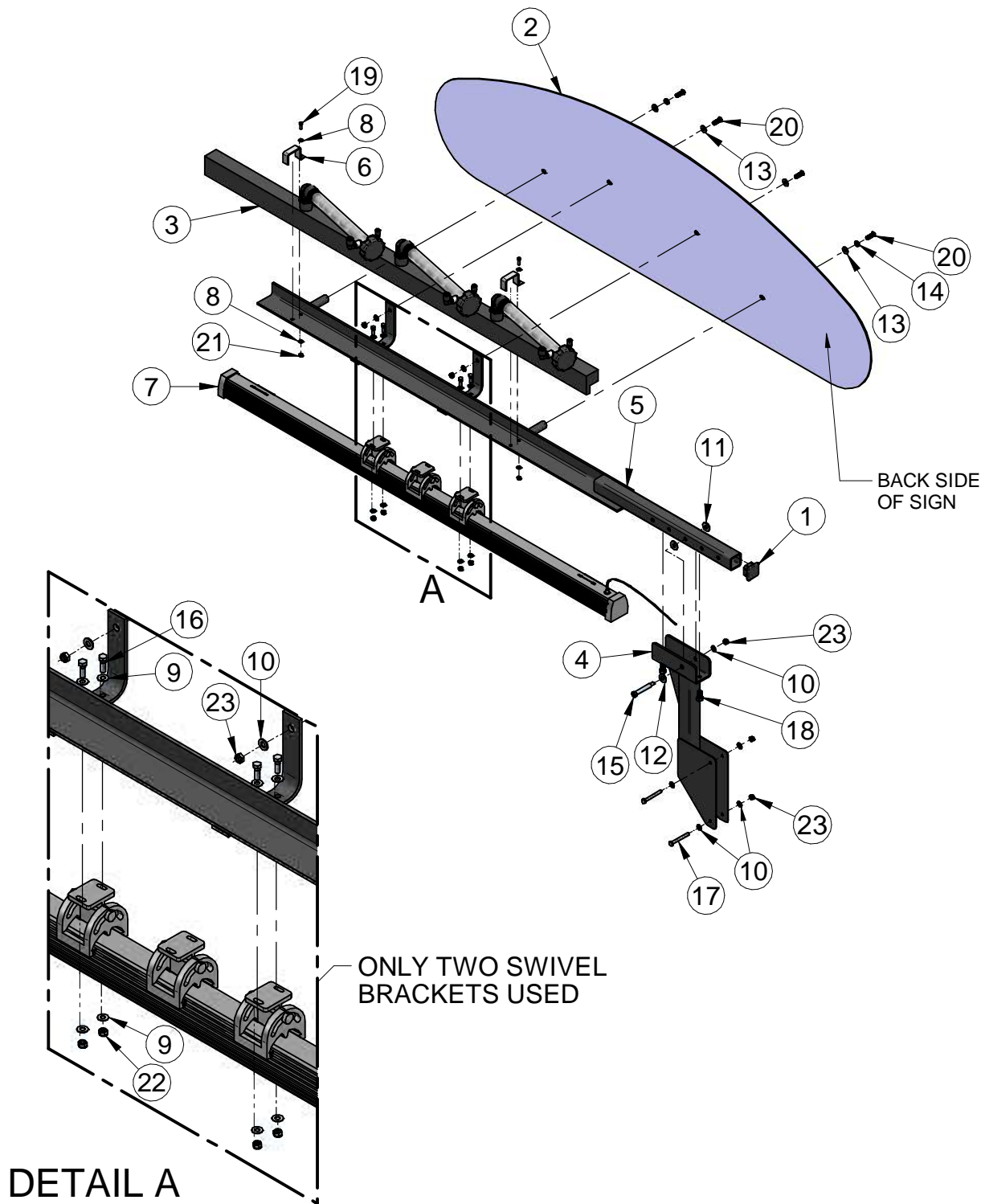


DOCUMENT #EPL-53-355-10-MP**INCLUDES:**

- 53-355-10-__ EVOLUTION TOP REACH KIT LH/DS w/COLOUR LIGHTS & FOAMINATOR**
- 53-356-10-__ EVOLUTION TOP REACH KIT RH/PS w/COLOUR LIGHTS & FOAMINATOR**
- 53-355-50-__ EVOLUTION TOP REACH KIT LH/DS w/COLOUR LIGHTS & AQUAFOAMER**
- 53-356-50-__ EVOLUTION TOP REACH KIT RH/PS w/COLOUR LIGHTS & AQUAFOAMER**



53-355-10-__ EXPLOSION



53-355-10-__ PARTS LIST

| REF. | DESCRIPTION | PART NUMBER | QTY |
|------|--|----------------|-----|
| 1 | 2"x2" END CAP | 26-015-00-PP | 1 |
| 2 | TOP SIGN BACKING (LEXAN) | 46-080-00-PP | 1 |
| 3 | FOAMINATOR (70") (WITH FOAM GENERATORS) | 46-105-00-PP | 1 |
| 4 | ETR UPRIGHT MOUNT BRACKET | 53-350-00-BK | 1 |
| 5 | MOUNT BAR LH WELDMENT (BLK) | 53-351-00-BK | 1 |
| 6 | FOAMINATOR BRACKET | 53-351-06-PP | 2 |
| 7 | LIGHT BAR WITH BRACKETS 66"LED | 70-820-00-__ | 1 |
| 8 | WSHR SS FLAT 1/4" (0.056"/0.063"THK) | 80-104-000-SI | 4 |
| 9 | WSHR SS FLAT 5/16" | 80-105-000-SI | 8 |
| 10 | WSHR SS FLT 3/8" .071-.082THK .75"OD/.406"ID | 80-106-000-SI | 7 |
| 11 | WSHR NYLON FLAT 1/2" | 80-108-000-NI | 2 |
| 12 | FLAT WASHER SS 1/2" | 80-108-000-SI | 1 |
| 13 | WSHR FLAT 3/8" x 1"OD SS | 80-406-000-SI | 4 |
| 14 | LOCK WASHER 3/8" SS | 80-906-000-SI | 2 |
| 15 | SHSS SS Dia.1/2" X 2-3/4" (3/8"-16) | 82-408-044-SIC | 1 |
| 16 | HHCS SS 5/16"-18 X 1" | 82-505-016-SIC | 4 |
| 17 | HHCS SS 3/8"-16 x 3" | 82-506-048-SIC | 2 |
| 18 | HHCS SS 1/2"-13 x 1" | 82-508-016-SIC | 2 |
| 19 | SHCS SS 1/4"-20 x 3/4" | 82-704-012-SIC | 2 |
| 20 | 3/8-16 x 1.25 BSHCS | 83-206-020-SIC | 4 |
| 21 | NUT SS NYLOCK 1/4"-20 | 85-004-000-SIC | 2 |
| 22 | NYLOCK NUT 5-/16" -18 | 85-005-000-SIC | 4 |
| 23 | NUT SS NYLOCK 3/8"-16 | 85-006-000-SIC | 5 |

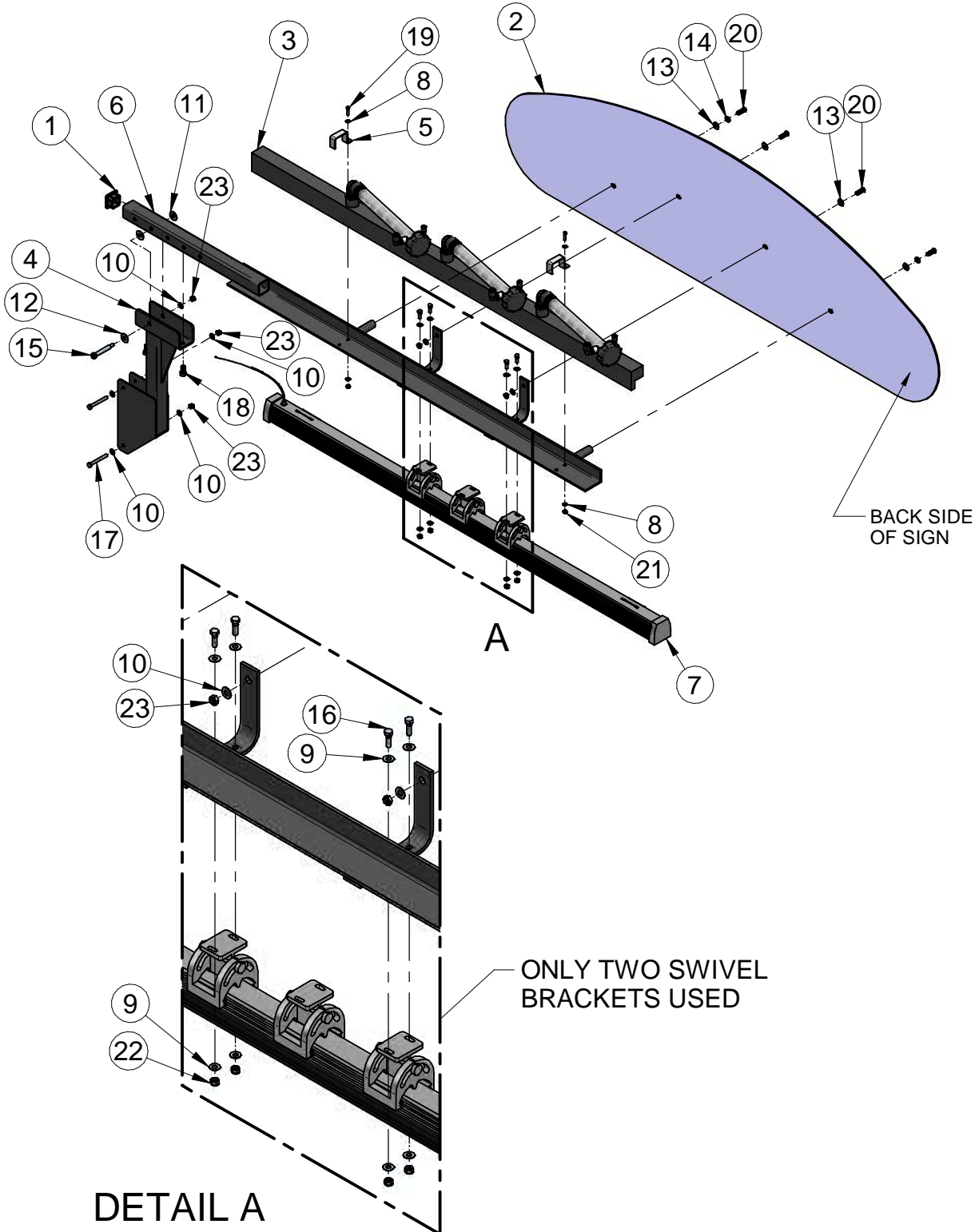
LIGHT BAR OPTIONS:

53-355-10-BU USES 70-820-00-BU

53-355-10-RD USES 70-820-00-RD

53-355-10-YL USES 70-820-00-YL

53-356-10-MP EXPLOSION



53-356-10-MP PARTS LIST

| REF. | DESCRIPTION | PART NUMBER | QTY |
|------|--|----------------|-----|
| 1 | 2"x2" END CAP | 26-015-00-PP | 1 |
| 2 | TOP SIGN BACKING (LEXAN) | 46-080-00-PP | 1 |
| 3 | FOAMINATOR (70") (WITH FOAM GENERATORS) | 46-105-00-PP | 1 |
| 4 | ETR UPRIGHT MOUNT BRACKET | 53-350-00-BK | 1 |
| 5 | FOAMINATOR BRACKET | 53-351-06-PP | 2 |
| 6 | FOAMER MOUNT BAR RH WELDMENT (BLK) | 53-352-00-BK | 1 |
| 7 | LIGHT BAR WITH BRACKETS 66"LED | 70-820-00-__ | 1 |
| 8 | WSHR SS FLAT 1/4" (0.056"/0.063"THK) | 80-104-000-SI | 4 |
| 9 | WSHR SS FLAT 5/16" | 80-105-000-SI | 8 |
| 10 | WSHR SS FLT 3/8" .071-.082THK .75"OD/.406"ID | 80-106-000-SI | 7 |
| 11 | WSHR NYLON FLAT 1/2" | 80-108-000-NI | 2 |
| 12 | FLAT WASHER SS 1/2" | 80-108-000-SI | 1 |
| 13 | WSHR FLAT 3/8" x 1"OD SS | 80-406-000-SI | 4 |
| 14 | LOCK WASHER 3/8" SS | 80-906-000-SI | 2 |
| 15 | SHSS SS Dia.1/2" X 2-3/4" (3/8"-16) | 82-408-044-SIC | 1 |
| 16 | HHCS SS 5/16"-18 X 1" | 82-505-016-SIC | 4 |
| 17 | HHCS SS 3/8"-16 x 3" | 82-506-048-SIC | 2 |
| 18 | HHCS SS 1/2-13 x 1" | 82-508-016-SIC | 2 |
| 19 | SHCS SS 1/4"-20 x 1" | 82-704-016-SIC | 2 |
| 20 | 3/8-16 x 1.25 BSHCS | 83-206-020-SIC | 4 |
| 21 | NUT SS NYLOCK 1/4"-20 | 85-004-000-SIC | 2 |
| 22 | NYLOCK NUT 5-/16" -18 | 85-005-000-SIC | 4 |
| 23 | NUT SS NYLOCK 3/8"-16 | 85-006-000-SIC | 5 |

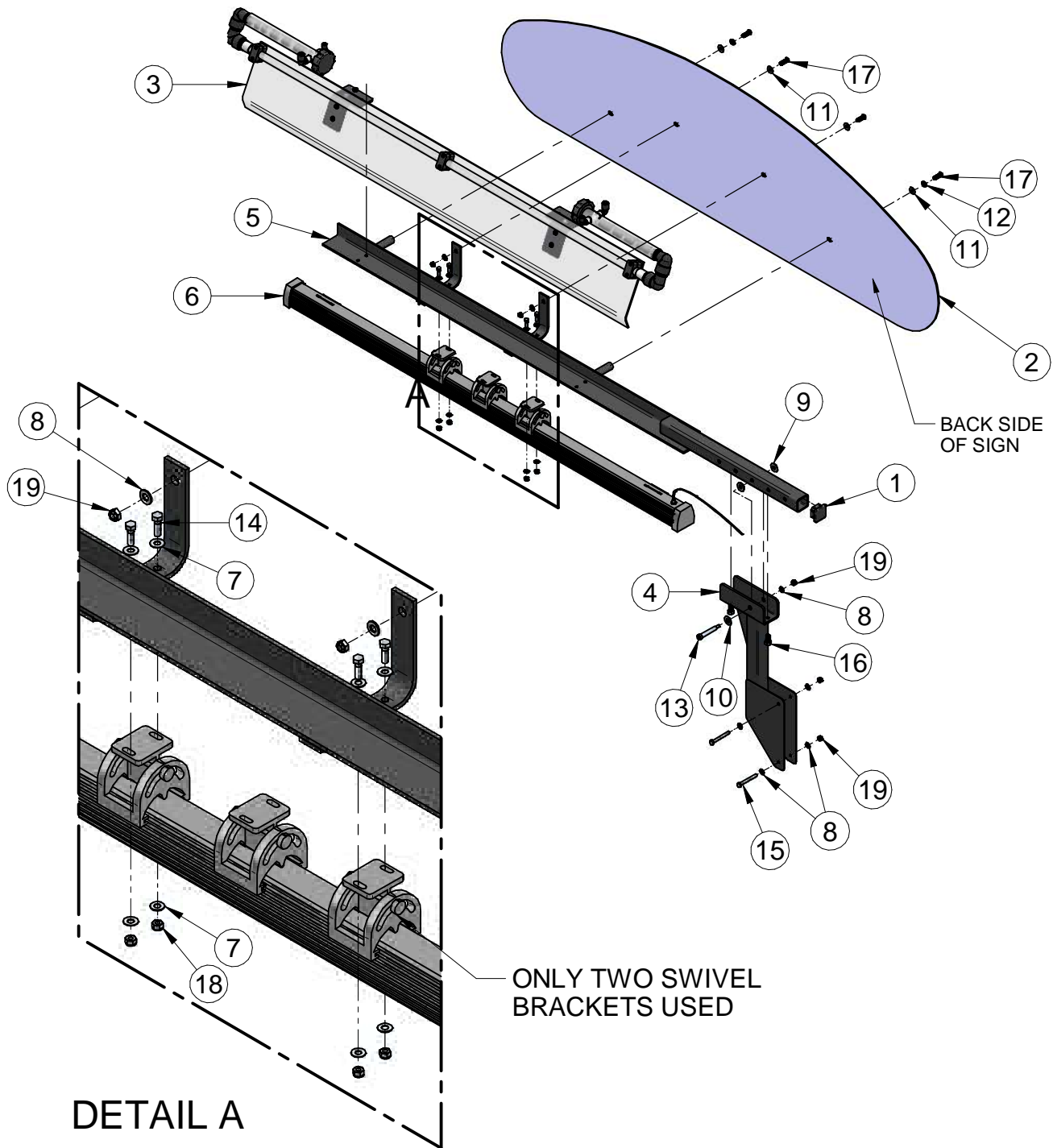
LIGHT BAR OPTIONS:

53-356-10-BU USES 70-820-00-BU

53-356-10-RD USES 70-820-00-RD

53-356-10-YL USES 70-820-00-YL

53-355-50-__ EXPLOSION



53-355-50-__ PARTS LIST

| REF. | DESCRIPTION | PART NUMBER | QTY |
|------|--|----------------|-----|
| 1 | 2"x2" END CAP | 26-015-00-PP | 1 |
| 2 | TOP SIGN BACKING (LEXAN) | 46-080-00-PP | 1 |
| 3 | AQUAFOAMER | 46-100-00-MP | 1 |
| 4 | ETR UPRIGHT MOUNT BRACKET | 53-350-00-BK | 1 |
| 5 | MOUNT BAR LH WELDMENT (BLK) | 53-351-00-BK | 1 |
| 6 | LIGHT BAR WITH BRACKETS 66"LED | 70-820-00-__ | 1 |
| 7 | WSHR SS FLAT 5/16" | 80-105-000-SI | 8 |
| 8 | WSHR SS FLT 3/8" .071-.082THK .75"OD/.406"ID | 80-106-000-SI | 7 |
| 9 | WSHR NYLON FLAT 1/2" | 80-108-000-NI | 2 |
| 10 | FLAT WASHER SS 1/2" | 80-108-000-SI | 1 |
| 11 | WSHR FLAT 3/8" x 1"OD SS | 80-406-000-SI | 4 |
| 12 | LOCK WASHER 3/8" SS | 80-906-000-SI | 2 |
| 13 | SHSS SS Dia.1/2" X 2-3/4" (3/8"-16) | 82-408-044-SIC | 1 |
| 14 | HHCS SS 5/16"-18 X 1" | 82-505-016-SIC | 4 |
| 15 | HHCS SS 3/8"-16 x 3" | 82-506-048-SIC | 2 |
| 16 | HHCS SS 1/2-13 x 1" | 82-508-016-SIC | 2 |
| 17 | 3/8-16 x 1.25 BSHHCS | 83-206-020-SIC | 4 |
| 18 | NYLOCK NUT 5-/16" -18 | 85-005-000-SIC | 4 |
| 19 | NUT SS NYLOCK 3/8"-16 | 85-006-000-SIC | 5 |

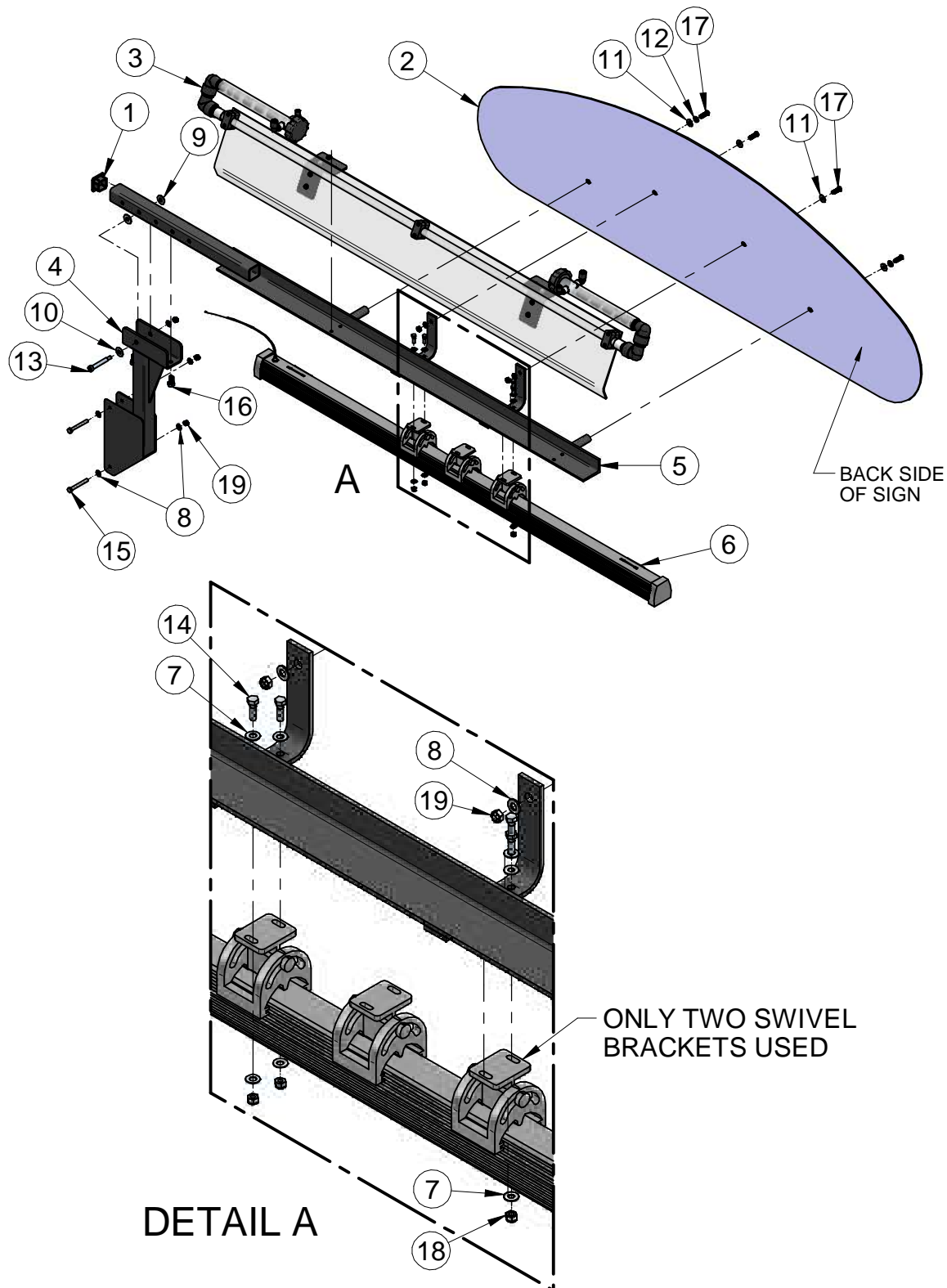
LIGHT BAR OPTIONS:

53-355-50-BU USES 70-820-00-BU

53-355-50-RD USES 70-820-00-RD

53-355-50-YL USES 70-820-00-YL

53-356-50-MP EXPLOSION



DETAIL A

ONLY TWO SWIVEL BRACKETS USED

53-356-50-MP PARTS LIST

| REF. | DESCRIPTION | PART NUMBER | QTY |
|------|--|----------------|-----|
| 1 | 2"x2" END CAP | 26-015-00-PP | 1 |
| 2 | TOP SIGN BACKING (LEXAN) | 46-080-00-PP | 1 |
| 3 | AQUAFOAMER | 46-100-00-MP | 1 |
| 4 | ETR UPRIGHT MOUNT BRACKET | 53-350-00-BK | 1 |
| 5 | FOAMER MOUNT BAR RH WELDMENT (BLK) | 53-352-00-BK | 1 |
| 6 | LIGHT BAR WITH BRACKETS 66"LED | 70-820-00-__ | 1 |
| 7 | WSHR SS FLAT 5/16" | 80-105-000-SI | 8 |
| 8 | WSHR SS FLT 3/8" .071-.082THK .75"OD/.406"ID | 80-106-000-SI | 7 |
| 9 | WSHR NYLON FLAT 1/2" | 80-108-000-NI | 2 |
| 10 | FLAT WASHER SS 1/2" | 80-108-000-SI | 1 |
| 11 | WSHR FLAT 3/8" x 1"OD SS | 80-406-000-SI | 4 |
| 12 | LOCK WASHER 3/8" SS | 80-906-000-SI | 2 |
| 13 | SHSS SS Dia.1/2" X 2-3/4" (3/8"-16) | 82-408-044-SIC | 1 |
| 14 | HHCS SS 5/16"-18 X 1" | 82-505-016-SIC | 4 |
| 15 | HHCS SS 3/8"-16 x 3" | 82-506-048-SIC | 2 |
| 16 | HHCS SS 1/2-13 x 1" | 82-508-016-SIC | 2 |
| 17 | 3/8-16 x 1.25 BSHCS | 83-206-020-SIC | 4 |
| 18 | NYLOCK NUT 5-/16" -18 | 85-005-000-SIC | 4 |
| 19 | NUT SS NYLOCK 3/8"-16 | 85-006-000-SIC | 5 |

LIGHT BAR OPTIONS:

53-356-50-BU USES 70-820-00-BU

53-356-50-RD USES 70-820-00-RD

53-356-50-YL USES 70-820-00-YL