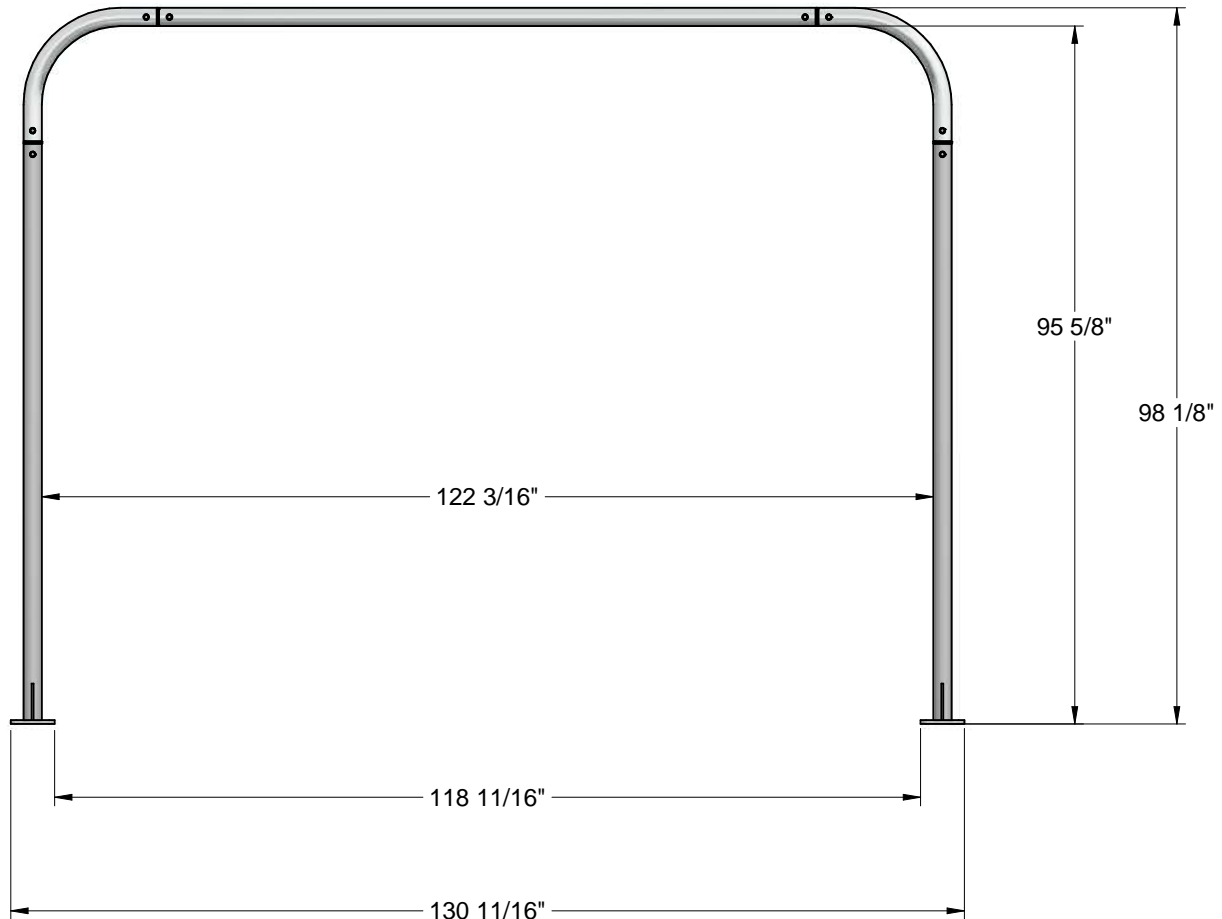


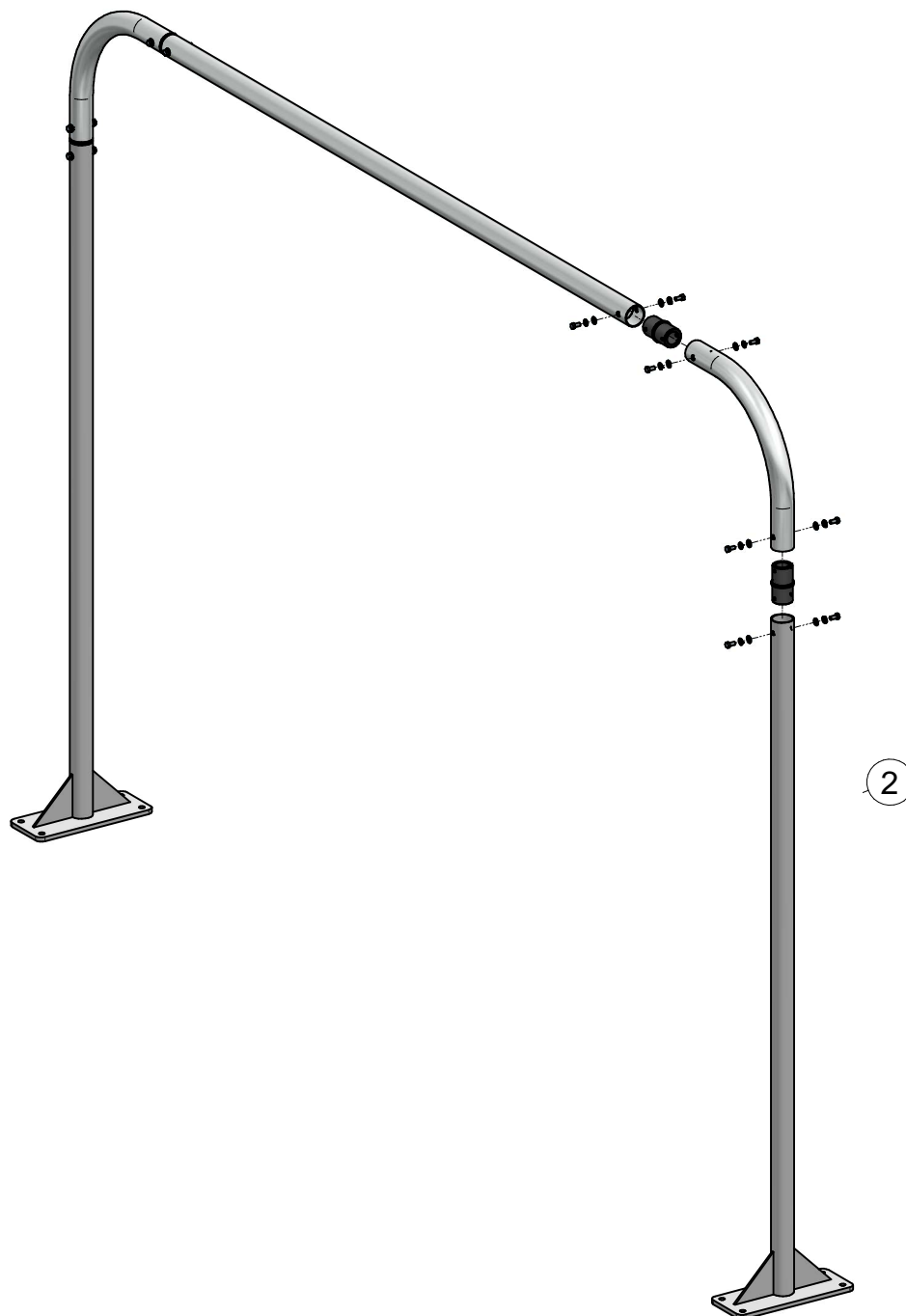
DOCUMENT #EPL-46-R00-00-00



46-R00-00-00 ROUND ARCH OVER VIEW



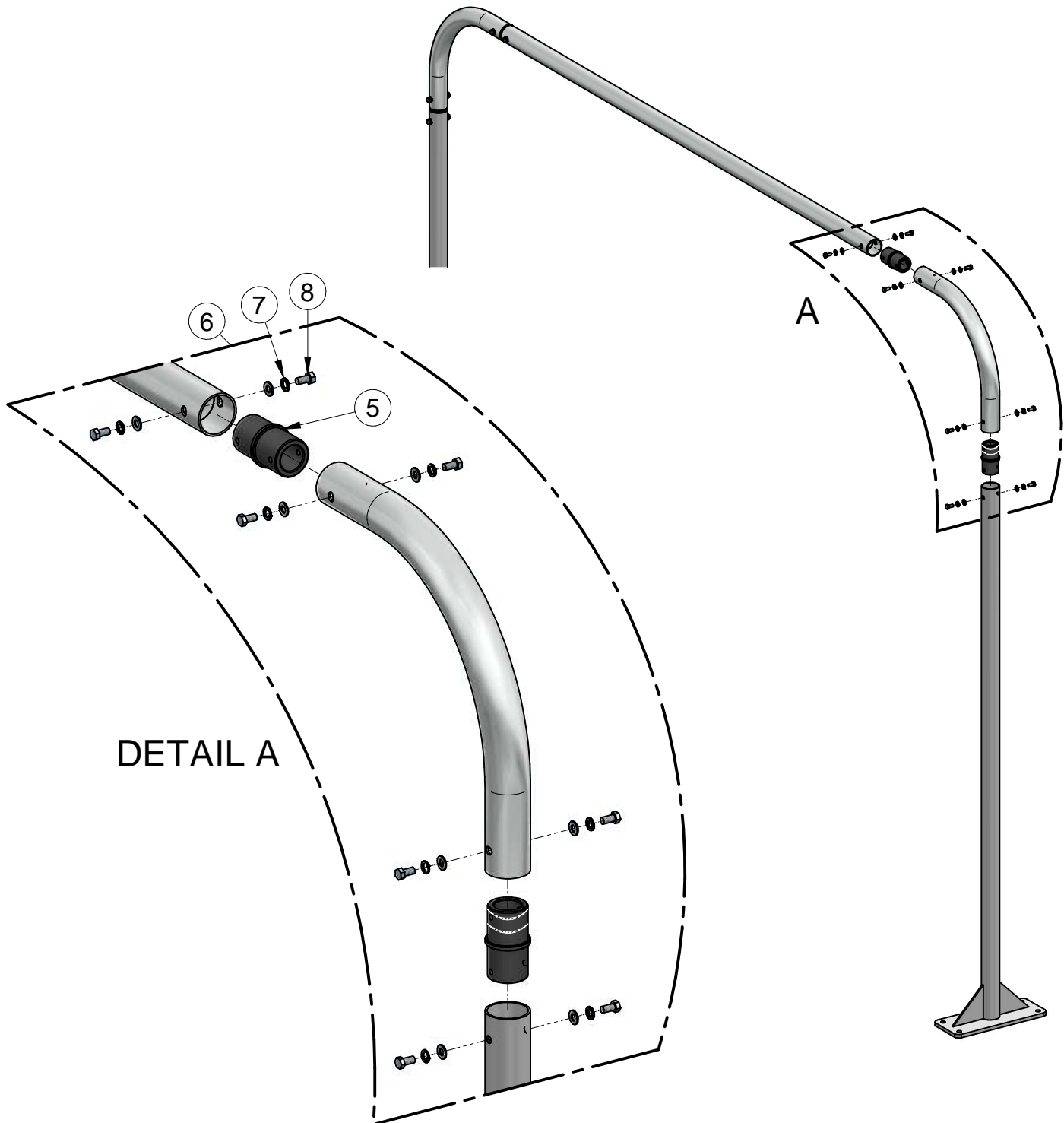
46-R00-00-00 ROUND ARCH EXPLOSION



>PRE-ASSEMBLE ELB

>TEST INSTALL IN
>INCLUDE SURE SEAL

46-R00-00-00 ROUND ARCH EXPLOSION



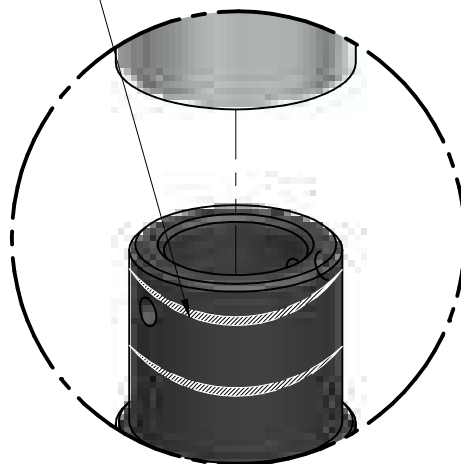
46-R00-00-00 ROUND ARCH EXPLOSION

APPLYING SEALANT:

- CLEAN OUTSIDE OF INSERT & INSIDE OF TUBE WITH SOLVANT CLEANER.
- APPLY 2 BEADS OF SURE SEAL (ASSY0116) TO BLACK INSERT AS SHOWN.
- PUSH THE INSERT INTO THE TUBE ELBOW UNTIL HOLES ARE ALIGNED.
- SEALANT WILL SQUEEZE OUT AT THE SEAM.
- REMOVE EXCESS SEALANT FROM JOINT.
- APPLY HARDWARE TO HOLD THE INSERT IN PLACE.

DRY TIME: 10-40min; CURE TIME: 24h PLUS

DETAIL B



46-R00-00-00 ROUND ARCH PARTS LIST

REF.	DESCRIPTION	PART NUMBER	QTY
1	ADHESIVE SEALANT 'SURE CHECK' LSC 9019 CLR 5OZ TUBE (*NOT SHOWN*)	33-725-10-PP	1
2	RW111 ARCH POST 79-1/2" AL PC	46-500-10-SG	2
3	ALUMINUM ELBOW SG	46-500-20-SG	2
4	RW111 HORIZONTAL TUBE 90"LG PC	46-500-30-SG	1
5	RW111 TUBE INSERT AL X 4-1/4"LG BLK ANO	46-500-40-BK	4
6	WSHR SS FLT 3/8" .071-.082THK .75"OD/.406"ID	80-106-000-SI	16
7	LOCK WASHER 3/8" SS	80-906-000-SI	16
8	HHCS SS 3/8"-16 X 3/4"	82-506-012-SIC	16