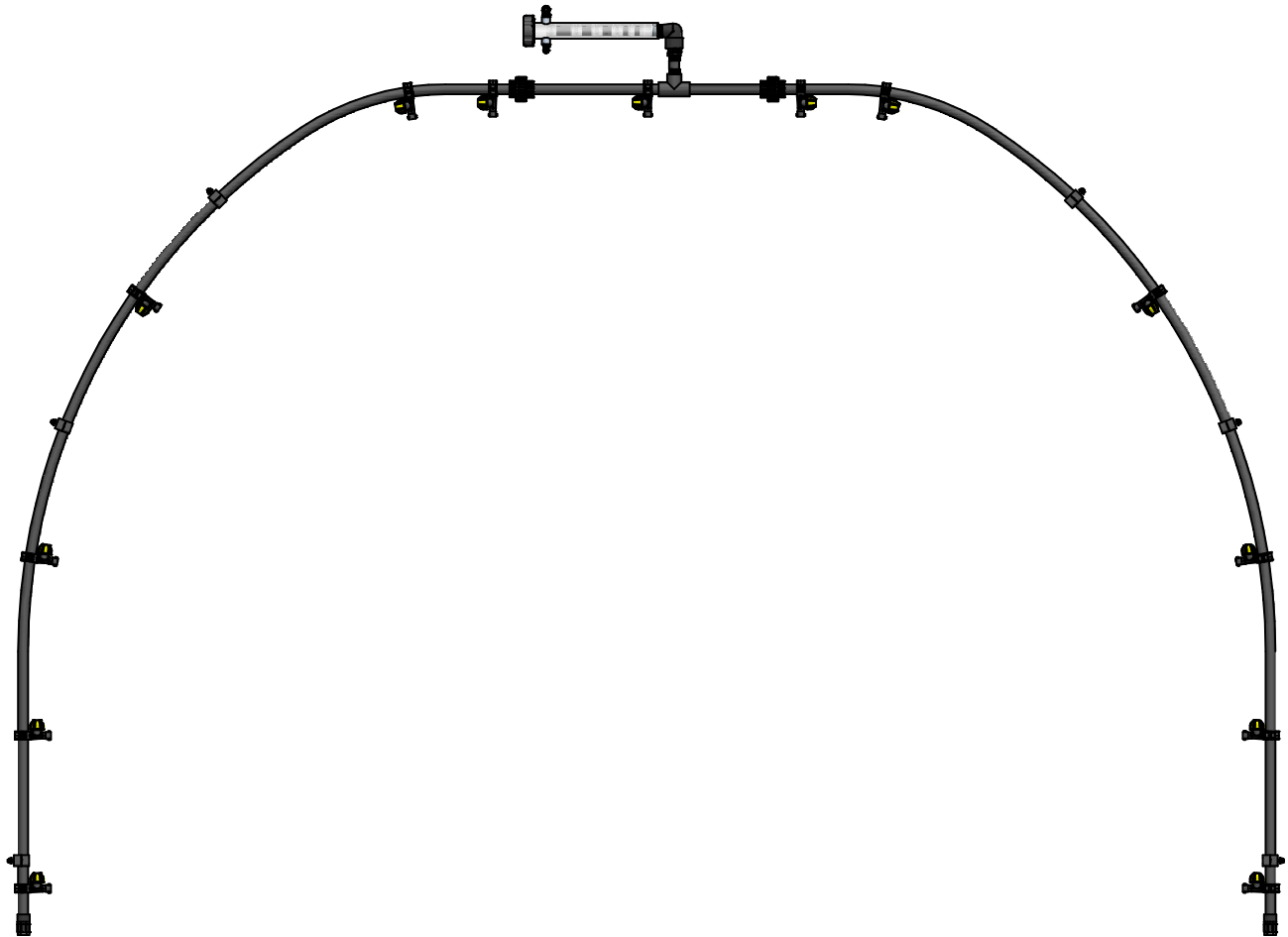
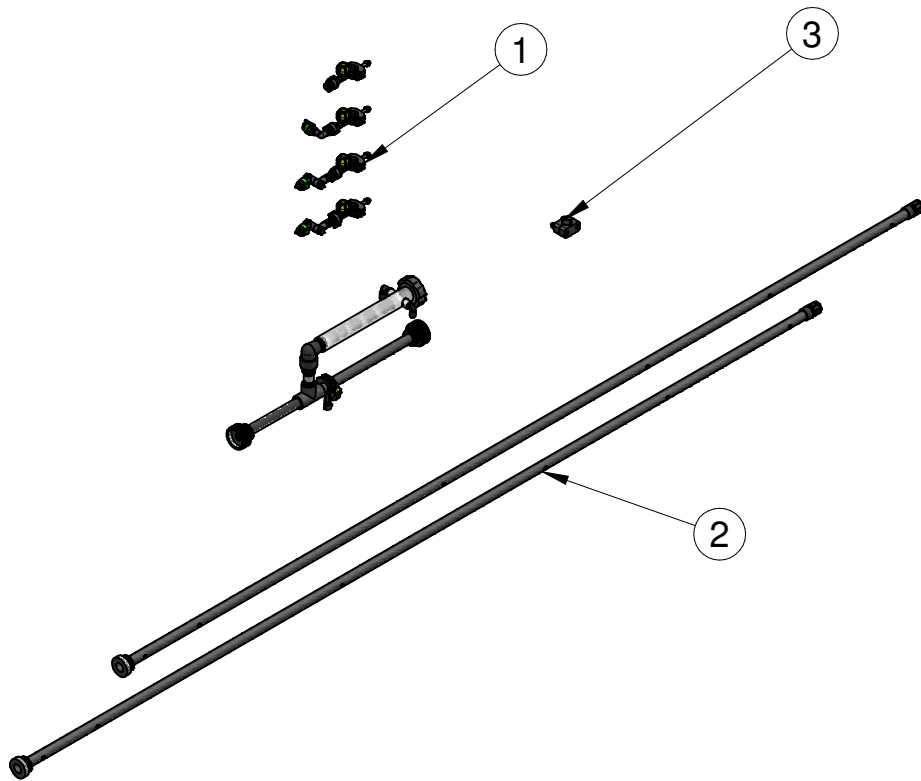


**DOCUMENT #EPL-46-998-00-MP
VERSA TRANS ARCH (VTA) FULL FOAM MANIFOLD ASSY**

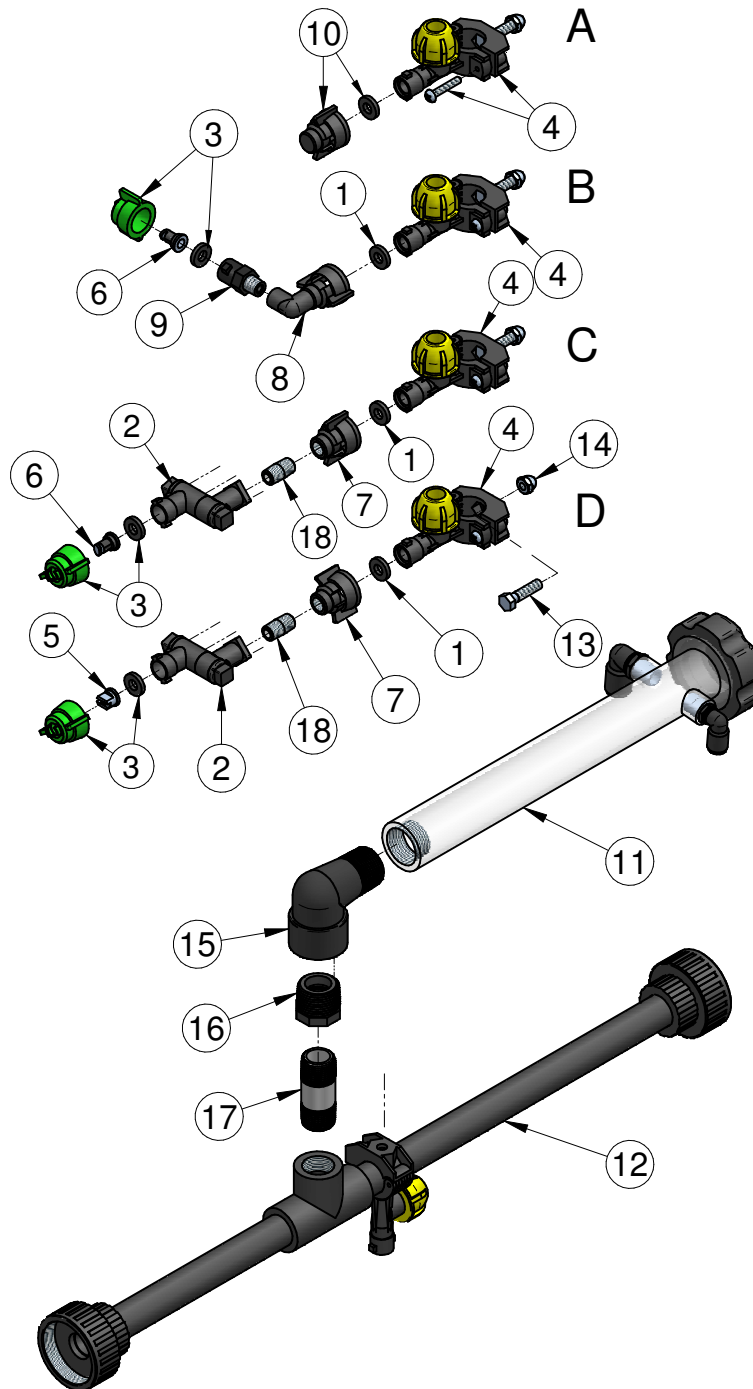


VTA FULL FOAM 46-998-00-MP PARTS LIST



REF.	DESCRIPTION	PART NUMBER	QTY
1	NOZZLE KIT (VA & VTA) - PRESOAK/WAX (FULL-FOAM)	46-560-03-MP	1
2	MANIFOLD SIDE ASSEMBLY (FULL)	46-561-20-MP	2
3	VTA MANIFOLD HARDWARE KIT	46-997-01-MP	1

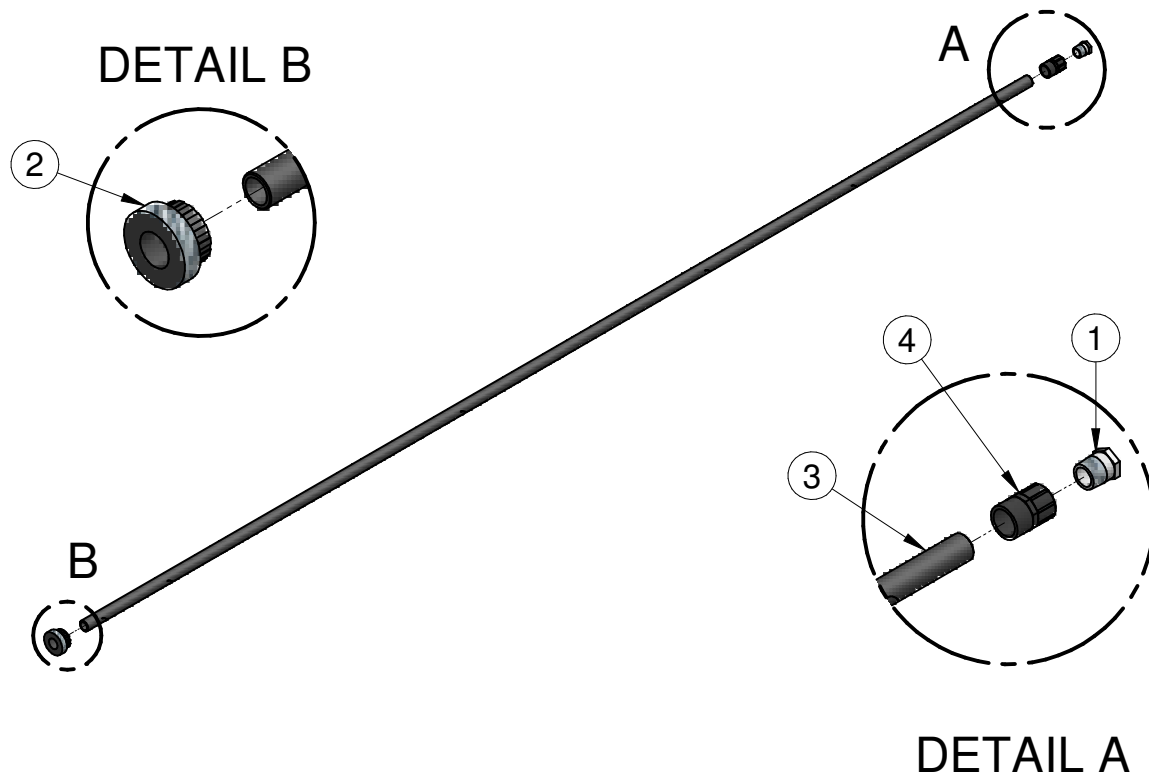
46-560-03-MP EXPLOSION



46-560-03-MP PARTS LIST

REF.	DESCRIPTION	PART NUMBER	QTY
1	NOZZLE CAP GASKET	10-200-11-PP	4
2	NZL BODY SINGLE SWIVEL 1/4"NPT BLACK QJ8600-1/4-NYB	10-200-26-PP	4
3	QUICK TEE JET CAP & GASKET GREEN (25608-5-NYR)	10-206-00-PP	8
4	NZL BDY 3/4"PIPE QJ BOOM MNT DIAPH CHK 2PSI QJ17560A-3/4-NY	10-230-26-PP	13
5	NZL UNIJET SS 65DEGREE 0.8 GPM TPU6508-SS	10-275-26-PP	2
6	VISIOFLO FLODJET NOZZLE (TKVS-10)	10-275-28-PP	6
7	CAP THREADED 1/4 NPT (QJ4676-1/4-NYR)	10-275-31-PP	4
8	90 DEGREE QUICK TEEJET CAP (QJ4676-90-1/4-NYR)	10-275-32-PP	4
9	CAP ADAPTOR 1/4 MNPT (QJ1/4TT-NYB)	10-275-33-PP	4
10	SOLID CAP AND GASKET 19843-NYR	10-275-34-PP	6
11	FOAM GENERATOR (GEN)	46-105-50-PP	1
12	MANIFOLD TOP ASSEMBLY (LIQUID)	46-561-03-MP	1
13	HHCS SS 5/16"-18 X 1-1/4"	82-505-020-SIC	9
14	NUT SS ACORN 5/16"-18 UNC	84-805-000-SIC	9
15	FTG ELB 90DEG 1"MPT-1"FPT SCH80 POLY (BLACK)	90-080-22-PP	1
16	BUSHING 1"MPT X 3/4"FPT PVC	90-080-25-PP	1
17	3/4 X 2" PVC NIPPLE	90-080-30-PP	1
18	FTG NIPPLE PVC SCH80 1/4 x CL	90-231-17-PP	4

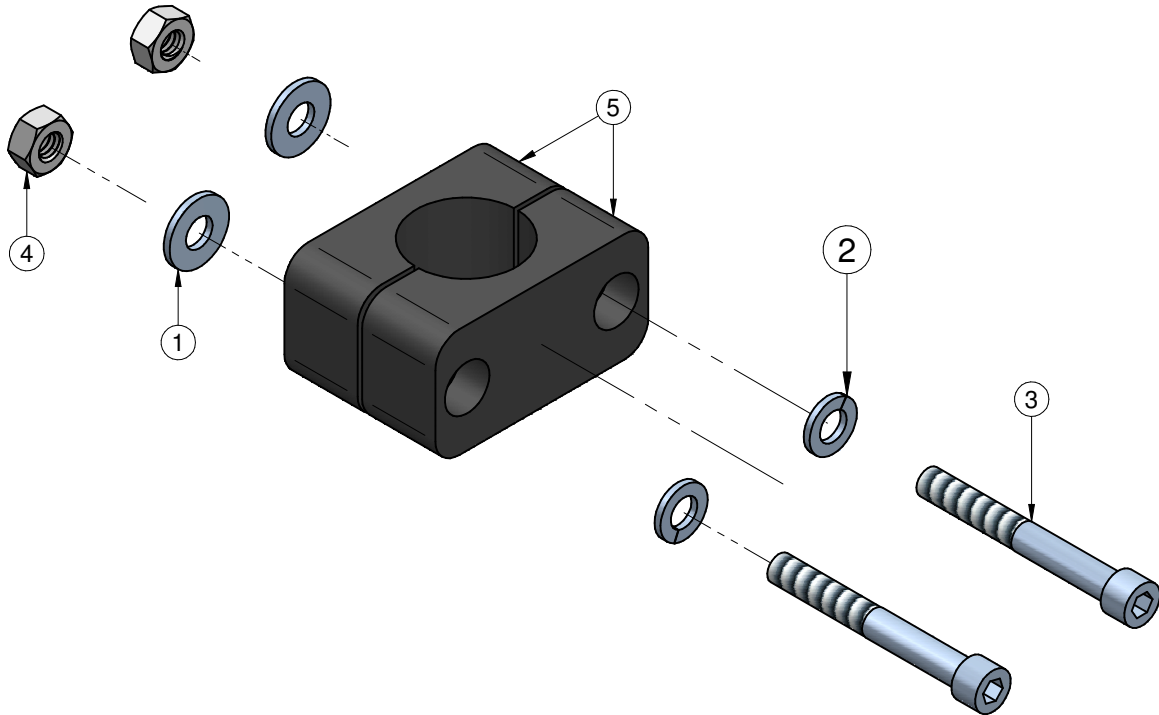
46-561-20-MP EXPLOSION



46-561-20-MP PARTS LIST

REF.	DESCRIPTION	PART NUMBER	QTY
1	PLUG 3/4"MPT SCH80 PVC	16-036-01-PP	1
2	UNION PVC SCH80 (3/4"Fx3/4"F) MALE HALF	46-561-08-PP	1
3	MANIFOLD TUBE (FULL)	46-561-21-MP	1
4	FTG ADPTR 3/4"FPT-3/4"SCH80 (GREY)	90-070-03-PP	1

46-997-01-MP EXPLOSION

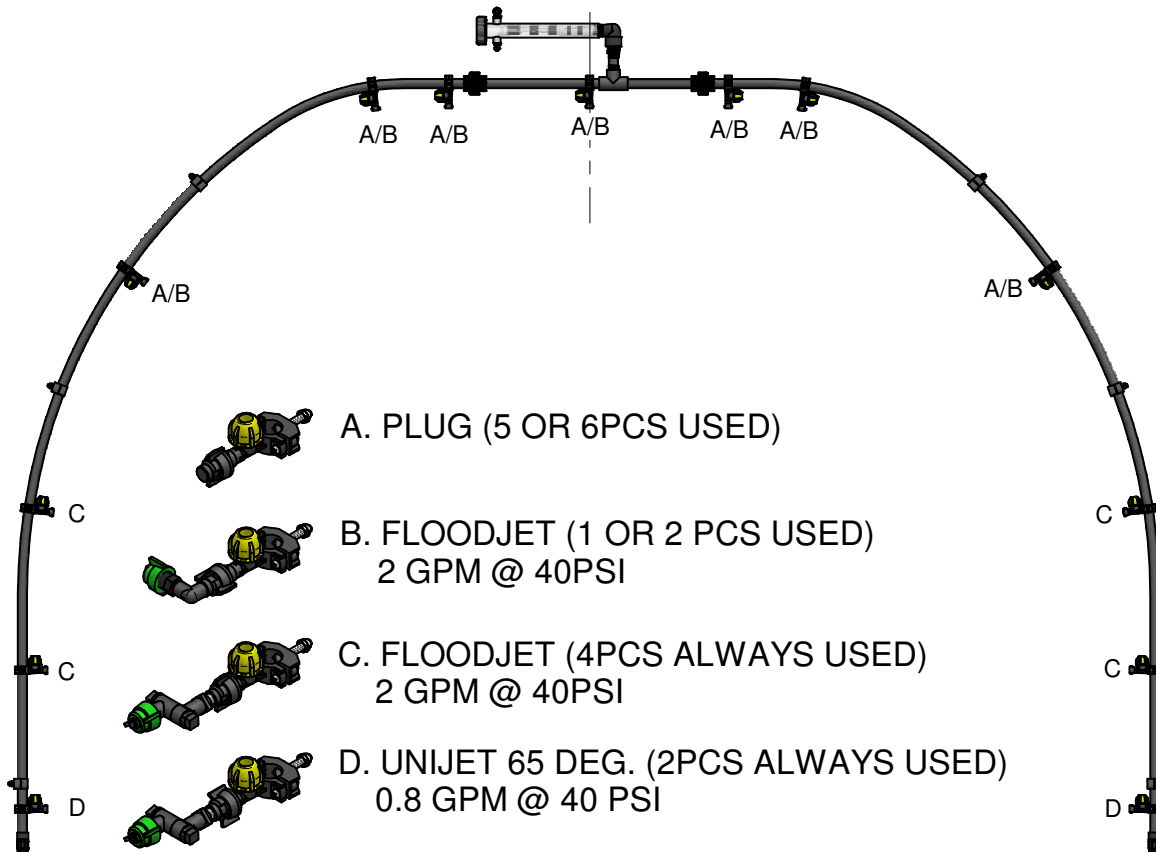


46-997-01-MP PARTS LIST

REF.	DESCRIPTION	PART NUMBER	QTY
1	WSHR SS FLAT 1/4" (0.056"/0.063"THK)	80-104-000-SI	20
2	WSHR SS LOCK 1/4"	80-904-000-SI	20
3	SHCS SS 1/4-20x2"	82-704-032-SIC	20
4	1/4-20 STD NUT	84-004-000-SIC	20
5	HOSE BLOCK 3/4P SNGL (2 HALVES) BLACK	90-157-00-PP	10

46-998-00-MP FULL FOAM NOZZLES POSITION AND GPM

FOAM GENERATOR REQUIREMENTS
CHEMICAL: 6.75 TO 9.75 GPM
AIR: 20-25 PSI



NOZZLE TOTAL GPM (MIN/MAX): 11.6/13.6

NOZZLE PLUGS MAY BE USED IN 6 POSITIONS