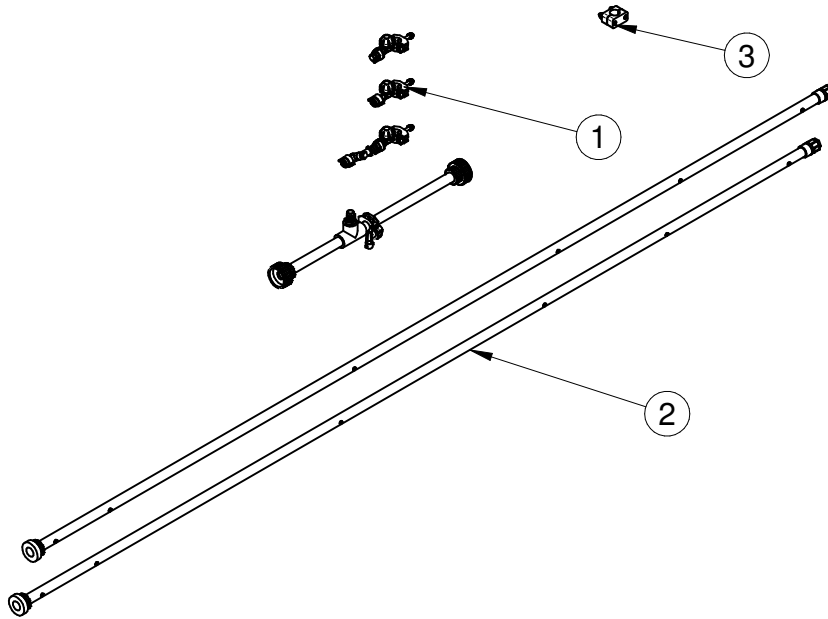


DOCUMENT #EPL-46-997-00-MP
VERSA TRANS ARCH NON FOAM MANIFOLD ASSY

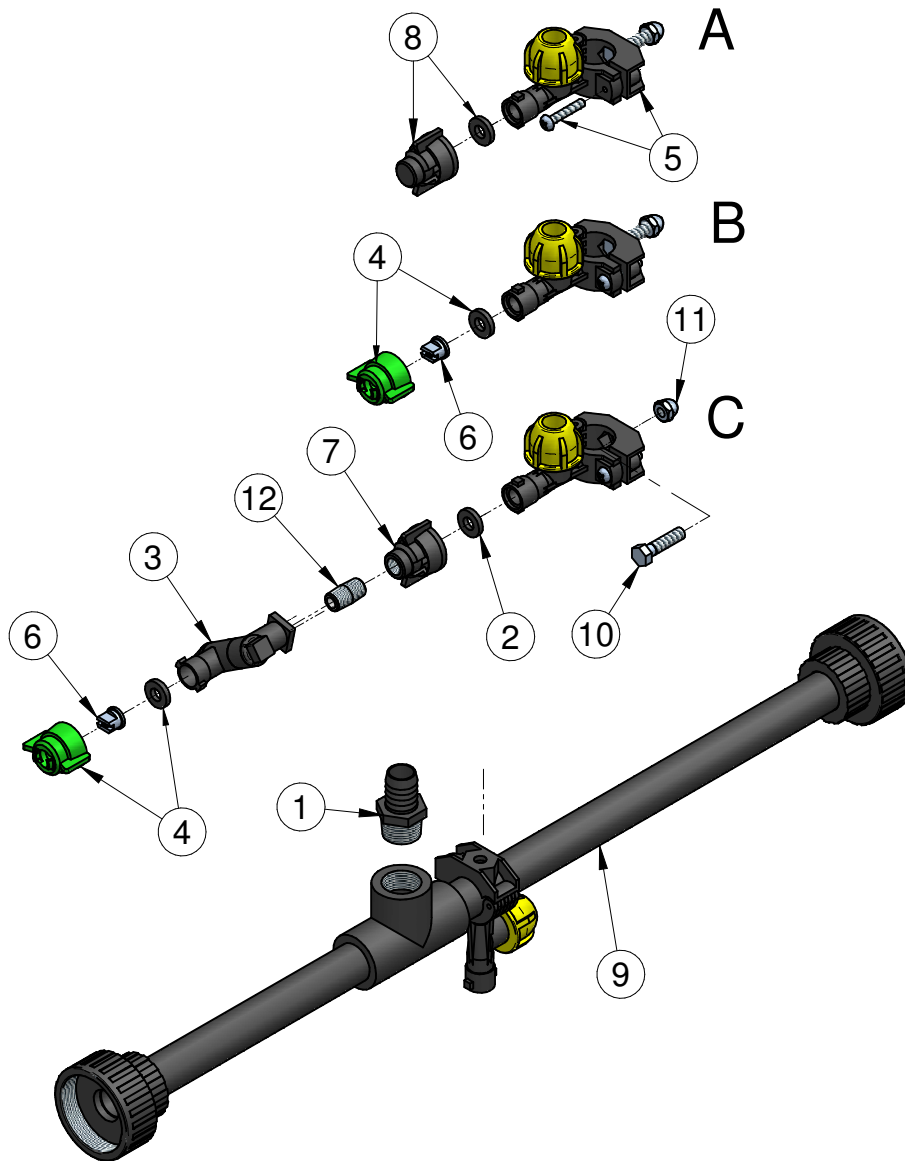


VA FULL NON FOAM 46-997-00-MP PARTS LIST



REF.	DESCRIPTION	PART NUMBER	QTY
1	NOZZLE KIT (VA & VTA) - RINSE (FULL-LIQUID)	46-560-02-MP	1
2	MANIFOLD SIDE ASSEMBLY (FULL)	46-561-20-MP	2
3	VTA MANIFOLD HARDWARE KIT	46-997-01-MP	1

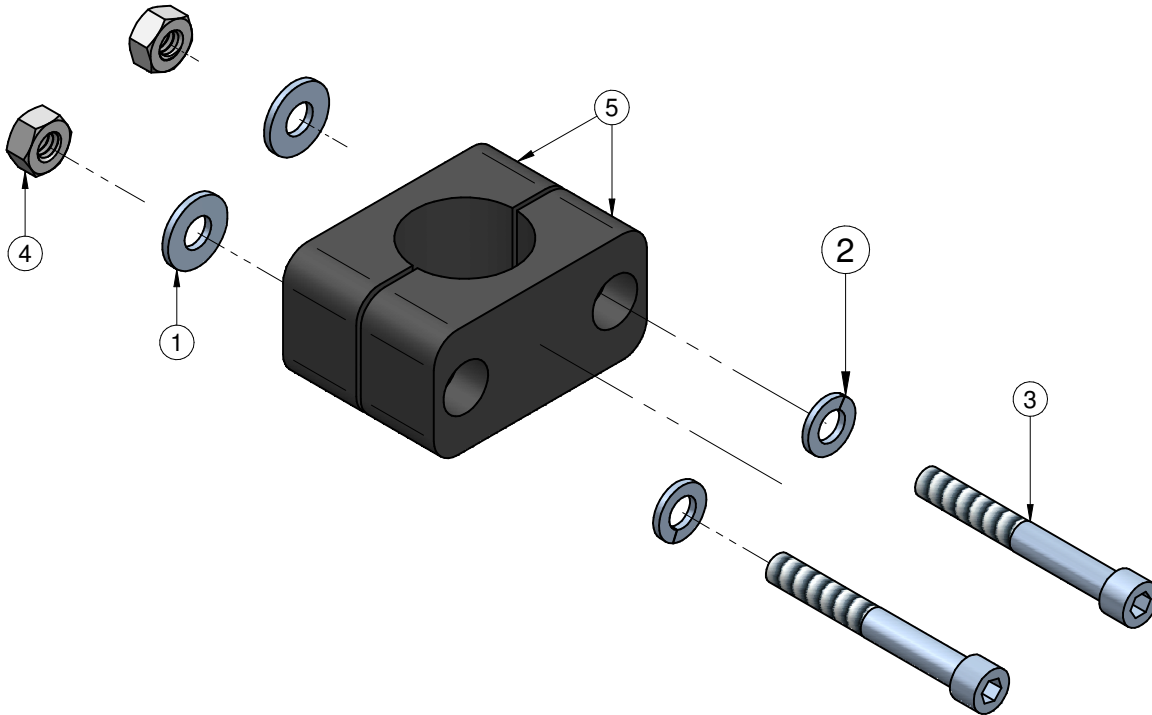
46-560-02-MP EXPLOSION



46-560-02-MP PARTS LIST

REF.	DESCRIPTION	PART NUMBER	QTY
1	FTG ADPTR BKPLY 3/4"NPT-3/4"HSBRB 3A34	10-100-04-PP	1
2	NOZZLE CAP GASKET	10-200-11-PP	4
3	NZL BODY SINGLE SWIVEL 1/4"NPT BLACK QJ8600-1/4-NYB	10-200-26-PP	4
4	QUICK TEE JET CAP & GASKET GREEN (25608-5-NYR)	10-206-00-PP	9
5	NZL BDY 3/4"PIPE QJ BOOM MNT DIAPH CHK 2PSI QJ17560A-3/4-NY	10-230-26-PP	13
6	NZL UNIJET SS 65DEGREE 0.8 GPM TPU6508-SS	10-275-26-PP	9
7	CAP THREADED 1/4 NPT (QJ4676-1/4-NYR)	10-275-31-PP	4
8	SOLID CAP AND GASKET 19843-NYR	10-275-34-PP	6
9	MANIFOLD TOP ASSEMBLY (LIQUID)	46-561-03-MP	1
10	HHCS SS 5/16"-18 X 1-1/4"	82-505-020-SIC	9
11	NUT SS ACORN 5/16"-18 UNC	84-805-000-SIC	9
12	FTG NIPPLE PVC SCH80 1/4 x CL	90-231-17-PP	4

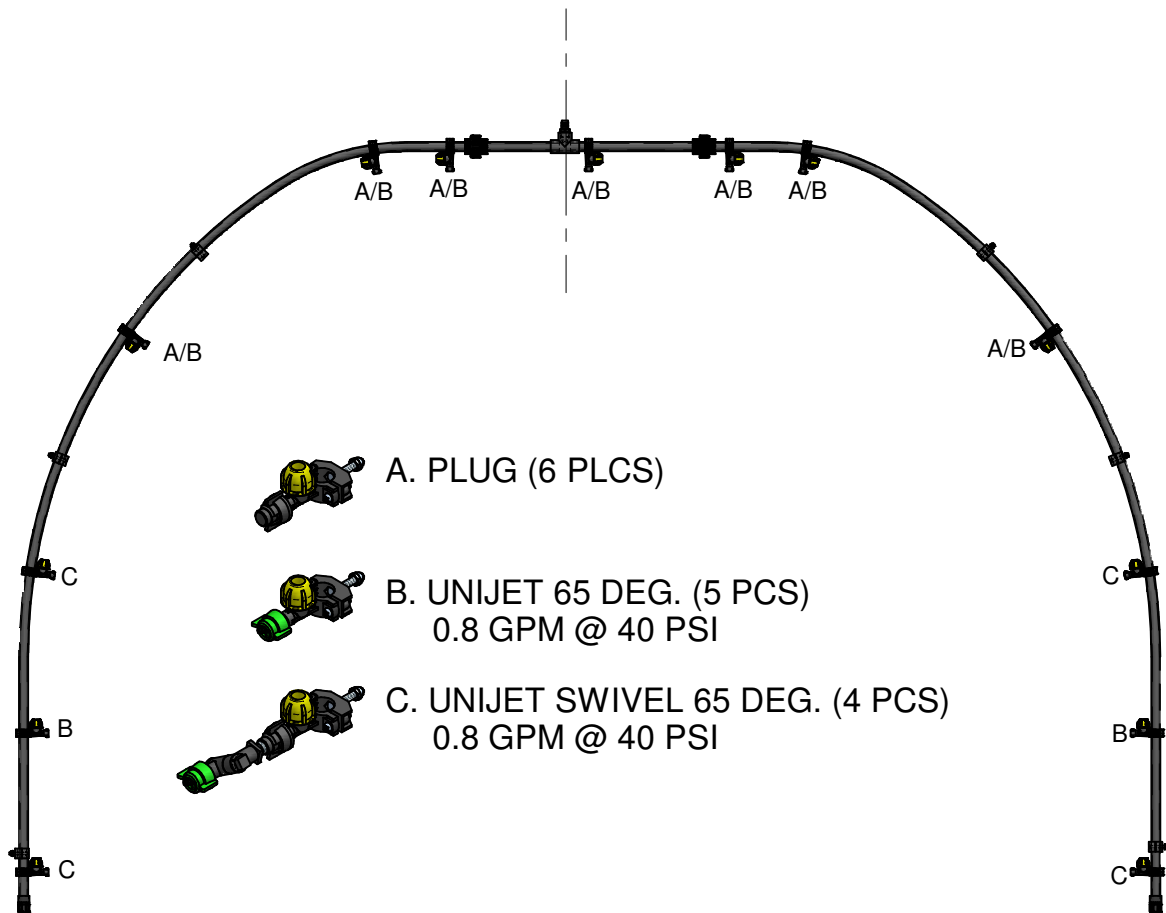
46-997-01-MP EXPLOSION



46-997-01-MP PARTS LIST

REF.	DESCRIPTION	PART NUMBER	QTY
1	WSHR SS FLAT 1/4" (0.056"/0.063"THK)	80-104-000-SI	20
2	WSHR SS LOCK 1/4"	80-904-000-SI	20
3	SHCS SS 1/4-20x2"	82-704-032-SIC	20
4	1/4-20 STD NUT	84-004-000-SIC	20
5	HOSE BLOCK 3/4P SNGL (2 HALVES) BLACK	90-157-00-PP	10

46-997-00-MP NON FOAM NOZZLES POSITION



NOZZLE PLUGS MAY BE USED IN 6 POSITIONS