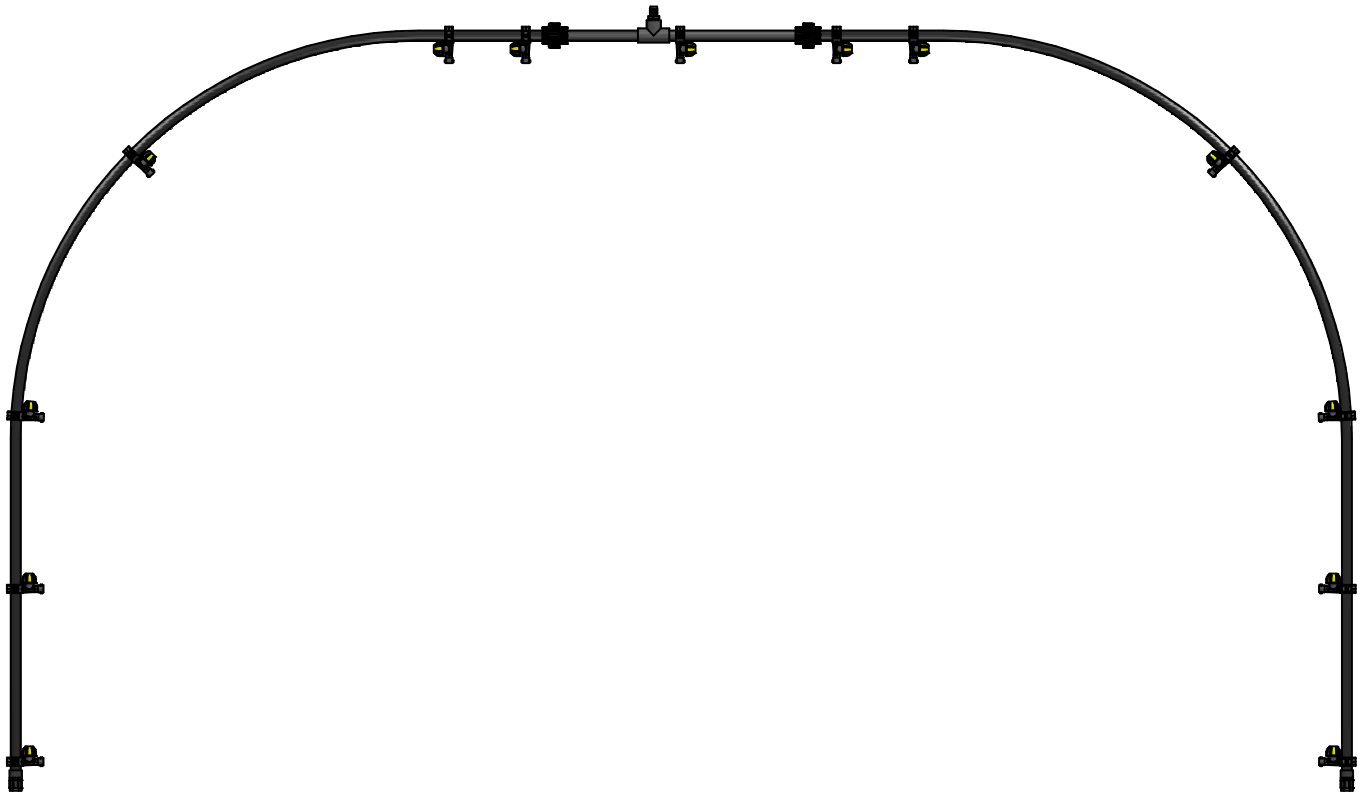
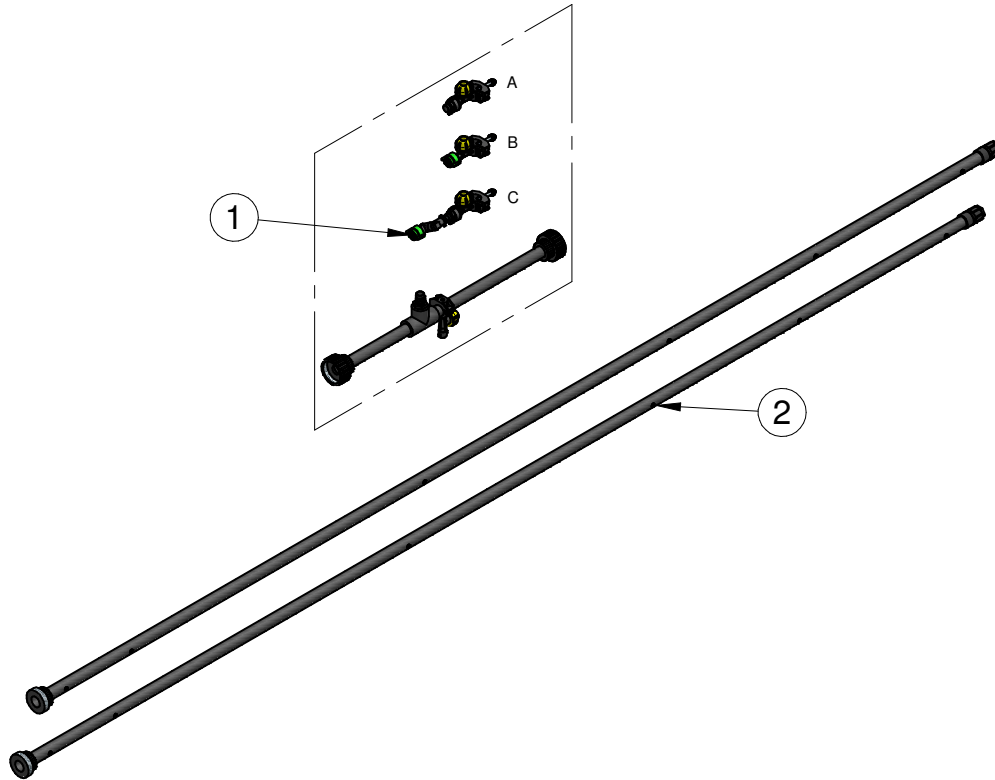


**DOCUMENT #EPL-46-562-30-MP
VERSA ARCH NON FOAM MANIFOLD ASSY**

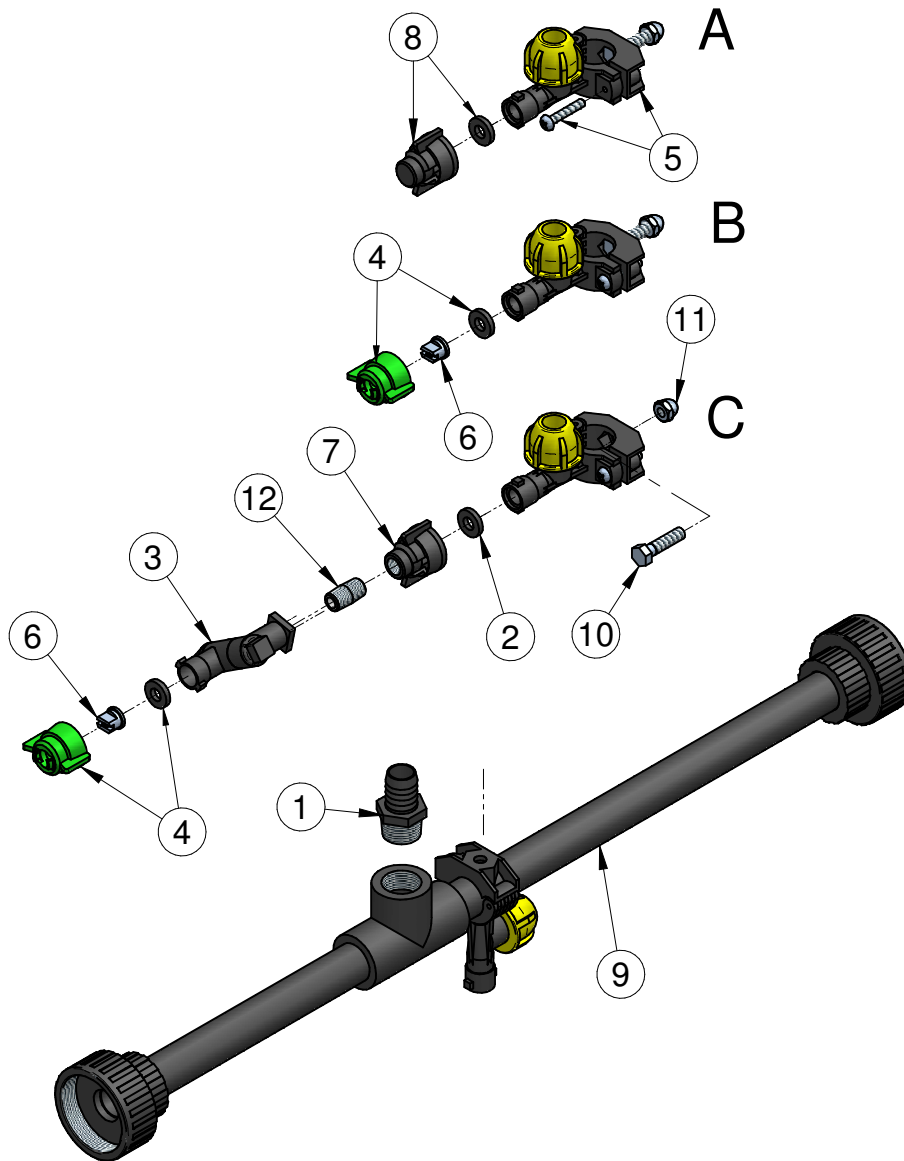


VA FULL NON FOAM 46-562-30-MP PARTS LIST



REF.	DESCRIPTION	PART NUMBER	QTY
1	NOZZLE KIT (VA & VTA) - RINSE (FULL-LIQUID)	46-560-02-MP	1
2	MANIFOLD SIDE ASSEMBLY (FULL)	46-561-20-MP	2

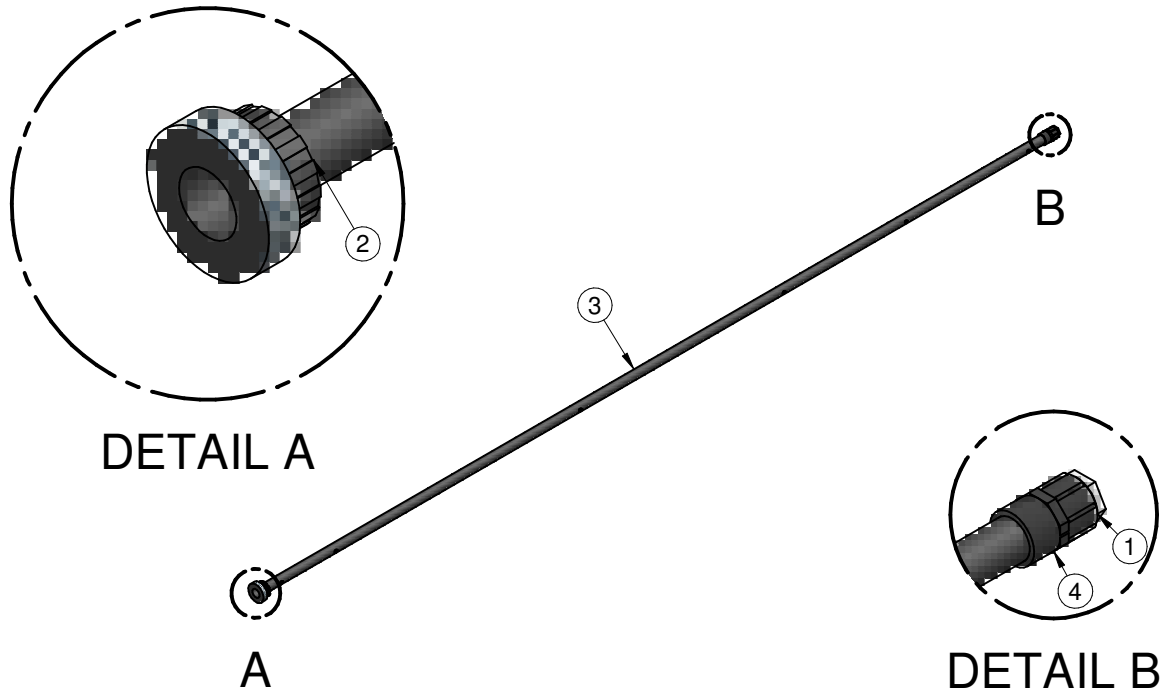
46-560-02-MP EXPLOSION



46-560-02-MP PARTS LIST

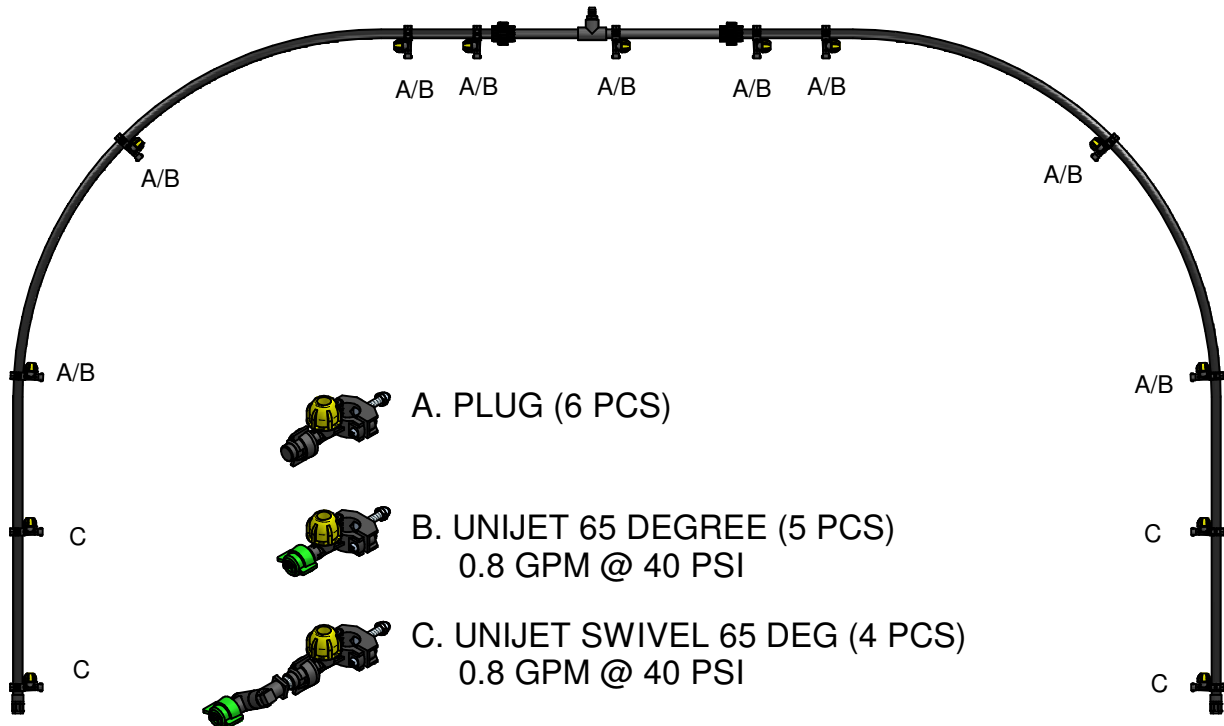
REF.	DESCRIPTION	PART NUMBER	QTY
1	FTG ADPTR BKPLY 3/4"NPT-3/4"HSBRB 3A34	10-100-04-PP	1
2	NOZZLE CAP GASKET	10-200-11-PP	4
3	NZL BODY SINGLE SWIVEL 1/4"NPT BLACK QJ8600-1/4-NYB	10-200-26-PP	4
4	QUICK TEE JET CAP & GASKET GREEN (25608-5-NYR)	10-206-00-PP	9
5	NZL BDY 3/4"PIPE QJ BOOM MNT DIAPH CHK 2PSI QJ17560A-3/4-NY	10-230-26-PP	13
6	NZL UNIJET SS 65DEGREE 0.8 GPM TPU6508-SS	10-275-26-PP	9
7	CAP THREADED 1/4 NPT (QJ4676-1/4-NYR)	10-275-31-PP	4
8	SOLID CAP AND GASKET 19843-NYR	10-275-34-PP	6
9	MANIFOLD TOP ASSEMBLY (LIQUID)	46-561-03-MP	1
10	HHCS SS 5/16"-18 X 1-1/4"	82-505-020-SIC	9
11	NUT SS ACORN 5/16"-18 UNC	84-805-000-SIC	9
12	FTG NIPPLE PVC SCH80 1/4 x CL	90-231-17-PP	4

46-561-20-MP PARTS LIST



REF.	DESCRIPTION	PART NUMBER	QTY
1	PLUG 3/4" MPT SCH80 PVC	16-036-01-PP	1
2	UNION PVC SCH80 (3/4" F x 3/4" F) MALE HALF	46-561-08-PP	1
3	MANIFOLD TUBE (FULL)	46-561-21-MP	1
4	FTG ADPTR 3/4" FPT-3/4" SCH80 (GREY)	90-070-03-PP	1

46-562-30-MP NON FOAM NOZZLES POSITION



NOZZLE PLUGS MAY BE USED IN 6 POSITIONS