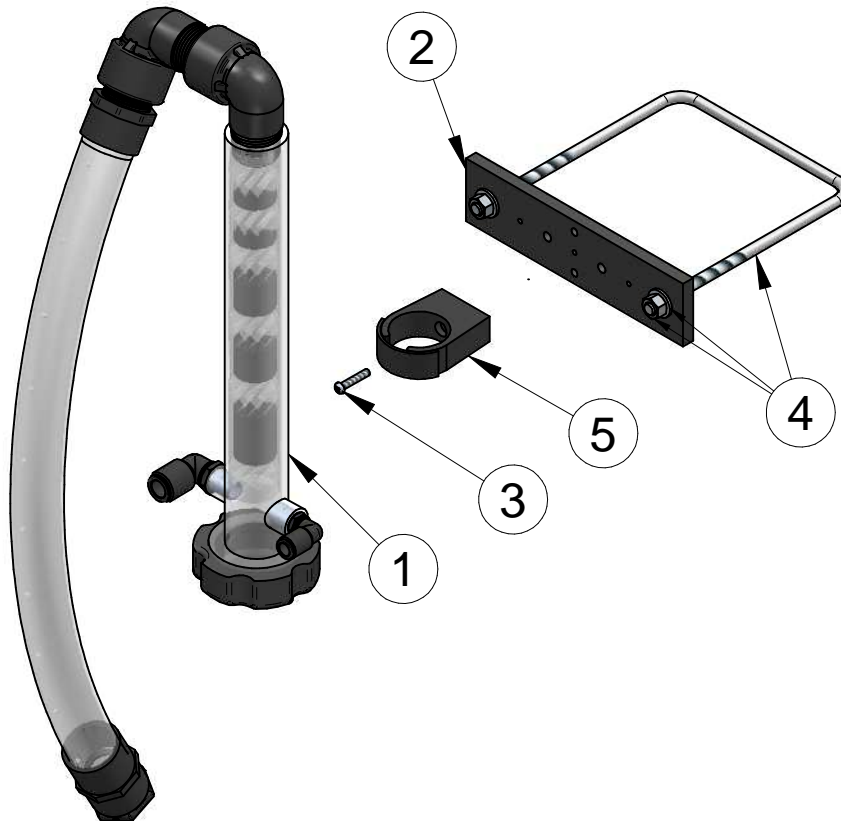


**DOCUMENT #EPL-46-140-00-MP*****INCLUDES:*****46-140-00-MP BANANA FOAMER SET SQUARE POST MOUNT****46-140-99-MP BANANA FOAMER SET ROUND POST SINGLE****46-340-00-MP BANANA TRIPLE FOAMER SET SQUARE POST MOUNT****46-340-99-MP BANANA TRIPLE FOAMER SET 2.5" ROUND TUBE****46-740-00-MP BANANA FOAMER OVERHEAD SQUARE TUBE****46-740-99-MP BANANA FOAMER OVERHEAD 2.5" ROUND TUBE**

### 46-140-00-MP EXPLOSION

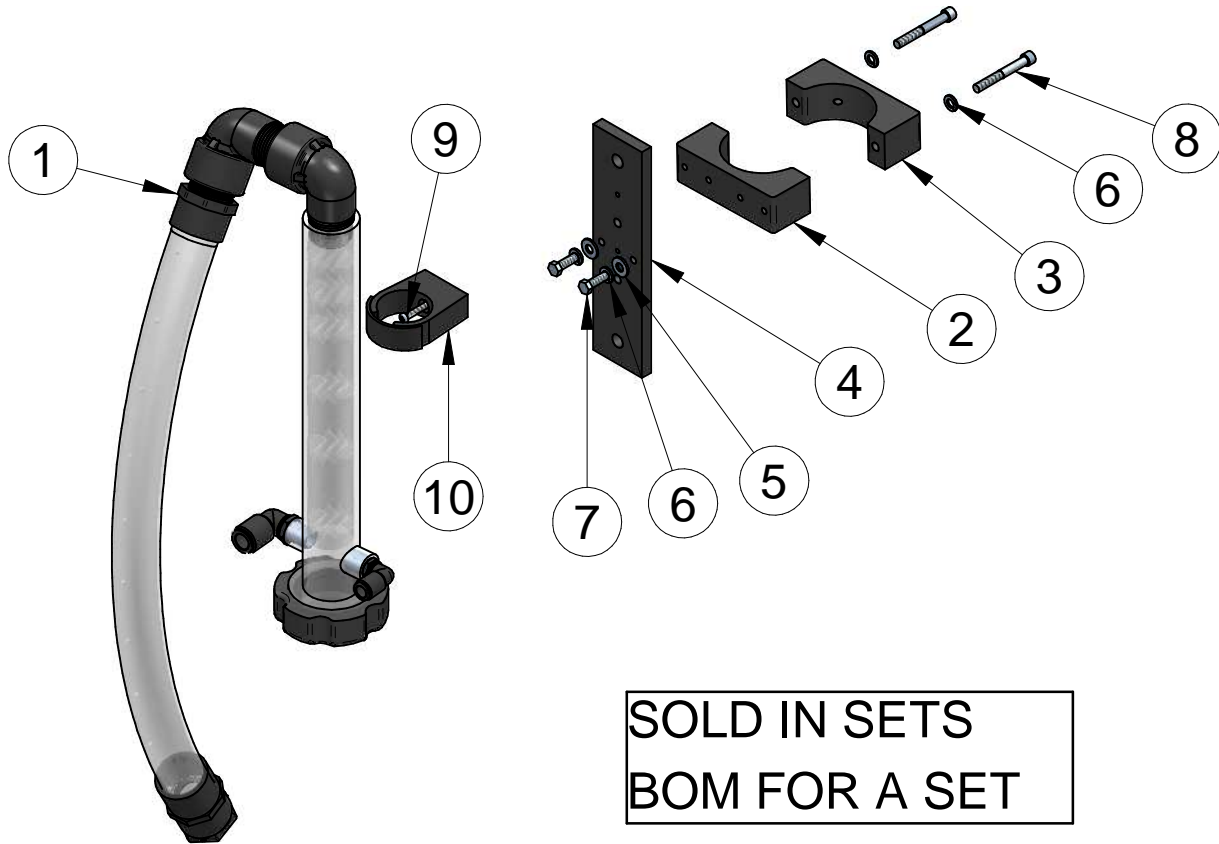


SOLD IN SETS  
BOM FOR A SET

### 46-140-00-MP PARTS LIST

REF.	DESCRIPTION	PART NUMBER	QTY
1	BANANA FOAMER W/ FOAM GENERATOR & PUSH PULL AIR FITTINGS	46-105-75-PP	2
2	UNNIVERSAL FOAMER MOUNT BRKT	46-740-50-BK	2
3	SCREW PHL PAN-HD SS #10-24 x 1"	83-510-016-SNC	2
4	3/8 SQUARE U BOLT SS WITH NUT AND WASHERS	90-046-06-PP	2
5	1-1/4 SCH40 COBRA CLAMP DURAPIPE	90-259-50-PP	2

### 46-140-99-MP EXPLOSION

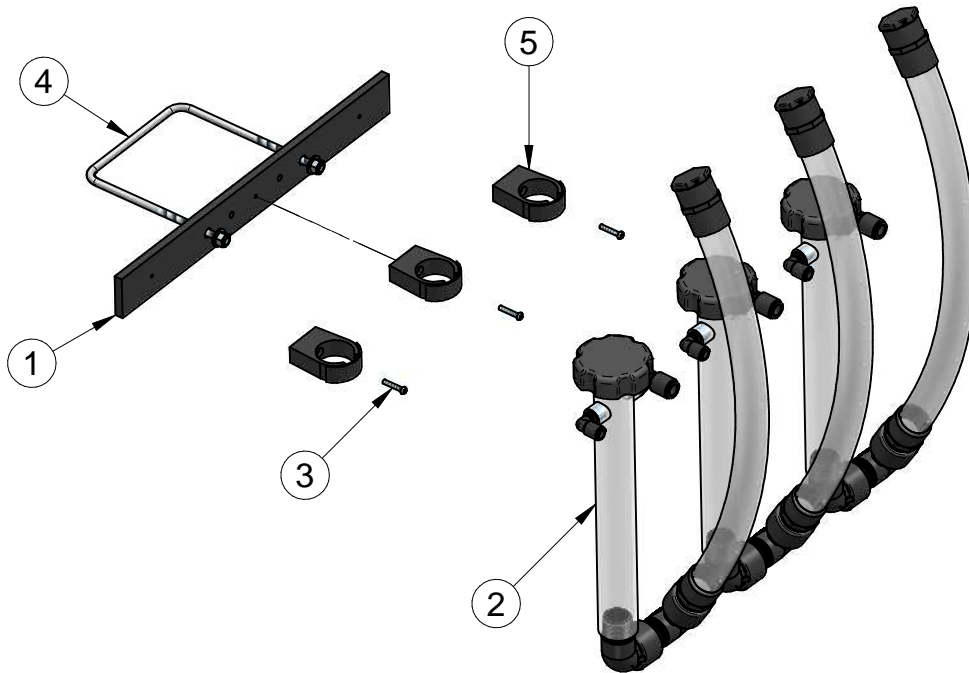


**SOLD IN SETS  
BOM FOR A SET**

### 46-140-99-MP PARTS LIST

REF.	DESCRIPTION	PART NUMBER	QTY
1	BANANA FOAMER W/ FOAM GENERATOR & PUSH PULL AIR FITTINGS	46-105-75-PP	2
2	CLAMP (THREADED)	46-500-50-BK	2
3	CLAMP (COUNTER BORED HOLES)	46-500-51-BK	2
4	UNNIVERSAL FOAMER MOUNT BRKT	46-740-50-BK	2
5	WSHR SS FLAT 1/4" (0.056"/0.063"THK)	80-104-000-SI	4
6	WSHR SS LOCK 1/4"	80-904-000-SI	8
7	HHCS SS 1/4"-20 x 3/4"	82-504-012-SIC	4
8	SHCS SS 1/4-20x2"	82-704-032-SIC	4
9	SCREW PHL PAN-HD SS #10-24 x 1"	83-510-016-SNC	2
10	1-1/4 SCH40 COBRA CLAMP DURAPIPE	90-259-50-PP	2

### 46-340-00-MP EXPLOSION

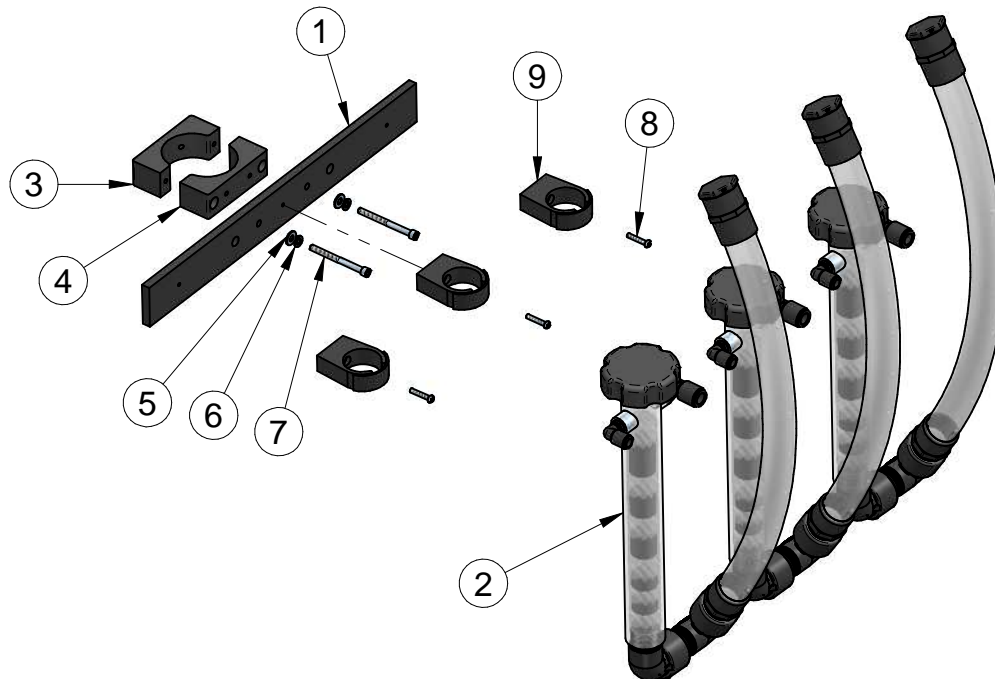


**SOLD IN SETS  
BOM FOR SET**

### 46-340-00-MP PARTS LIST

REF.	DESCRIPTION	PART NUMBER	QTY
1	ANOD BLACK TRI BANANA MOUNT PLATE	46-105-25-BK	2
2	BANANA FOAMER W/ FOAM GENERATOR & PUSH PULL AIR FITTINGS	46-105-75-PP	6
3	SCREW PHL PAN-HD SS #10-24 x 1"	83-510-016-SNC	6
4	3/8 SQUARE U BOLT SS WITH NUT AND WASHERS	90-046-06-PP	2
5	1-1/4 SCH40 COBRA CLAMP DURAPIPE	90-259-50-PP	6

### 46-340-99-MP EXPLOSION

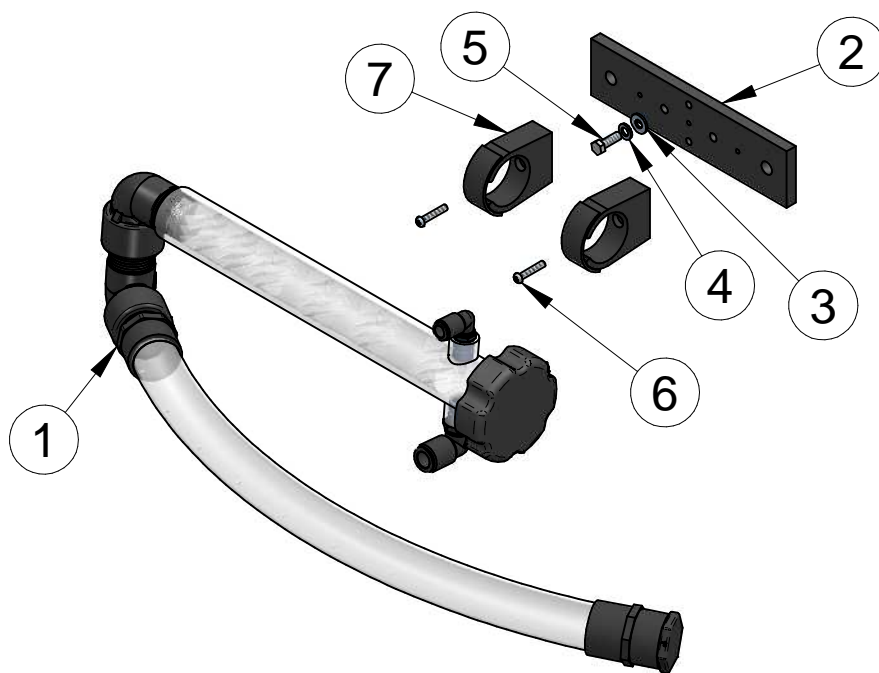


**SOLD IN SETS  
BOM FOR SET**

### 46-340-99-MP PARTS LIST

REF.	DESCRIPTION	PART NUMBER	QTY
1	ANOD BLACK TRI BANANA MOUNT PLATE	46-105-25-BK	2
2	BANANA FOAMER W/ FOAM GENERATOR & PUSH PULL AIR FITTINGS	46-105-75-PP	6
3	CLAMP (THREADED)	46-500-50-BK	2
4	CLAMP (COUNTER BORED HOLES)	46-500-51-BK	2
5	WSHR SS FLAT 1/4" (0.056"/0.063"THK)	80-104-000-SI	4
6	WSHR SS LOCK 1/4"	80-904-000-SI	4
7	SHCS SS 1/4"-20 x 2-3/4"	82-704-044-SIC	4
8	SCREW PHL PAN-HD SS #10-24 x 1"	83-510-016-SNC	6
9	1-1/4 SCH40 COBRA CLAMP DURAPIPE	90-259-50-PP	6

### 46-740-00-MP EXPLOSION

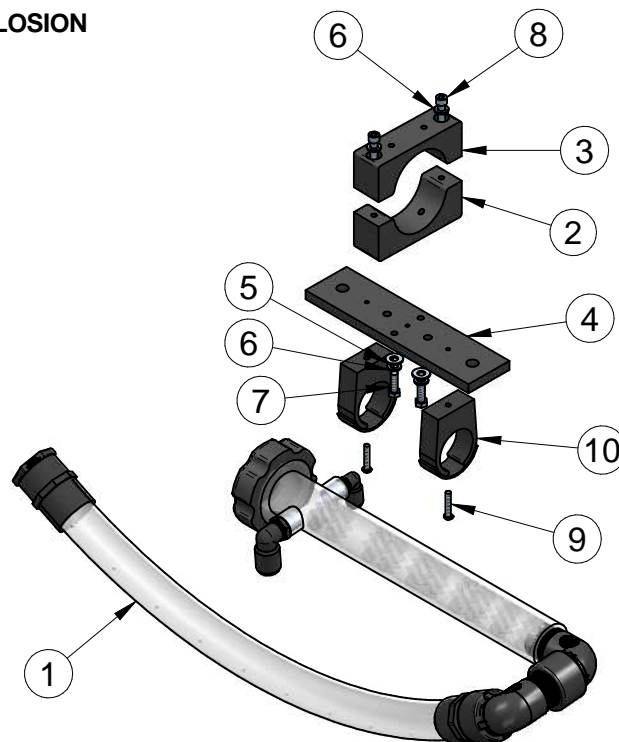


**SOLD INDIVIDUALLY**

### 46-740-00-MP PARTS LIST

REF.	DESCRIPTION	PART NUMBER	QTY
1	BANANA FOAMER W/ FOAM GENERATOR & PUSH PULL AIR FITTINGS	46-105-75-PP	1
2	UNNIVERSAL FOAMER MOUNT BRKT	46-740-50-BK	1
3	WSHR SS FLAT 1/4" (0.056"/0.063"THK)	80-104-000-SI	2
4	WSHR SS LOCK 1/4"	80-904-000-SI	2
5	HHCS SS 1/4"-28 x 3/4"	82-504-012-SIF	2
6	SCREW PHL PAN-HD SS #10-24 x 1"	83-510-016-SNC	2
7	1-1/4 SCH40 COBRA CLAMP DURAPIPE	90-259-50-PP	2

### 46-740-99-MP EXPLOSION



**SOLD INDIVIDUALLY**

### 46-740-99-MP PARTS LIST

REF.	DESCRIPTION	PART NUMBER	QTY
1	BANANA FOAMER W/ FOAM GENERATOR & PUSH PULL AIR FITTINGS	46-105-75-PP	1
2	CLAMP (THREADED)	46-500-50-BK	1
3	CLAMP (COUNTER BORED HOLES)	46-500-51-BK	1
4	UNNIVERSAL FOAMER MOUNT BRKT	46-740-50-BK	1
5	WSHR SS FLAT 1/4" (0.056"/0.063"THK)	80-104-000-SI	2
6	WSHR SS LOCK 1/4"	80-904-000-SI	4
7	HHCS SS 1/4"-20 x 3/4"	82-504-012-SIC	2
8	SHCS SS 1/4-20x2"	82-704-032-SIC	2
9	SCREW PHL PAN-HD SS #10-24 x 1"	83-510-016-SNC	2
10	1-1/4 SCH40 COBRA CLAMP DURAPIPE	90-259-50-PP	2