

Your customers will notice the difference!



No other **wheel cleaning system** conquers the distinct challenges of wheel and tire cleaning like **Wheel Boss**. The unique design of the MacNeil all-in-one wheel brush reaches deep to scrub rims and tires to a sparkling clean, while eliminating additional labor and prep time.

WHY CHOOSE WHEEL BOSS?

- Unique brush assembly simplifies replacement, saving money through reduced labor and downtime
- Available with patented cam style foam brush material or nylon stepped brush design
- Cam style foam brush – the safest and gentlest clean in the industry. Reaches deep into wheels without bridging critical areas
- Simple height adjustment and leveling
- Rugged construction ensures maximum product life and lower maintenance costs
- Ideal for tunnel and in-bay automatic car washes



Less work, more clean

An easy revenue-generating add-on to your tunnel system or in-bay automatic, Gloss Boss gets into all those hard to reach areas that other on-line applicators miss by evenly applying the perfect amount of tire dressing.



Add it today, profit tomorrow

Wheel Boss is a quick and easy revenue-generating add-on, ideal for new sites and existing operations.

Tires that turn a profit



WHEEL BOSS CLEANING SYSTEM

WHAT'S INCLUDED

- ✓ Maintenance free Pro-Coat finish available in **Colors That Clean**
- ✓ Stainless steel hardware
- ✓ Electric drive
- ✓ Individually controlled side pressure
- ✓ One year manufacturer warranty



COMPLIMENTARY EQUIPMENT

- ✓ Chemical tire applicator
- ✓ Magnum High Pressure Wheel Blaster
- ✓ Gloss Boss Tire Shine Applicator

TECHNICAL DATA

Electric Motor:

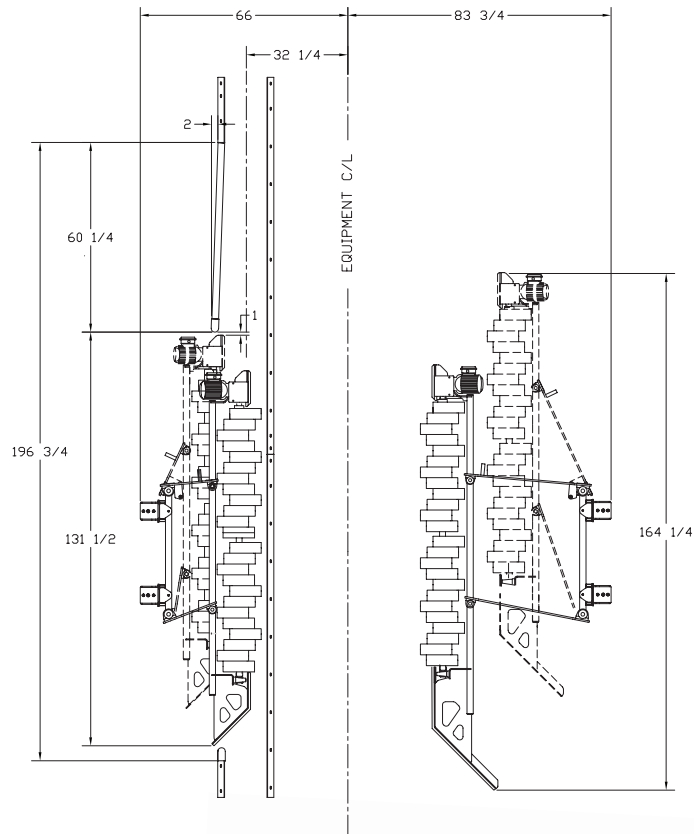
- IP-65 electric motor
- 0.5kw / 1HP each
- 3 phase – 208/230/460 VAC 60HZ
- 159RPM

Pneumatics:

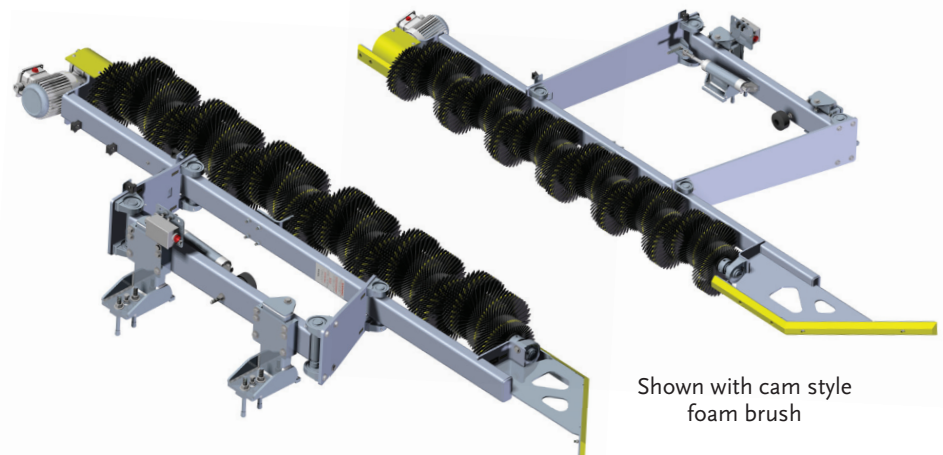
- 1/4" (6.35mm) cyl. lines
- 0.5 CFM (0.014m³/min)
- Supply 50psi (3.4 bar)

Control Voltage:

- 24 VAC Control Voltage Signal
OR 110 VAC Control Voltage Signal



Specifications subject to change. Information provided is for reference only and is not to be used for installation or construction purposes. Refer to MacNeil Wash Systems' equipment drawings for installation specifications. AUGUST 2011



Shown with cam style foam brush

Affordable, unbeatable carwash equipment

For close to 30 years MacNeil Wash Systems has provided superior carwash equipment to the tunnel car wash industry, automotive dealers, fleet and rental markets. Our turnkey systems, profit-boosting add-ons and cost-effective retrofits have been the envy of the industry, delivering a consistently superior clean with lower maintenance, higher throughput and greater revenue opportunity. Today, MacNeil equipment is more affordable than ever. Put us to the test.



www.macneilwash.com
1-800-361-7797



Everyone wants a MacNeil. Now everyone can have one.

11-08-11