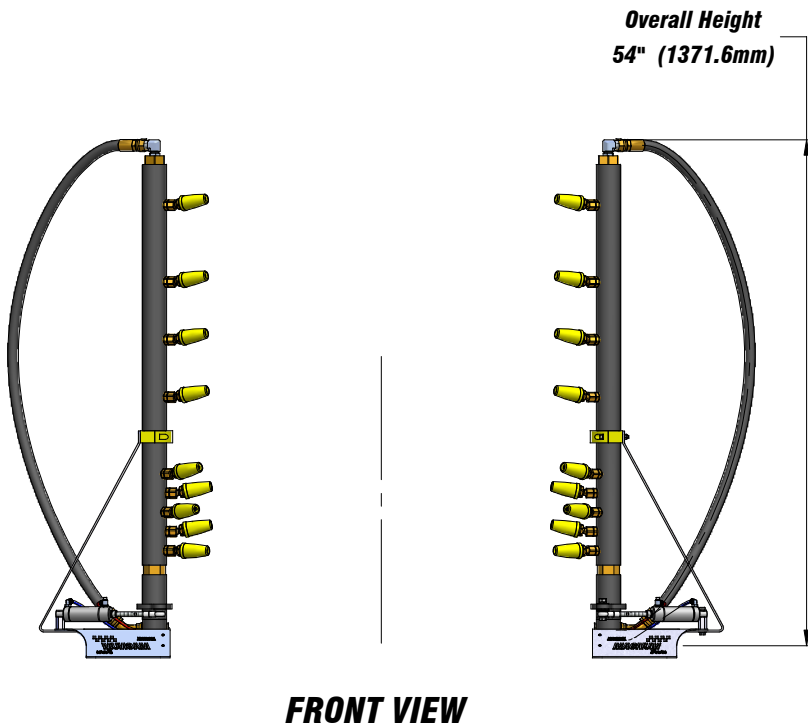
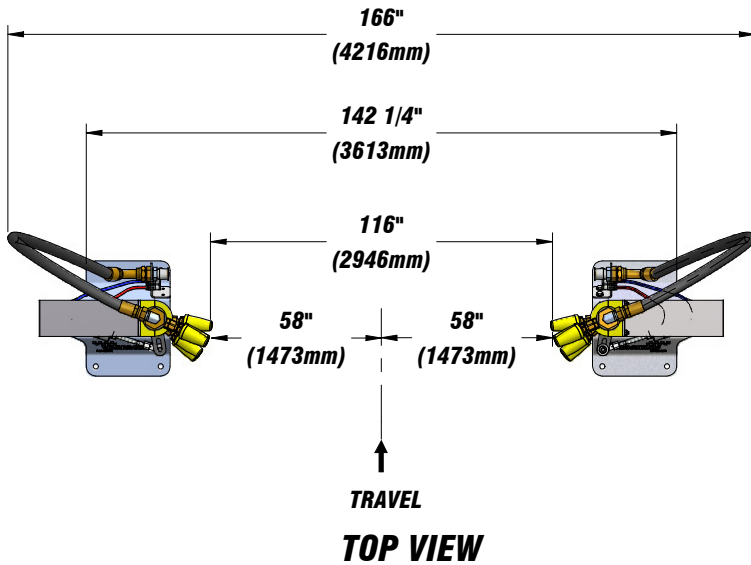




SIDE BLASTER SB900, SB900FF

REV 'A'



SPECIFICATIONS SUBJECT TO CHANGE. INFORMATION IS PROVIDED FOR REFERENCE ONLY AND IS NOT TO BE USED FOR INSTALLATION OR CONSTRUCTION PURPOSES. REFER TO MACNEIL WASH SYSTEMS EQUIPMENT DRAWINGS FOR INSTALLATION SPECIFICATIONS. REVISED July 18/07

FEATURES:

- 9 high pressure turbo nozzles
- Anodized Black mounting post/manifold
- Aluminum and Brass Construction
- Stainless Steel base and hardware
- Minimal space requirements

OPTIONS:

- Fixed position 9-Nozzle manifold
- 9-Nozzle manifold with pneumatically operated Following Feature
- M3500 Magnum Pumping Station (35GPM)

TECHNICAL DATA:

WATER:

- 32.2 GPM (81.31 LPM) for 9 Nozzle SB pair at 800 PSI (55 BAR) pressure
- 3/4" supply line - up to 50ft
- 1" supply line - over 50ft

PNEUMATICS:

(for optional Following Feature only)

- 1/4" (6mm) Line
- Consumption - 1/2 CFM (14.16 LPM)

ELECTRICAL:

FOLLOWING FEATURE

- 24 VAC or 110VAC Control Voltage
- One output required for the Following Feature
- One output required for the Pumping Station

FIXED POSITION

- One output required for the Pumping Station