



EPL-RS701E

REV. A

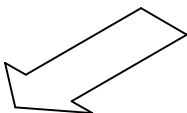
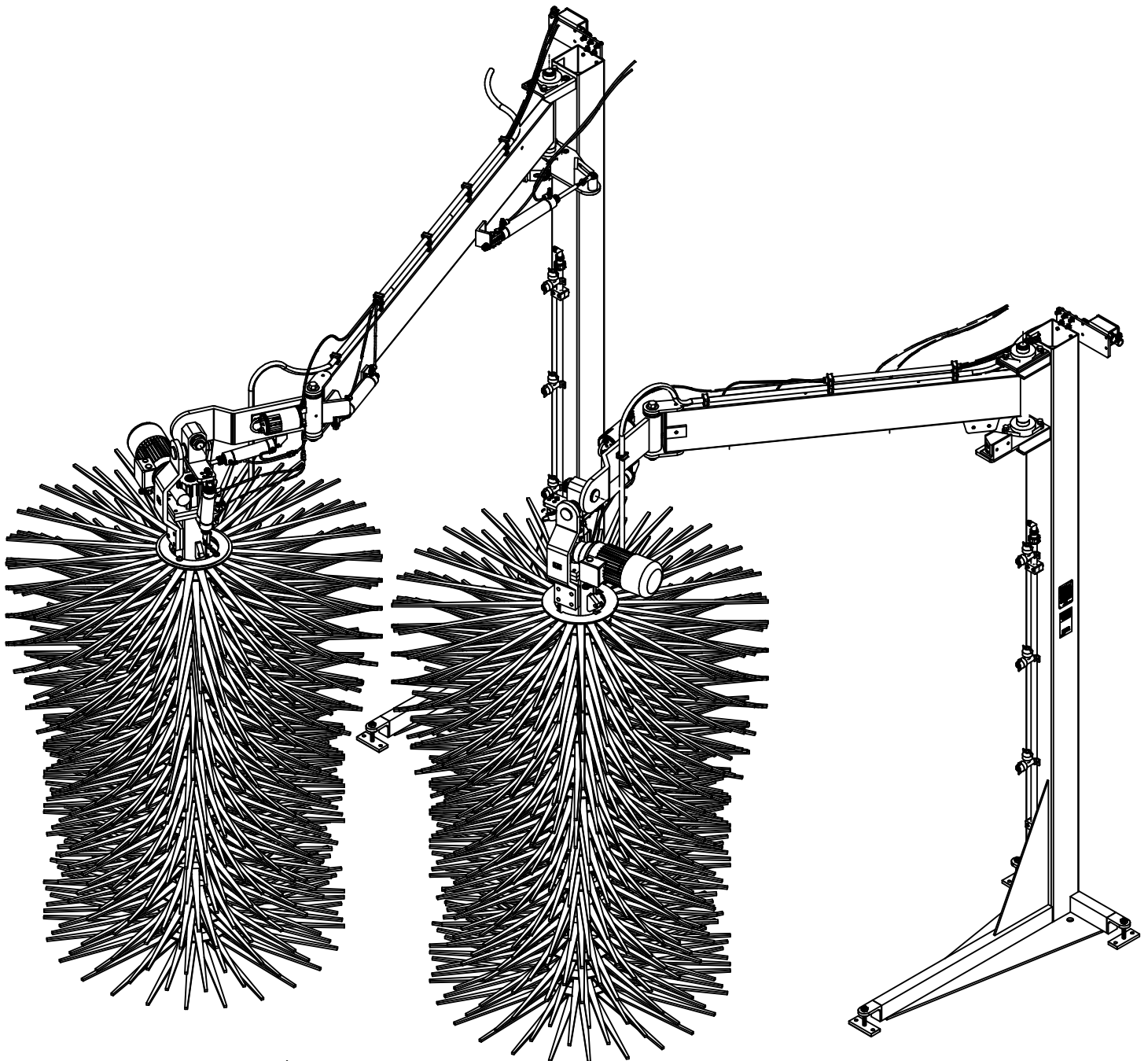
April 2005

Superflex

RS 701 Electric

**SUPERFLEX WRAPAROUND WASHER
(FREE STANDING)**

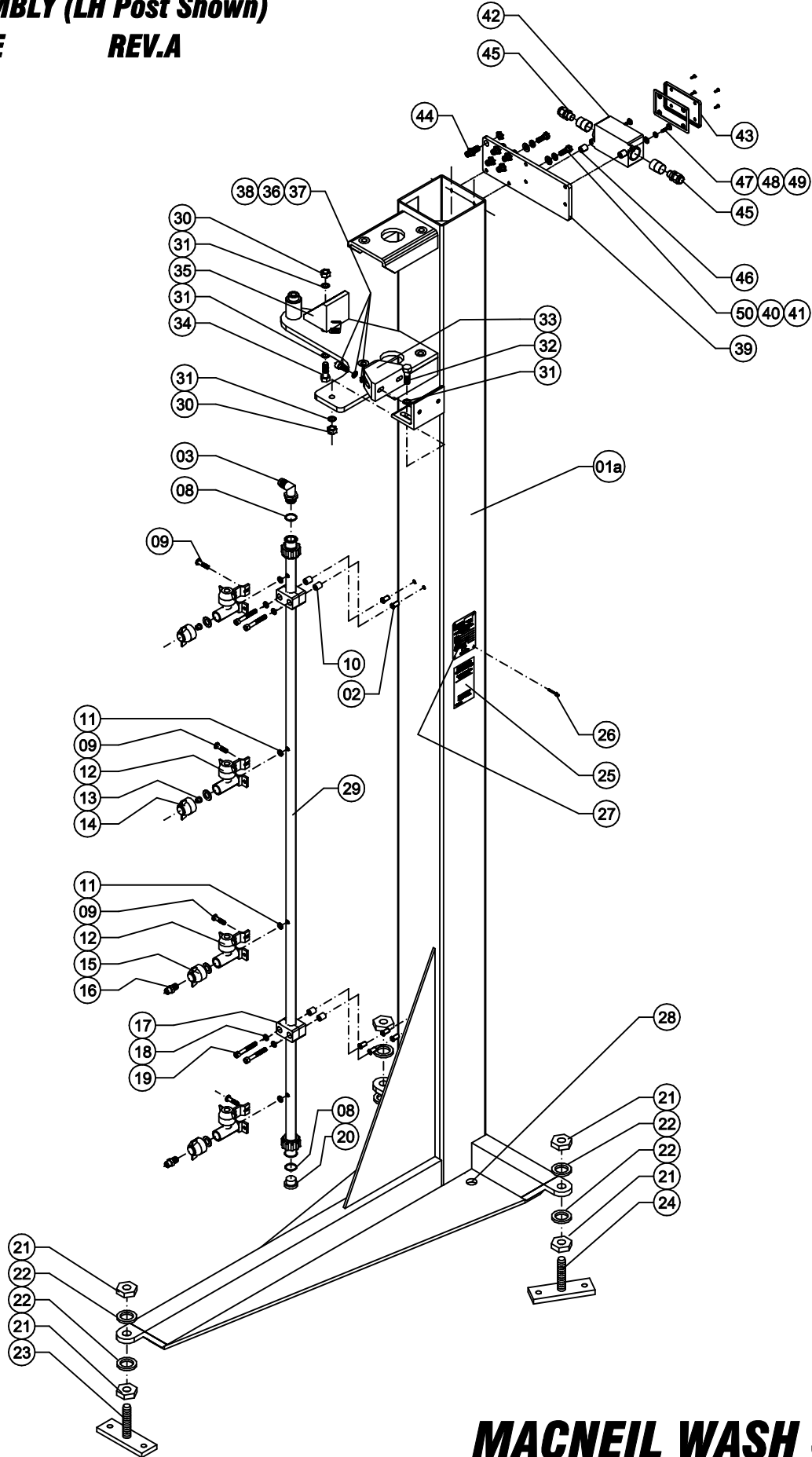
PARTS LIST



MACNEIL WASH SYSTEMS

RS701-Electric SUPERFLEX WASHER

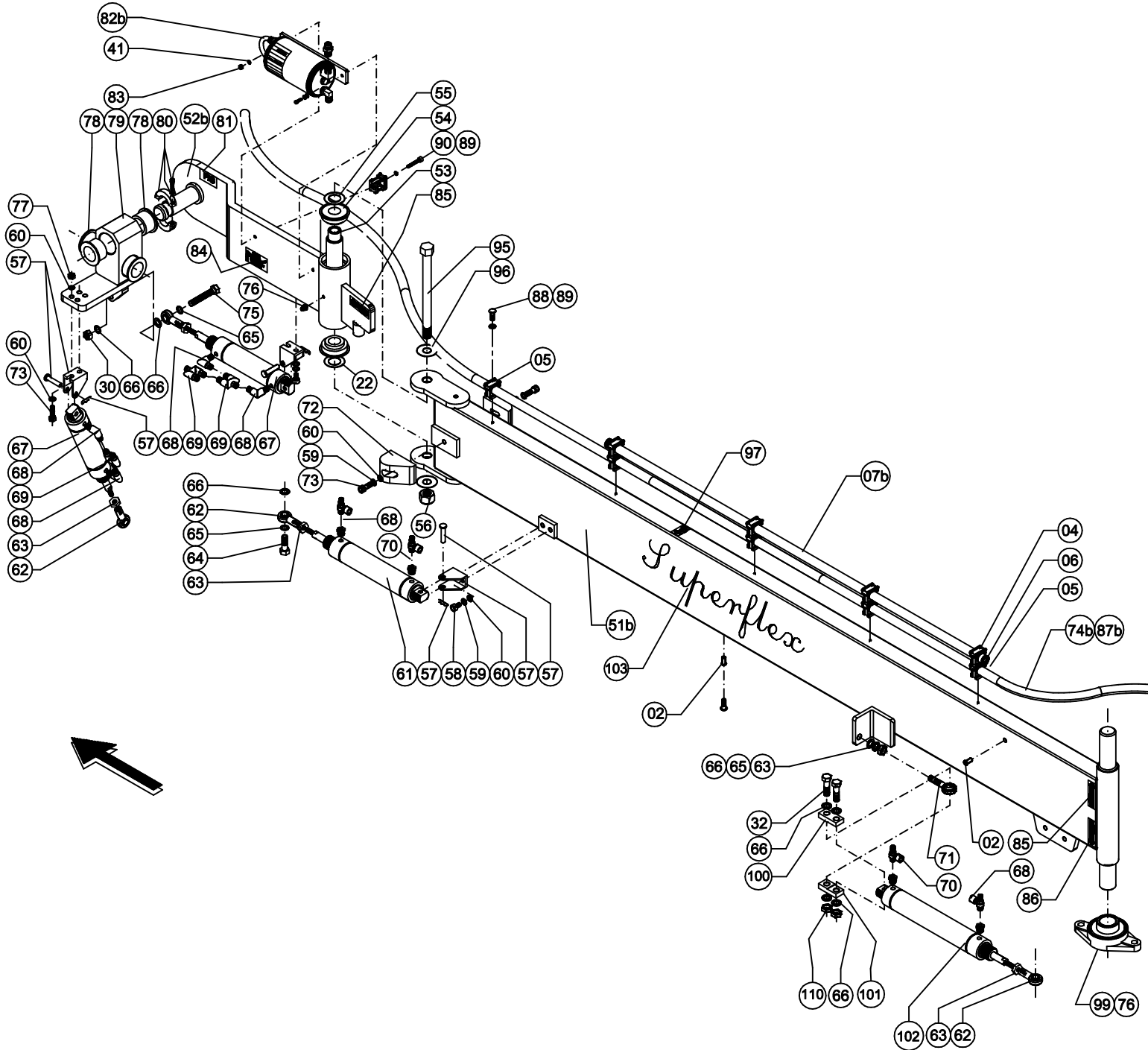
POST ASSEMBLY (LH Post Shown)
EPL-RS701E REV.A



RS701-Electric SUPERFLEX WASHER

HORIZONTAL ARM ASSEMBLY (RH Arm Shown)

EPLRS701E
REV.A
PAGE #2



MACNEIL WASH SYSTEMS

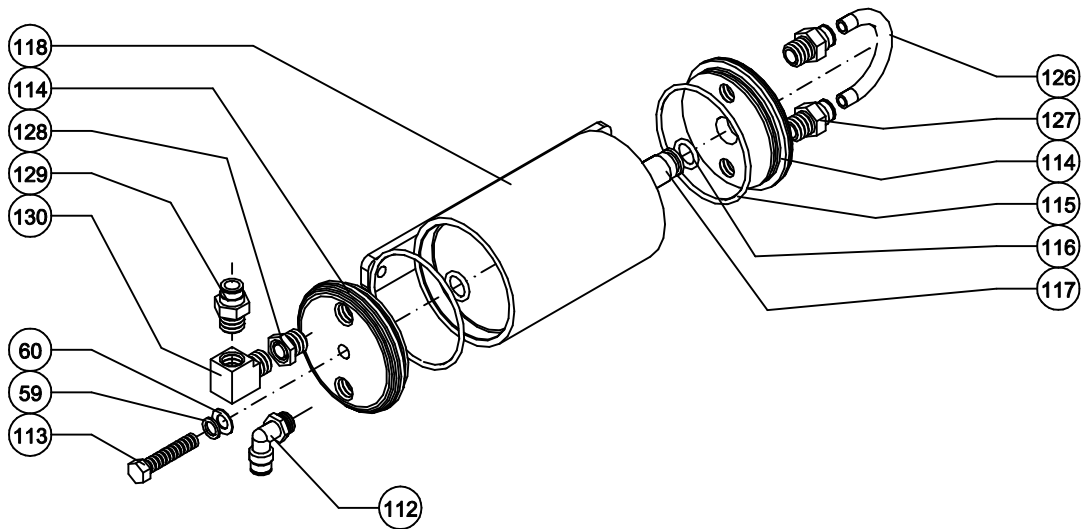
RS701-Electric SUPERFLEX WASHER

EPLRS701E
REV.A
PAGE #3

OIL RESERVOIR

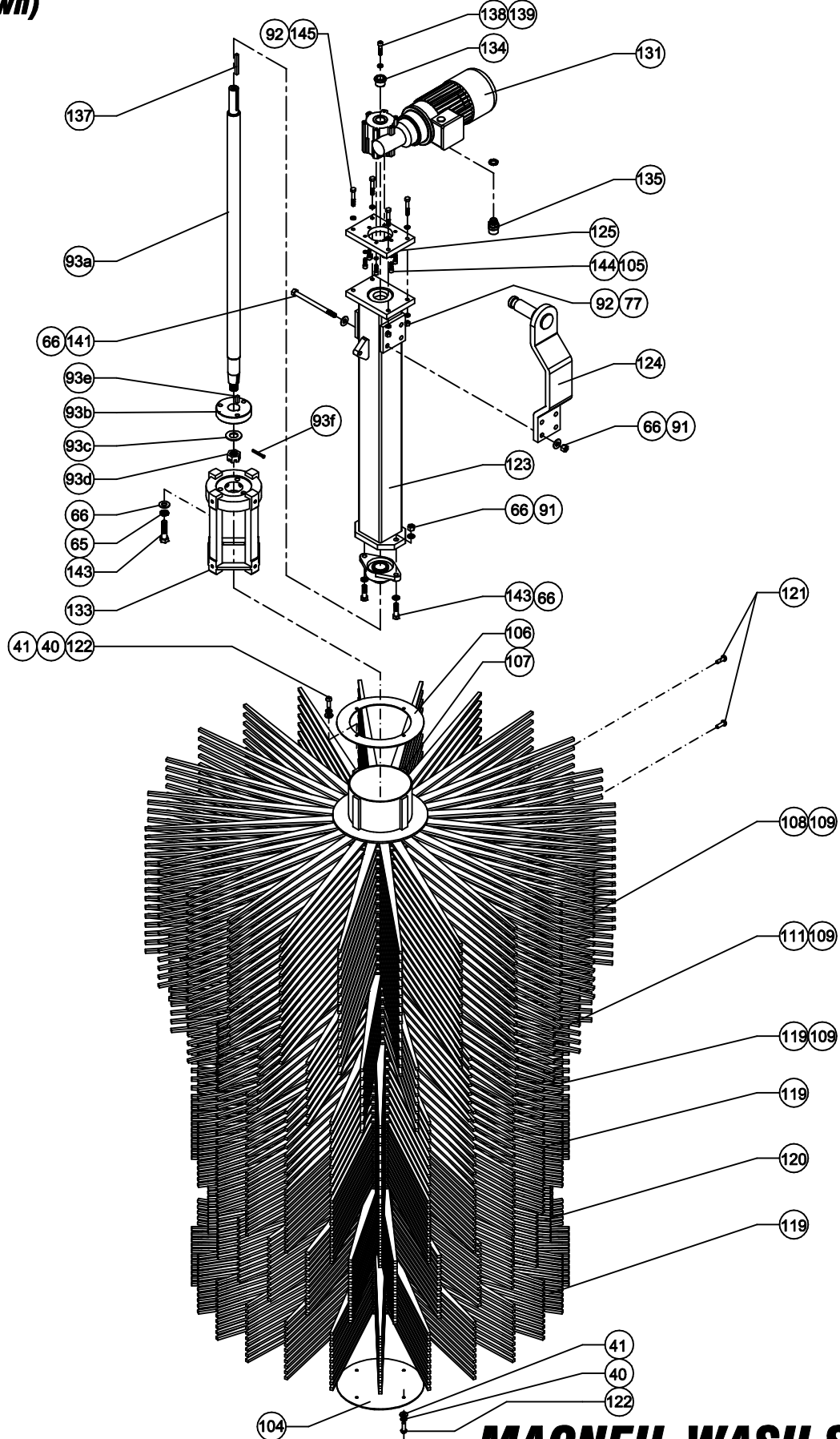
PART NO. FOR LH : 75-560-07-MP (Shown)

PART NO. FOR RH : 75-560-08-MP



RS701-Electric SUPERFLEX WASHER

VERTICAL ARM (SECOND GENERATION ENVIROSOFT) (RH Arm Shown)



RS-701 Electric SUPERFLEX WASHER

PAGE #5

EPL-RS701E-A

FREE STANDING

<i>Item no.</i>	<i>Req'd</i>	<i>Description</i>	<i>Part no.</i>	<i>Remarks</i>
1 a	1	RS701 LH Post S/G	56-130-00-SG	
1 b	1	RS701 RH Post S/G	56-140-00-SG	
2	28	Rivet Nut Open End 1/4-20 PL	85-904-000-ZIC	
3	2	FTG Elbow Blk 3/4" HB-MGHT	52-522-00-PP	
4	10	PMA System Support	90-068-04-PP	
5	6	PMA System Support – Machined	90-068-04-MP	
6	4	PMA Terminal Sleeve	90-068-05-PP	
7 a	1	PMA Conduit x 49 1/4" long	90-068-01-PP	
7 b	1	PMA Conduit x 20 1/4" long	90-068-01-PP	
8	4	Garden Hose Washer	90-202-00-PP	
9	8	#10-24X5/8" PHL S.S.	83-510-010-SNC	
10	8	Spacer NY 1/2"dia. X 5/8"lg	89-008-010-NI	
11	8	Nozzle Body O'ring	10-200-03-PP	
12	8	Nozzle Anti-Drip Body 1/2"	10-200-01-PP	
13	4	Nozzle Tip Blue Plastic 10F80CB	10-250-02-PP	
14	4	Nozzle Cap & Gasket	10-200-02-PP	
15	4	Nozzle Cap & Gasket 1/4NPT	10-201-02-PP	
16	4	Nozzle Tip Plastic 1/4NPT 10E40	10-250-03-PP	
17	4	Hose Block 3/4 Single CSHN Pair	90-153-00-PP	
18	8	Flat Washer 1/4" Small O.D. S.S.	80-304-000-SI	
19	8	SHCS1/4-20X 1 3/4" S.S.	82-704-028-SIC	
20	2	Fitting Plug 3/4GHT	90-063-00-PP	
21	12	Nut 3/4"-10 S.S.	84-012-000-SIC	
22	14	Thrust Washer 3/4" S.S.	80-612-000-SI	
23	2	Adjuster Foot Base 5 1/4" S.S.	10-003-00-MP	
24	4	Adjuster Foot Base 4 1/2" S.S.	10-005-00-MP	
25	1	Powder Coating Warning Decal	36-012-00-PP	
26	4	1/8" X 3/8" Pop Rivet	87-002-000-AI	
27	1	Serial ID Tag S.S.	36-900-00-PP	
28	4	Anchor Bolt 5/8 x 5"lg	82-210-080-ZIC	
29	2	Manifold Pipe Ass'y 71" S.S.	42-651-00-MP	
30	8	NyLock Nut 1/2"-13 S.S.	85-008-000-SIC	
31	12	Flat Washer 1/2" S.S.	80-108-000-SI	
32	8	HHCS1/2-13X2" S.S.	82-508-032-SIC	
33	2	Main Bumper Stop	56-810-00-MP	
34	8	HHCS1/2-13X2 1/2" S.S.	82-508-040-SIC	
35	2	Main Arm Bumper Block	56-350-00-BK	

RS-701 Electric SUPERFLEX WASHER

PAGE #6

EPL-RS701E-A

FREE STANDING

Item no.	Req'd	Description	Part no.	Remarks
36	4	SHCS3/8-16X1 1/4" S.S.	82-706-020-SIC	
37	8	Lock Washer High Collar 3/8" S.S.	81-206-000-SI	
38	8	Flat Washer 3/8" Small O.D. S.S.	80-306-000-SI	
39	2	J-Box / Pneumatic Mounting Plate	56-116-00-BK	
40	38	Lock Washer 1/4" S.S.	80-904-000-SI	With 2nd Envirosoft Qty:52
41	40	Flat Washer 1/4" S.S.	80-104-000-SI	With 2nd Envirosoft Qty:52
42	2	Electric Junction Box	70-201-00-PP	
43	2	Junction Box lid c/w gasket	70-201-00-PP	
44	10	Bulkhead Air Ftg 1/4 Tube	90-005-01-PP	
45	4	Strain Relief	70-900-00-PP	
46	4	1/2" Dia x 1/4" Nylon spacer	89-008-004-NI	
47	4	#10-24 x 1" Pan Hd Phl Screw	83-510-016-SNC	
48	4	#10 Flat Washer S.S.	80-110-000-SN	
49	4	#10 Lock Washer S.S.	80-910-000-SN	
50	4	HHCS 1/4-20 x 1 1/4" S.S.	82-504-020-SIC	
51 a	1	Main Arm LH Short SG	56-310-00-SG	
	***	Main Arm LH Long SG	56-340-00-SG	
51 b	1	Main Arm RH Long SG	56-320-00-SG	
	***	Main Arm RH Short SG	56-330-00-SG	
52 a	1	Secondary Arm LH SG	56-410-00-SG	
	***	Secondary Arm LH SG Mirror Image	56-440-00-SG	
52 b	1	Secondary Arm RH SG	56-420-00-SG	
	***	Secondary Arm RH SG Mirror Image	56-430-00-SG	
53	2	Secondary Arm Spindle	56-400-00-ZN	
54	4	Ball Bearing	90-195-00-PP	
55	2	Flat Washer Shim 3/4" S.S.	80-512-000-SI	
56	2	NyLock Nut 3/4-10 S.S.	85-012-000-SIC	
57	6	Pivot Bracket S.S. (Brkt,Pin,SS Clip)	90-174-00-MP	
58	10	SHCS3/8-16X1" S.S.	82-706-016-SIC	
59	24	Lock Washer 3/8" S.S.	80-906-000-SI	
60	32	Flat Washer 3/8" S.S.	80-106-000-SI	
61	2	Air Cylinder 2" Dia, 6" Stroke	90-100-01-PP	
62	8	Rod End 1/2" Female	90-151-02-PP	
63	10	Jam Nut 1/2"-20 S.S.	84-108-000-SIF	
64	12	HHCS 1/2-13X1 1/2" S.S.	82-508-024-SIC	
65	22	Lock Washer 1/2" S.S.	80-908-000-SI	
66	44	Flat Washer 1/2" SAE S.S.	80-208-000-SI	
67	4	Air Cylinder 2" Dia., 4" Stroke	90-100-07-PP	
68	12	1/4NPT-1/4TBE Swivel Elbow Fitting	90-223-06-PP	
69	6	Ftg "Y" 1/4" Tube	90-253-04-PP	
70	4	1/4NPT-3/8TBE Swivel Elbow Fitting	90-225-07-PP	

MACNEIL WASH SYSTEMS

RS-701 Electric SUPERFLEX WASHER

PAGE #7

EPL-RS701E-A

FREE STANDING

Item no.	Req'd	Description	Part no.	Remarks
71	2	Rod End 1/2" Male	90-151-03-PP	
72	4	Short Arm Bumper Stop	56-820-00-MP	
73	10	SHCS 3/8-16X1 1/2" S.S.	82-706-024-SIC	
74 a	148	Inches PMA Conduit Black	90-068-01-PP	
74 b	176	Inches PMA Conduit Black	90-068-01-PP	
75	4	HHCS 1/2-13x 2 1/2" FLTD S.S.	82-608-040-SIC	For Elec Vert Arm & Pivot
76	6	Grease Fitting Straight 1/4-28	44-133-02-PP	
77	12	NyLock Nut 3/8-16 S.S.	85-006-000-SIC	
78	8	Bushing Pivot Head	56-080-00-PP	
79	2	Pivot Head Universal Black	56-010-00-BK	
80	4	Collar 1 1/4" Dia. Double Split	56-071-00-PP	
81 a	2	Decal LH	36-007-02-PP	
81 b	2	Decal RH	36-007-03-PP	
82 a	1	Flex Control Oil Reservoir LH	75-560-07-PP	
82 b	1	Flex Control Oil Reservoir RH	75-560-08-PP	
83	12	HHCS1/4-20X3/4" S.S.	82-504-012-SIC	
84 a	1	Decal Speed Rotation CW	36-070-00-PP	RH, with 1st Envsft
	1	Decal Speed Rotation CW 100rpm	36-070-02-PP	RH, with 2nd Envsft
84 b	1	Decal Speed Rotation CCW	36-070-01-PP	LH, with 1st Envsft
	1	Decal Speed Rotation CCW 100rpm	36-070-03-PP	LH, with 2nd Envsft
85	3	Decal Grease Monthly Left	36-015-05-PP	
86	3	Decal Grease Monthly Right	36-015-04-PP	
87 a	156	Inches 14 Ga. 4 Wire Blk	33-600-40-5BK	
87 b	184	Inches 14 Ga. 4 Wire Blk	33-600-40-5BK	
88	13	Button Hd Screw 1/4-20 x 1" S.S.	83-204-016-SIC	
89	10	1/4" x 1/2" Flat Washer S.S.	80-304-000-SI	
90	2	SHCS 1/4-20 x 1 3/4" S.S.	82-704-028-SIC	
91	12	Nylock Nut 1/2-13 S.S.	85-008-000-SIC	
92	16	Flat Washer 3/8" S.S.	80-106-000-SI	
93a	2	El. RS701 Drive Shaft S.S.	56-570-00-MP	
93b	2	El. RS701 Drive Shaft Hub	56-575-00-ZN	
93c	2	1" x 2" Washer S.S.	80-216-000-SI	
93d	2	Castle Nut 1"-14 UNF S.S.	84-216-000-BIF	
93e	2	(8mm) Square Key x 1"	53-710-08-MP	
93f	2	Cotter Pin 3/16" Dia x 2" S.S.	86-003-032-SI	
95	2	HHCS 3/4-10X10" PL	82-512-160-ZIC	
96	4	Flat Washer Shim 3/4", 1/32"th. , S.S.	80-512-001-SI	
97	2	Decal For Balance Point	36-905-00-PP	
98				
99	6	Bearing Flange 1 1/2" S.S.	90-190-00-PP	
100	2	Splice Plate	56-742-02-MP	
101	2	Splice Plate, Tapped	56-742-03-MP	
102 a	1	Air Cylinder	90-100-10-PP	Used For Short Arm
102 b	1	Air Cylinder	90-100-09-PP	Used For Long Arm
103	2	Decal Superflex	36-701-00-PP	
104	2	Retainer Guard Disc	53-300-11-CL	
105	12	8mm High Collar Lock Washer S.S.	81-308-000-SI	

MACNEIL WASH SYSTEMS

RS-701 Electric SUPERFLEX WASHER

PAGE #8

EPL-RS701E-A

FREE STANDING

<i>Item no.</i>	<i>Req'd</i>	<i>Description</i>	<i>Part no.</i>	<i>Remarks</i>
106	2	Retainer Ring	53-300-10-CL	
107	2	RS701 Core Panel	54-610-00-MP	
108	30	2nd Envirossoft Foam Plate 60" Dia	21-600-00-*P	
109	66	2nd Envirossoft Foam Spacers	21-000-00-WP	
110	4	Jam Nut 1/2-13 S.S.	84-108-000-SIC	
111	16	2nd Envirossoft Foam Plate 54" Dia	21-540-00-*P	
112	2	3/8NPT-1/4TBE Fitting Swivel Elbow	90-224-00-PP	
113	4	HHCS 3/8-16X1 1/2" S.S.	82-606-024-SIC	
114	4	Oil Reservoir End Cap	56-730-02-BK	
115	4	O'ring 3"Dia.	90-450-02-PP	
116	4	O'ring 9/16"Dia.	90-450-01-PP	
117	2	Short Oil Reservoir Shaft	56-730-03-MP	
118	2	Short Oil Reservoir Tube Weldment	56-732-00-BK	
119	64	2nd Envirossoft Foam Plate 48" Dia	21-480-00-*P	
120	24	2nd Envirossoft Foam Plate 44" Dia	21-440-00-*P	
121	16	5/16-18 x 1" Btn Hd Screw S.S.	83-205-016-SIC	
122	16	1/4-20 x 3/4" Btn Hd Screw S.S.	83-204-012-SIC	
123	2	El. RS701 Vertical Arm	56-560-00-SG	
124	2	El. RS701 Mounting Bracket	56-560-20-SG	
125	2	El. RS701 Motor Adapter Plate	56-560-40-BK	
126	2	1/4" Air Tube Poly Clear 5"lg	33-361-20-4CL	
127	4	3/8NPT-1/4TBE Straight Fitting	90-230-07-PP	
128	2	3/8NPT-1/4NPT Reducing Bushing	90-214-04-PP	
129	2	1/4NPT-1/4TBE Straight Fitting	90-025-00-PP	
130	2	1/4" Street Elbow, Brass	90-212-06-PP	
131	2	Helical Geared El. Motor	70-700-10-PP	
132				
133	2	Hub Core Drive	53-301-00-MP	
134	2	Gearbox Retaining Bushing	56-560-50-MP	
135	2	1/2" Strain Relief	90-055-04-PP	
136				
137	2	8mm Square Key x 3"	53-710-07-MP	
138	2	SHCS 1/2-13 x 1 1/2" S.S.	82-708-024-SIC	
139	2	1/2" High Collar Lock Washer	81-208-000-SI	
140				

RS-701 Electric SUPERFLEX WASHER

PAGE #9

EPL-RS701E-A

FREE STANDING

Item no.	Req'd	Description	Part no.	Remarks
141	8	HHCS 1/2-13X1 1/2" S.S.	82-508-112-SIC	
142				
143	10	HHCS 1/2-13 x 2 1/4" S.S.	82-508-036-SIC	
144	12	SHCS M8 x 25 mm S.S.	82-808-025-SI	
145	8	HHCS 3/8-16 x 2 1/4" S.S.	82-506-036-SIC	

MACNEIL WASH SYSTEMS