

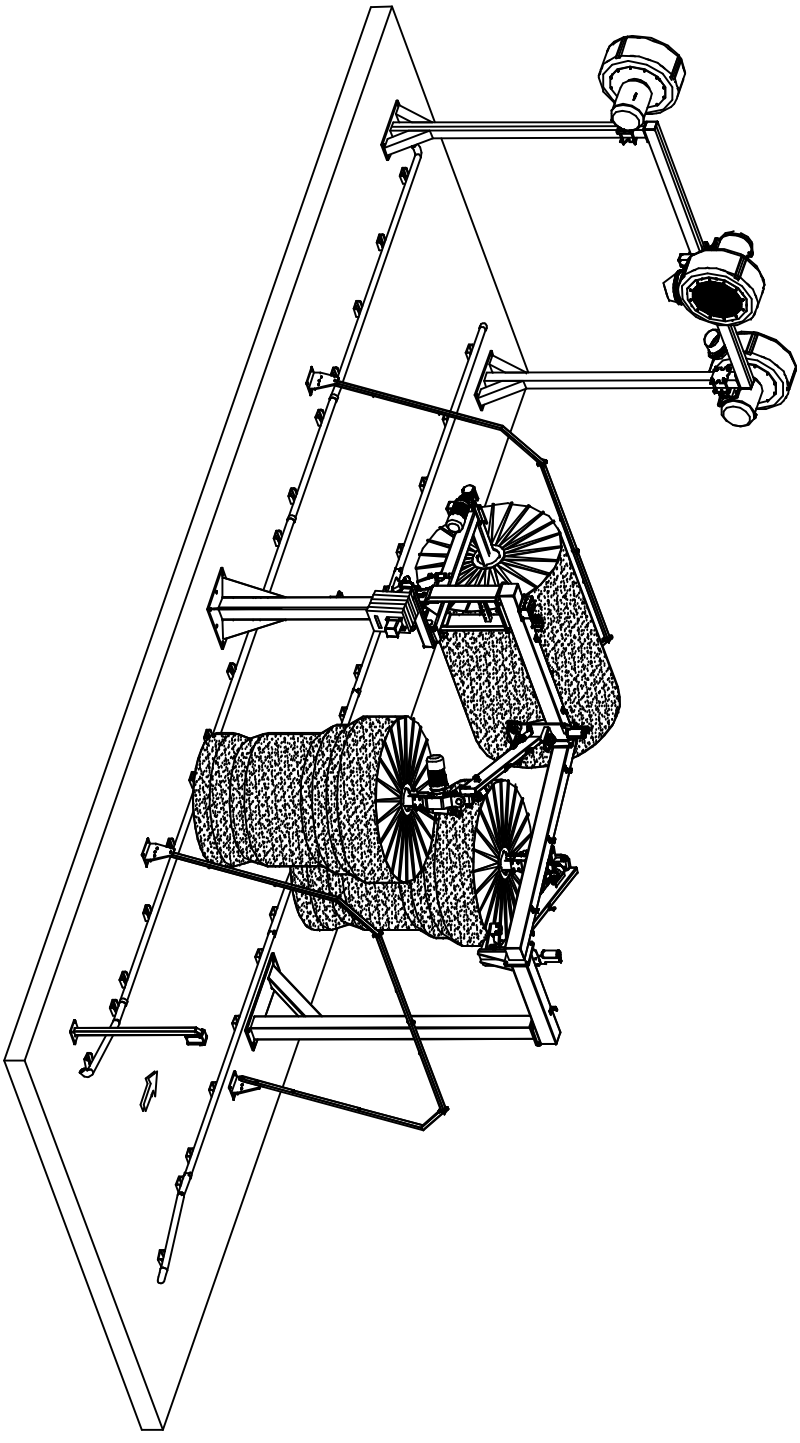
**EXPRESSLANE**



MAGNEIL WASH SYSTEMS

**EPL-RS680-DRIVETHRU**

# PARTS LIST

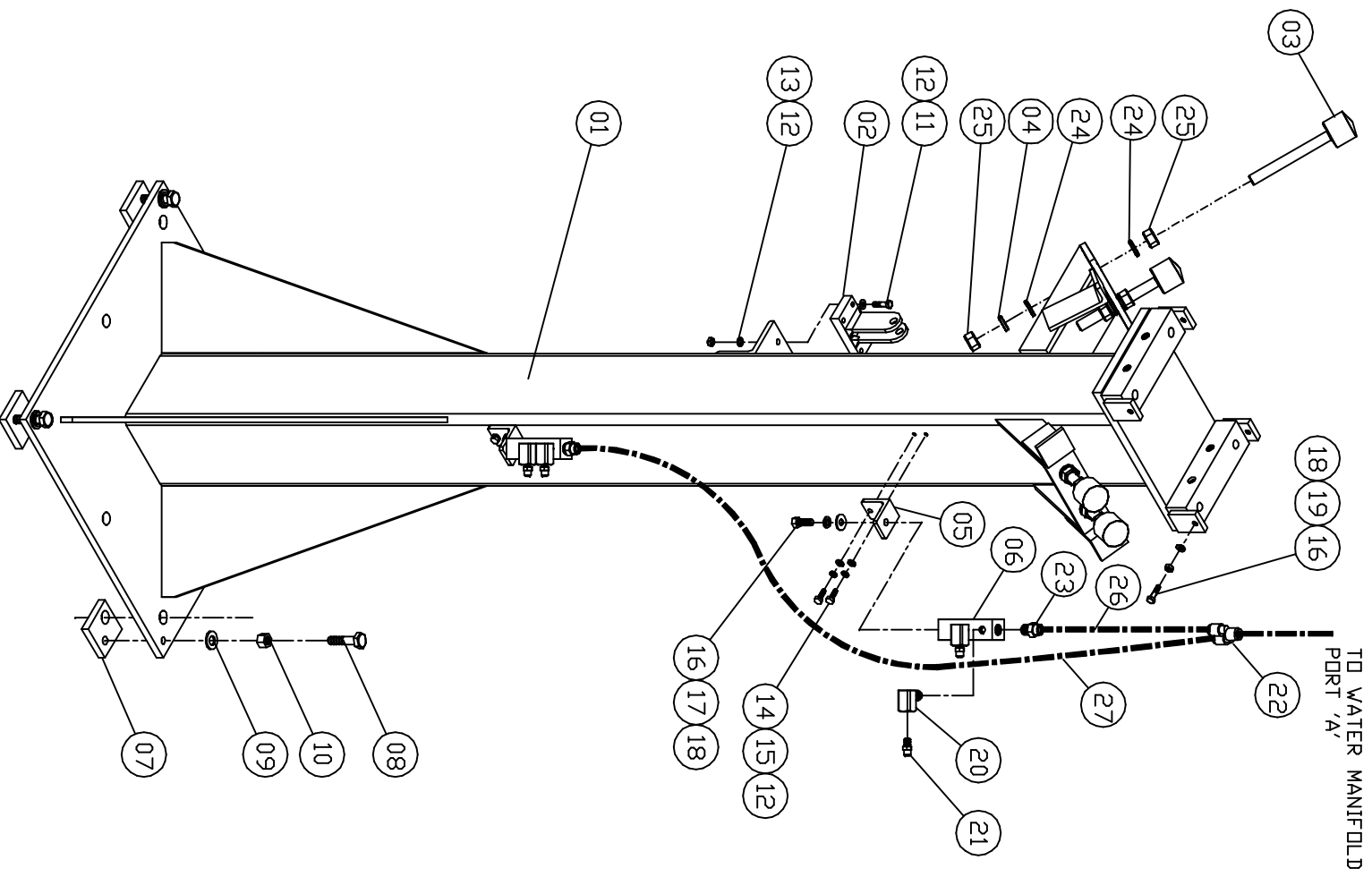


**MAGNEIL WASH SYS.**

**AUG 2005**

# EXPRESSLANE

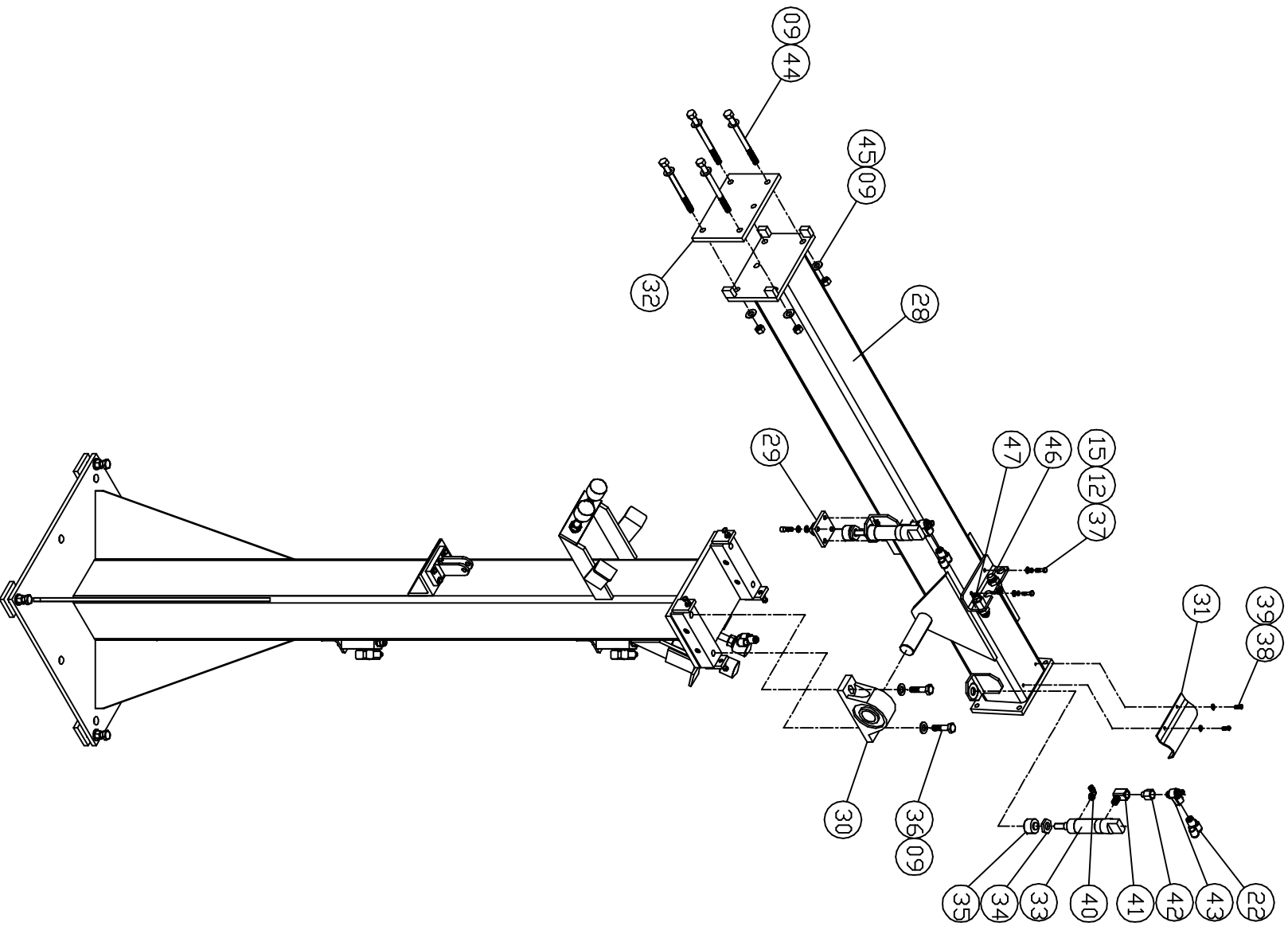
PAGE #1



**MACNEIL WASH SYSTEMS**

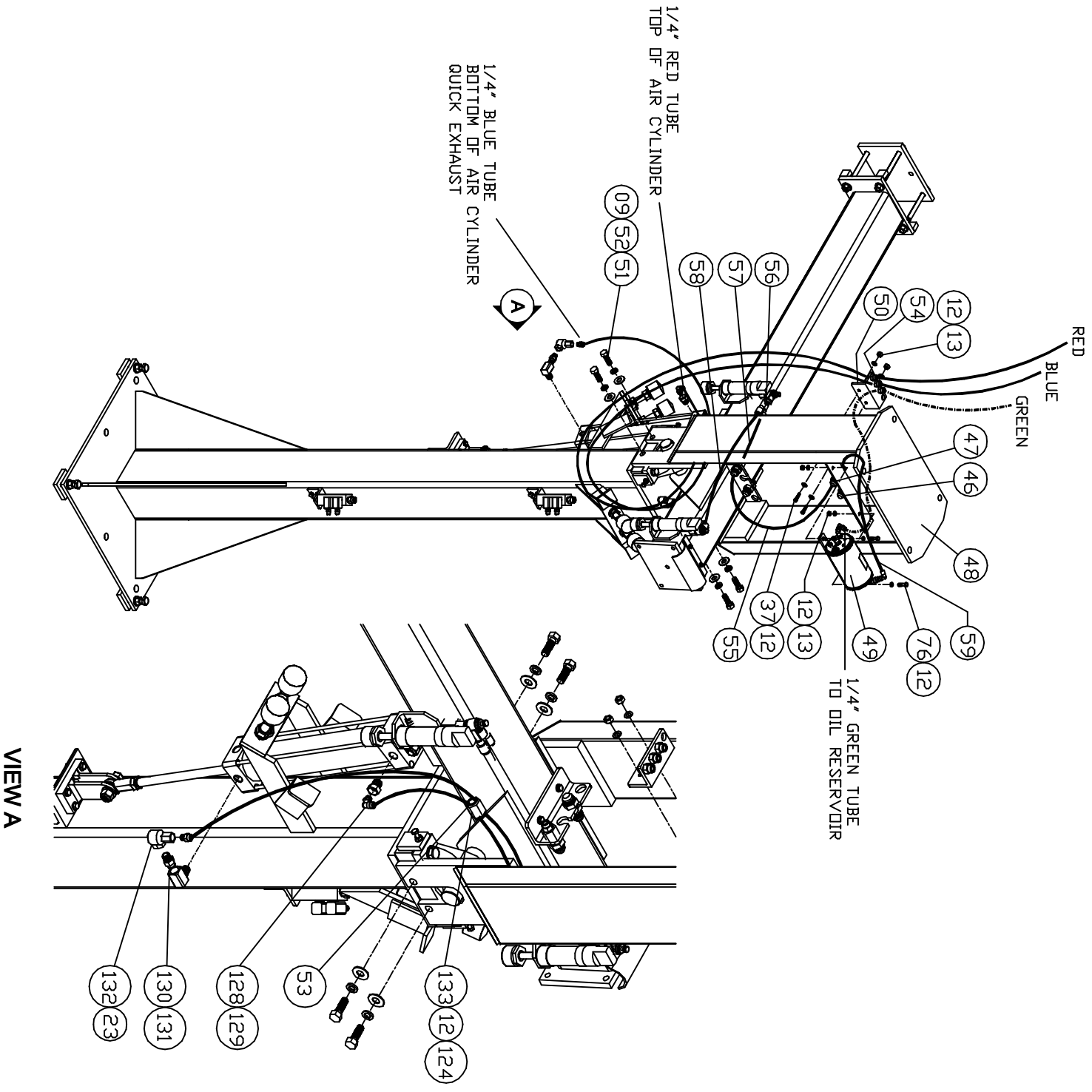
# EXPRESSLANE

PAGE #2



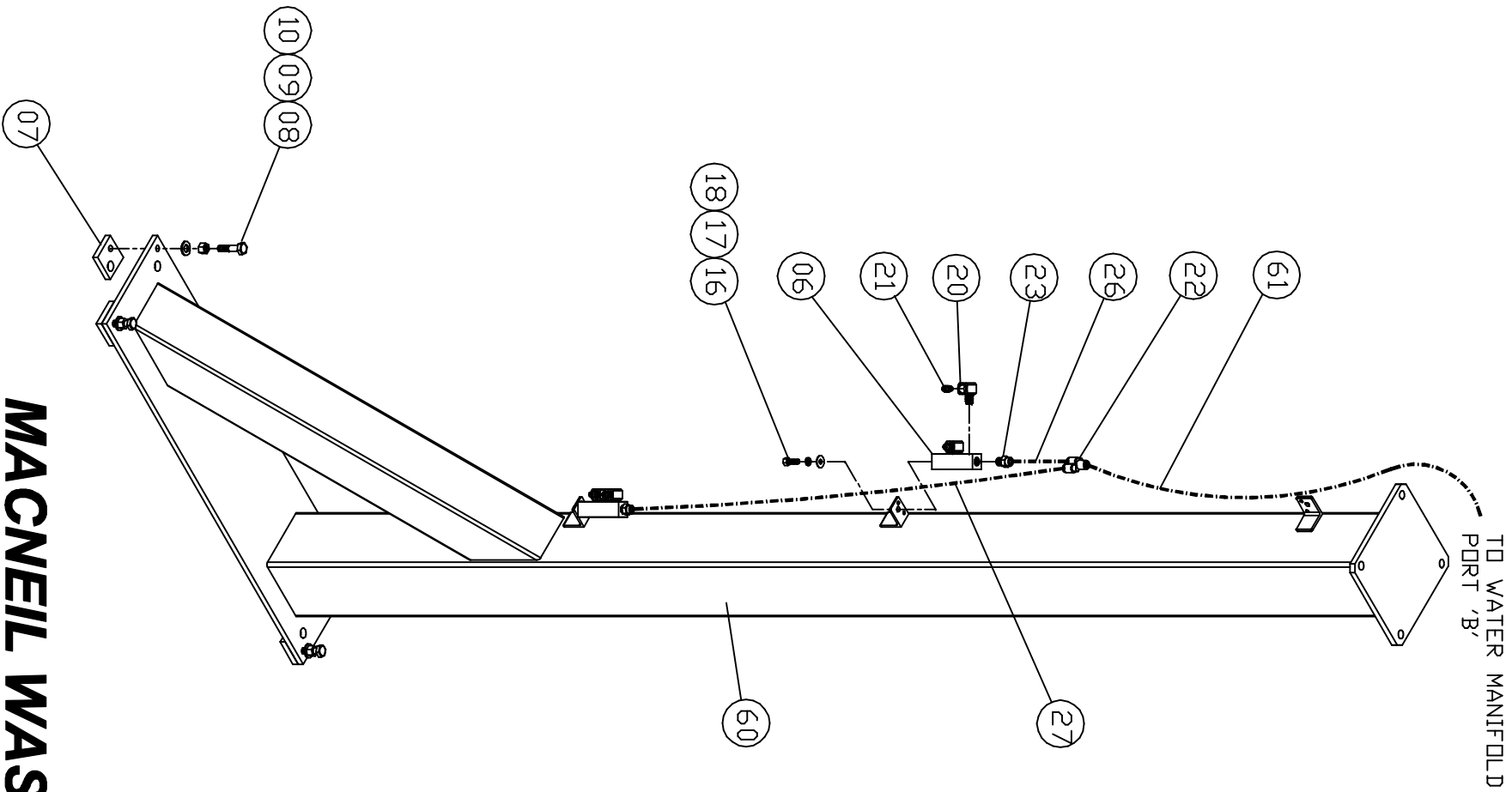
# MACNEIL WASH SYSTEMS

# EXPRESSLANE



# MACNEIL WASH SYSTEMS

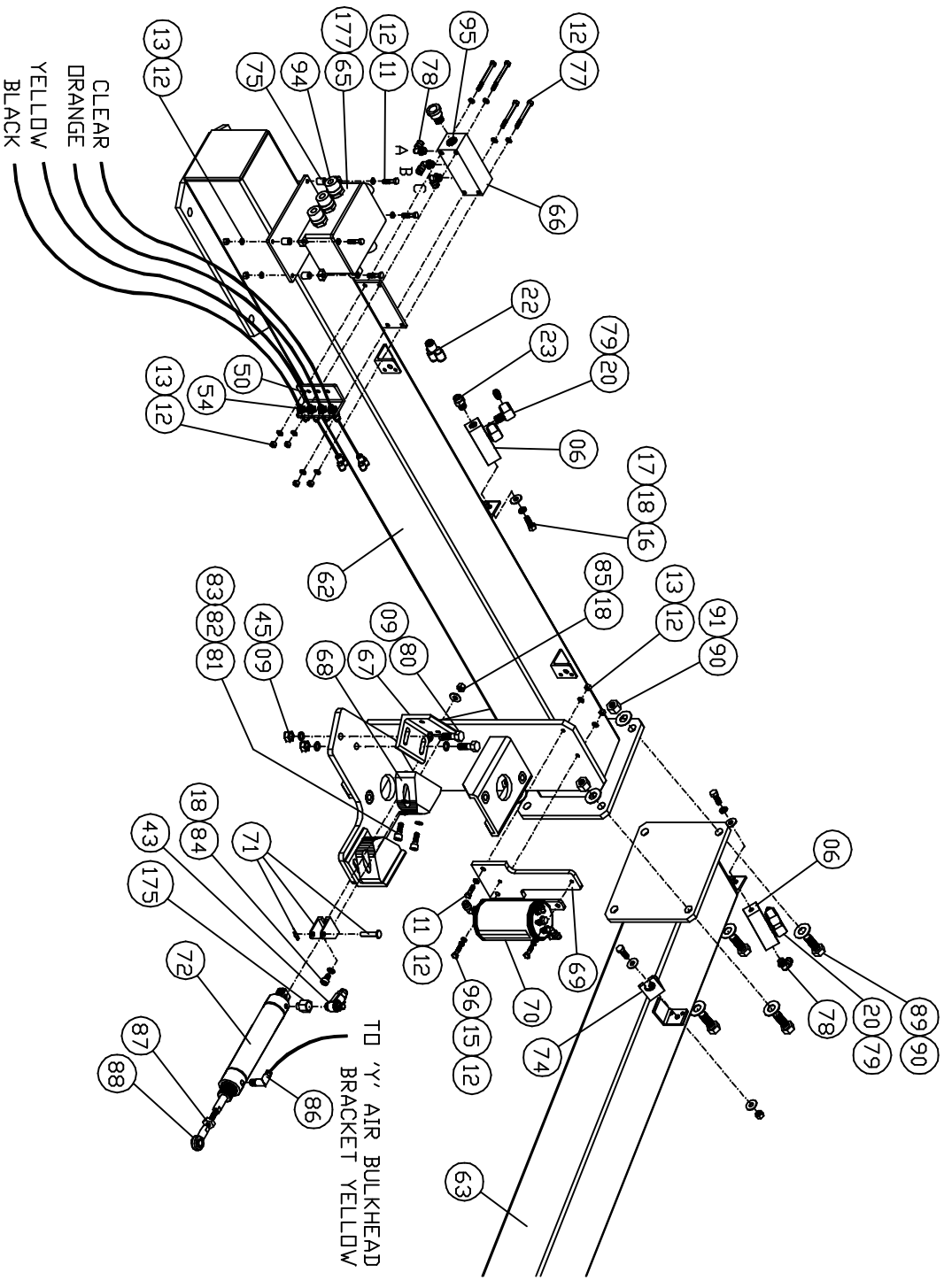
# EXPRESSLANE



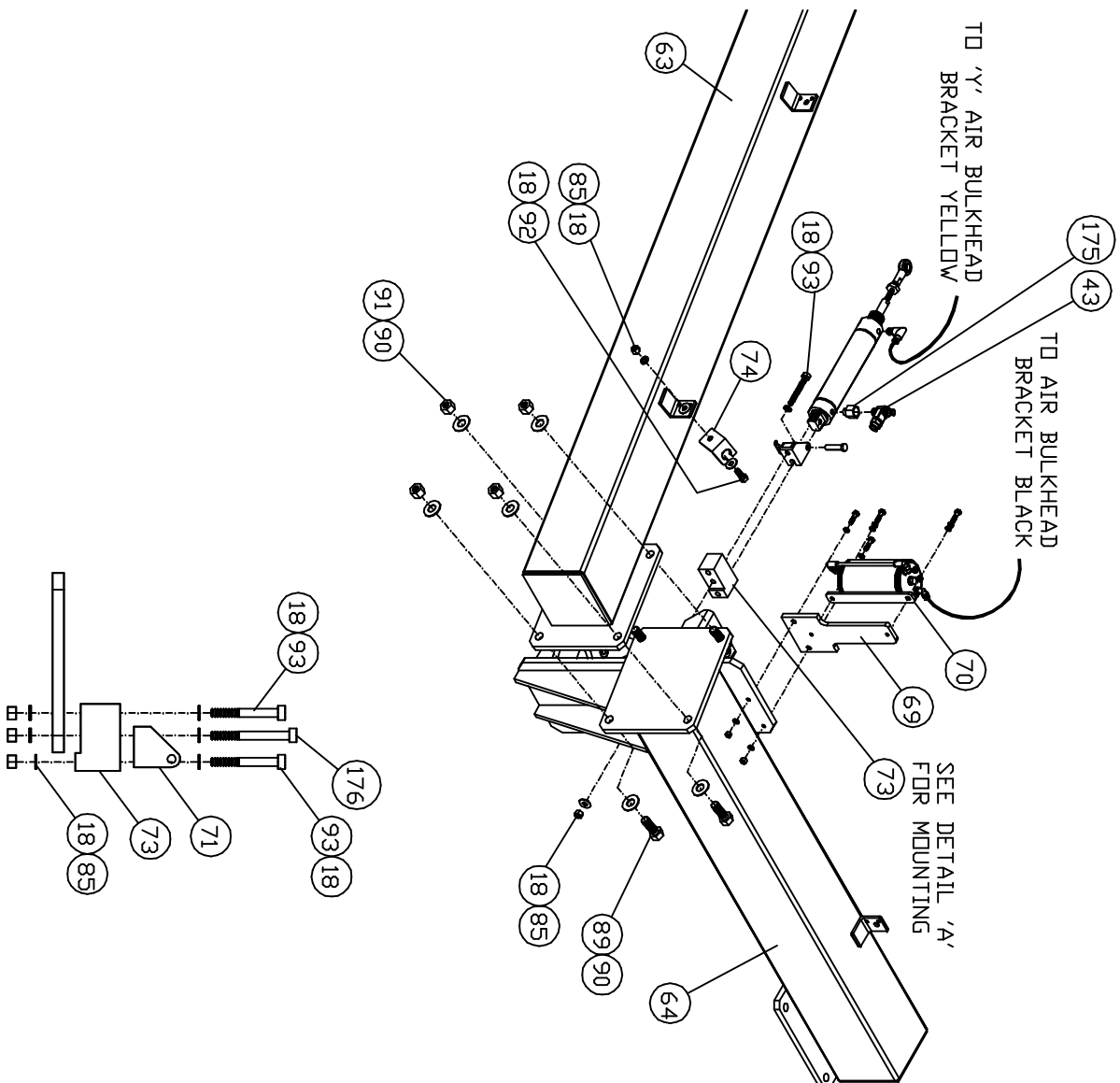
# MACNEIL WASH SYSTEMS

# EXPRESSLANE

PAGE #5



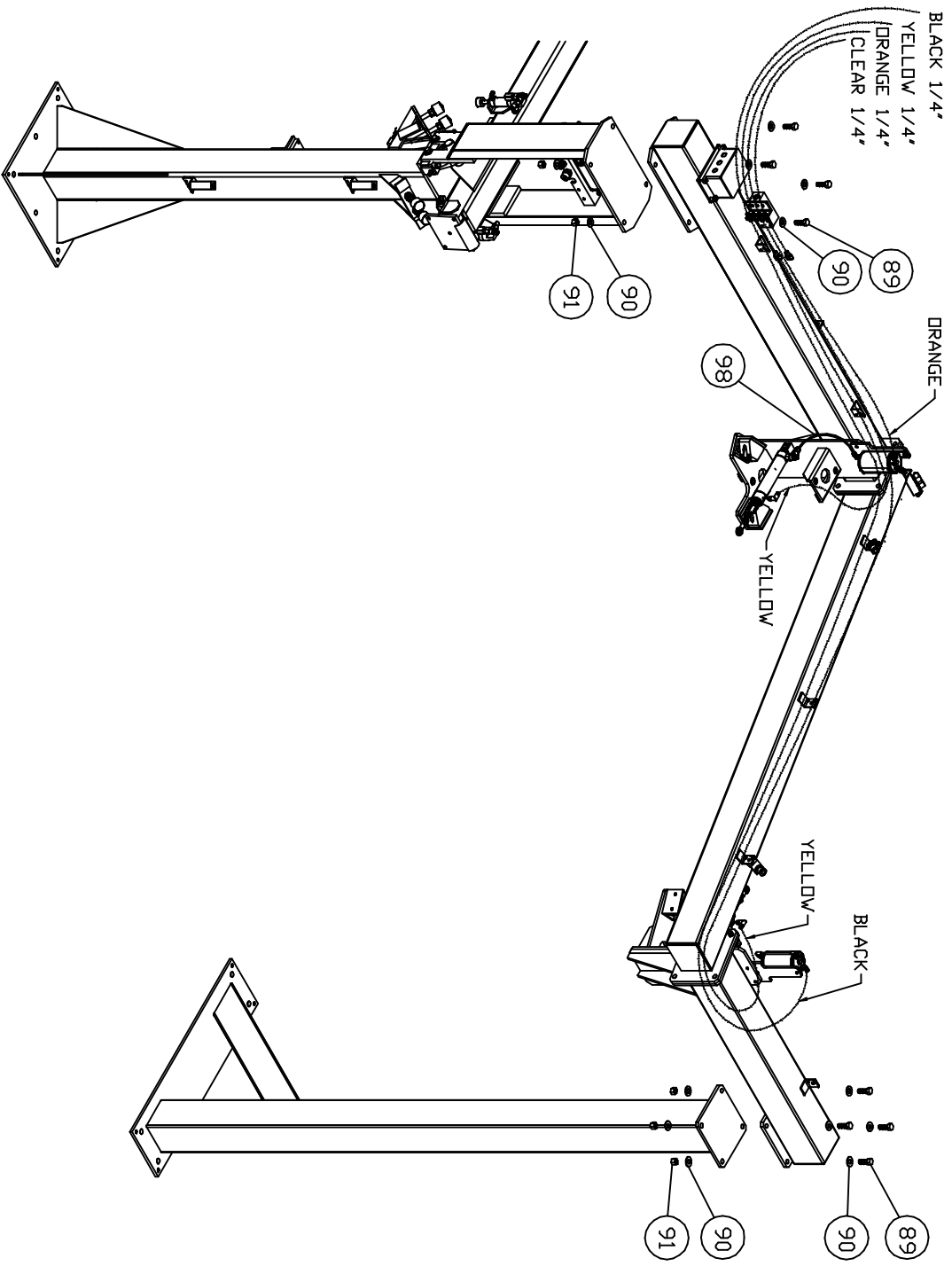
**MACNEIL WASH SYSTEMS**



DETAIL 'A'

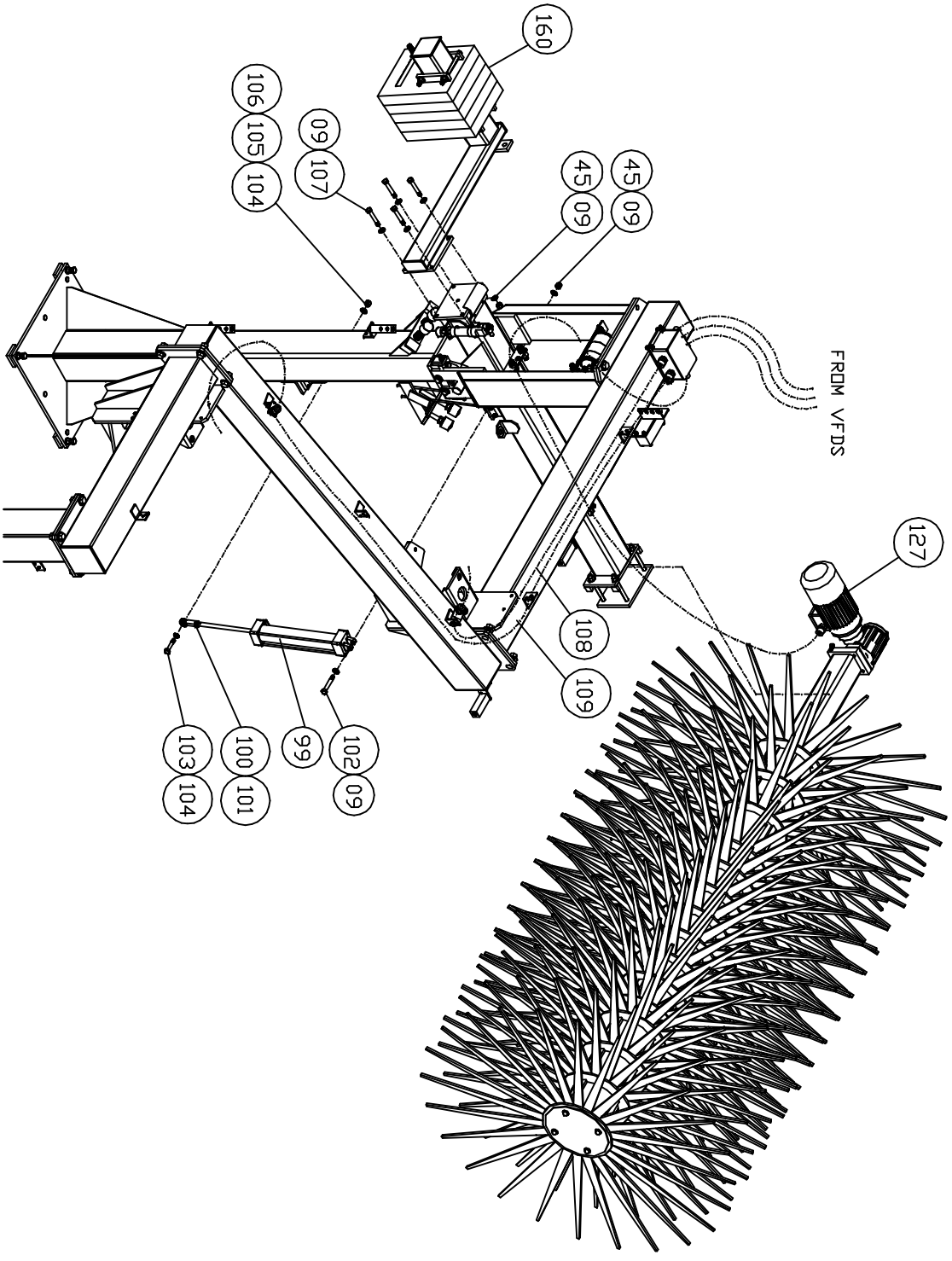
# EXPRESSLANE

PAGE #7



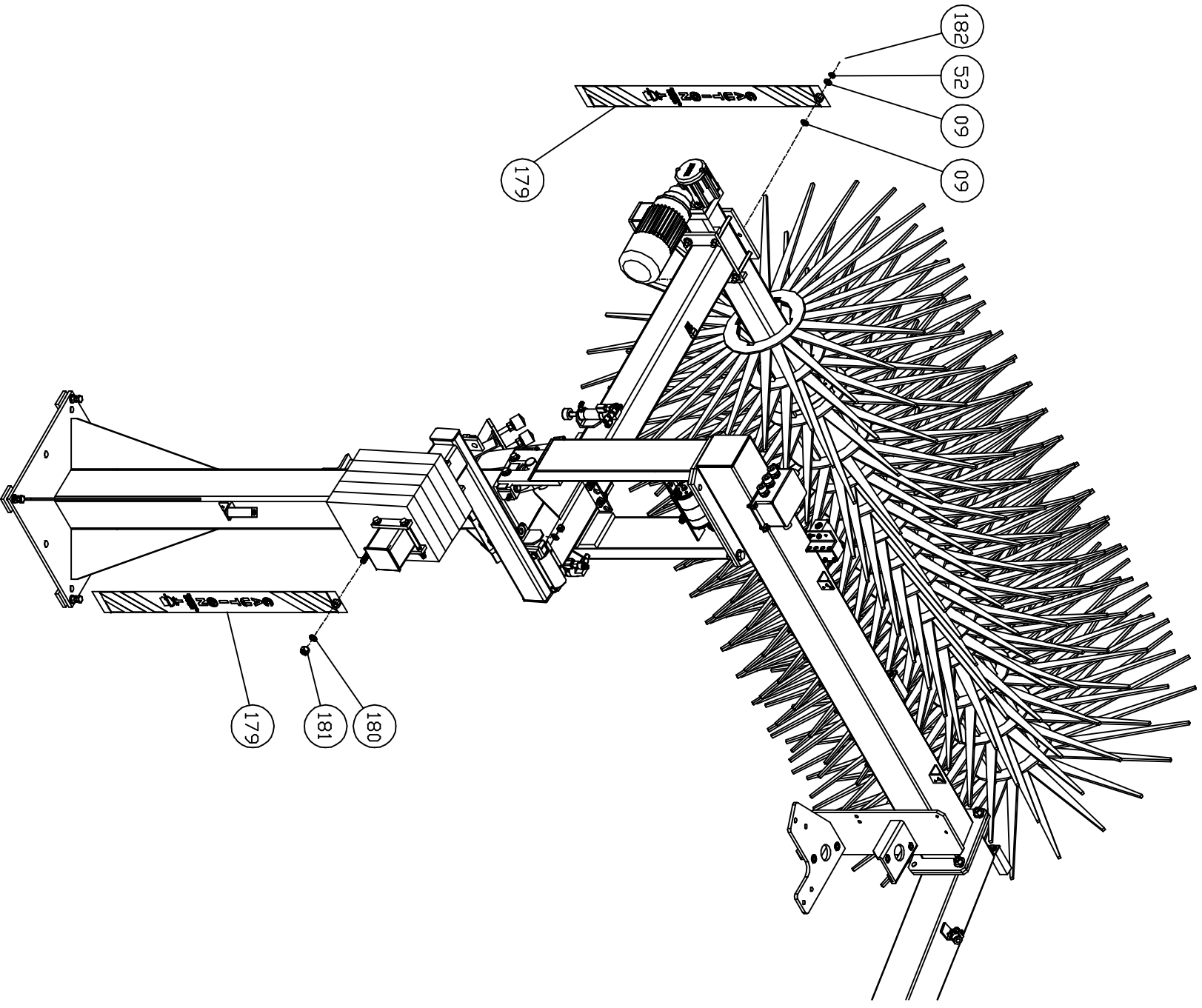
# MACNEIL WASH SYSTEMS

# EXPRESSLANE



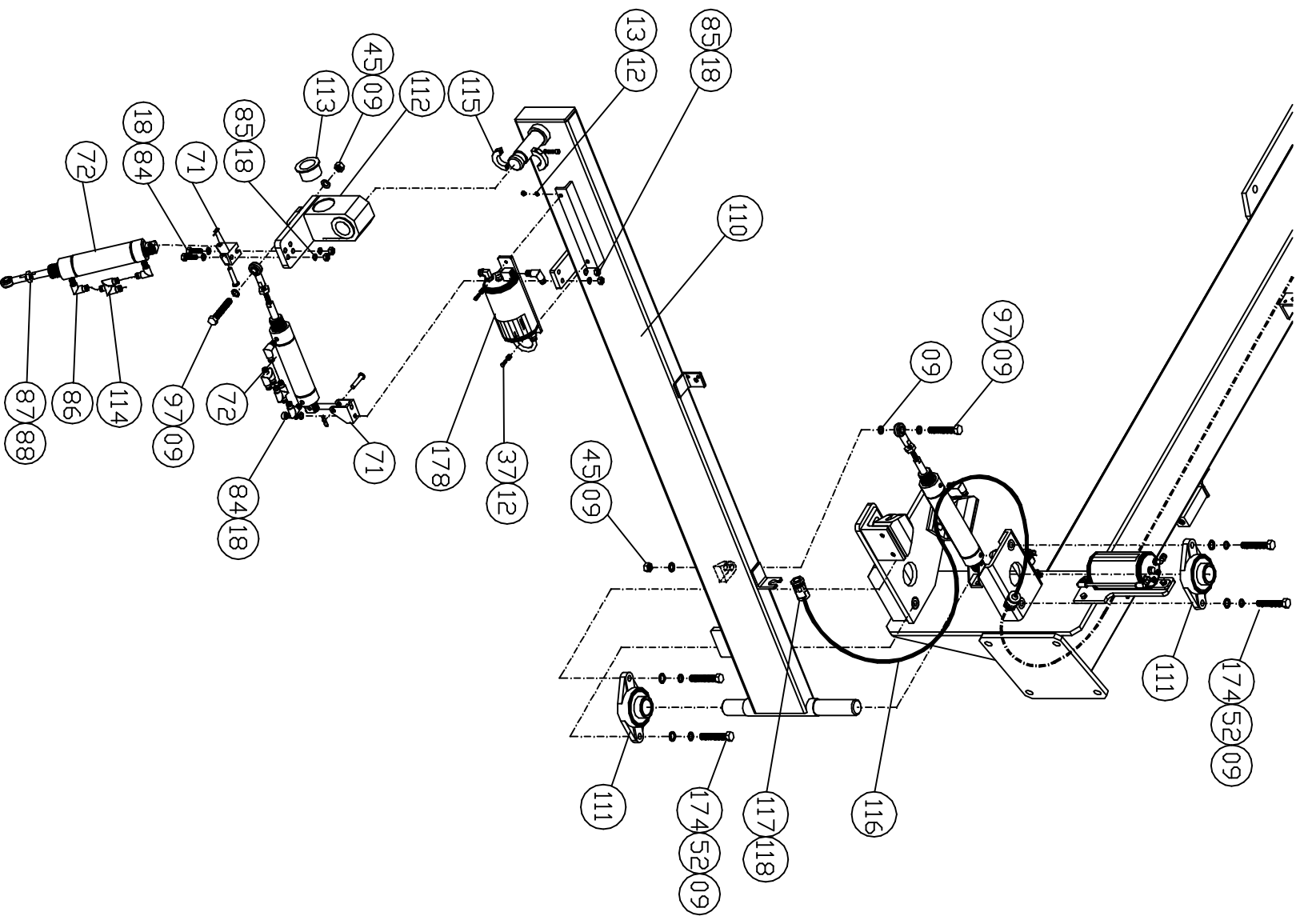
# EXPRESSLANE

PAGE #9



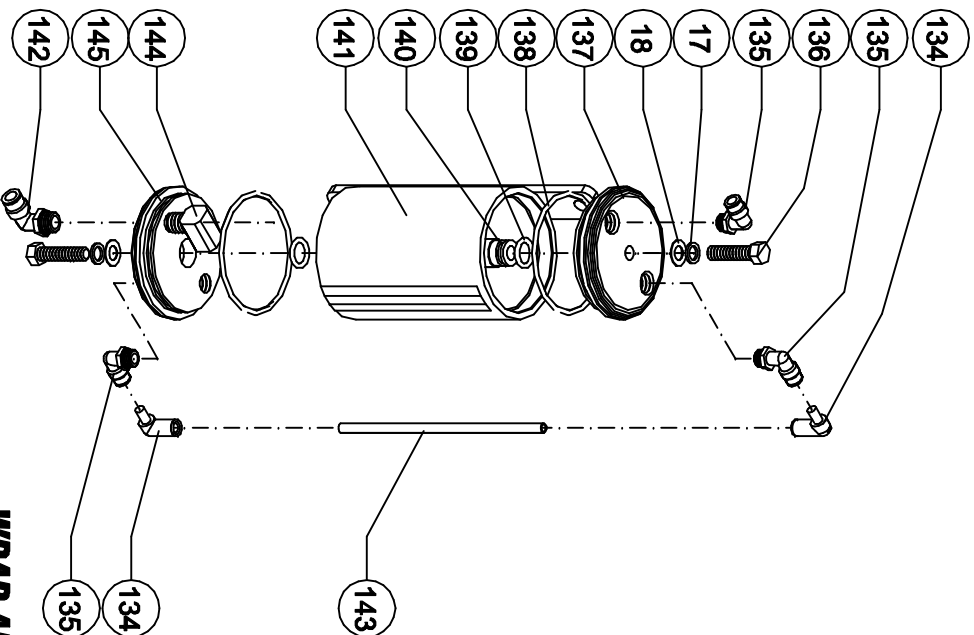
**MACNEIL WASH SYSTEMS**

# EXPRESSLANE

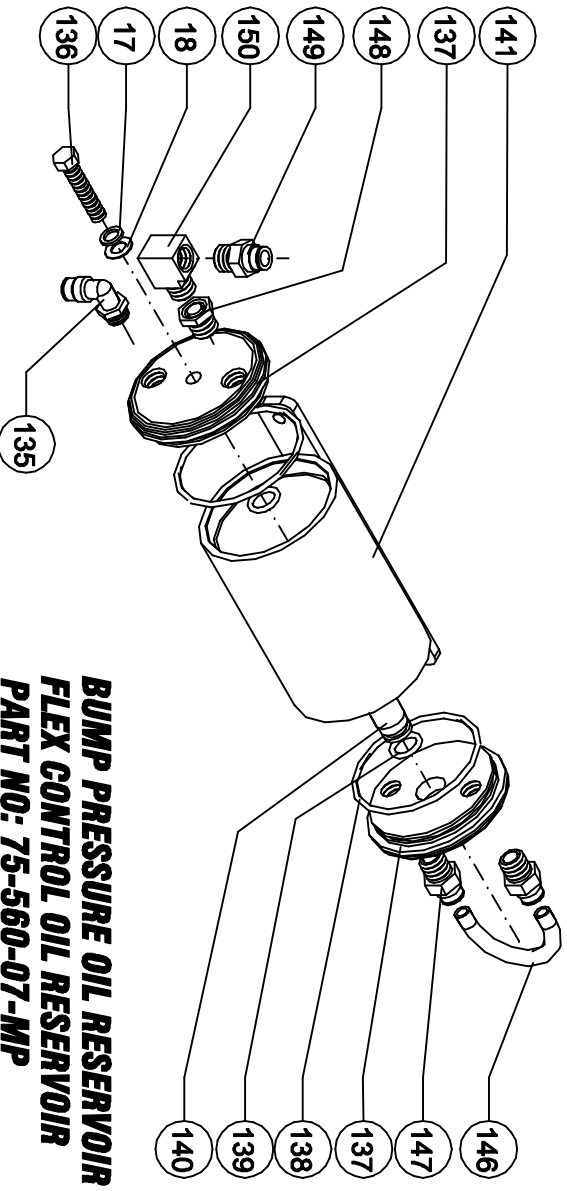




# EXPRESSLANE OIL RESERVOIRS



**WRAP ARM CONTROL OIL RESERVOIR  
PART NO: 75-560-05-MP**



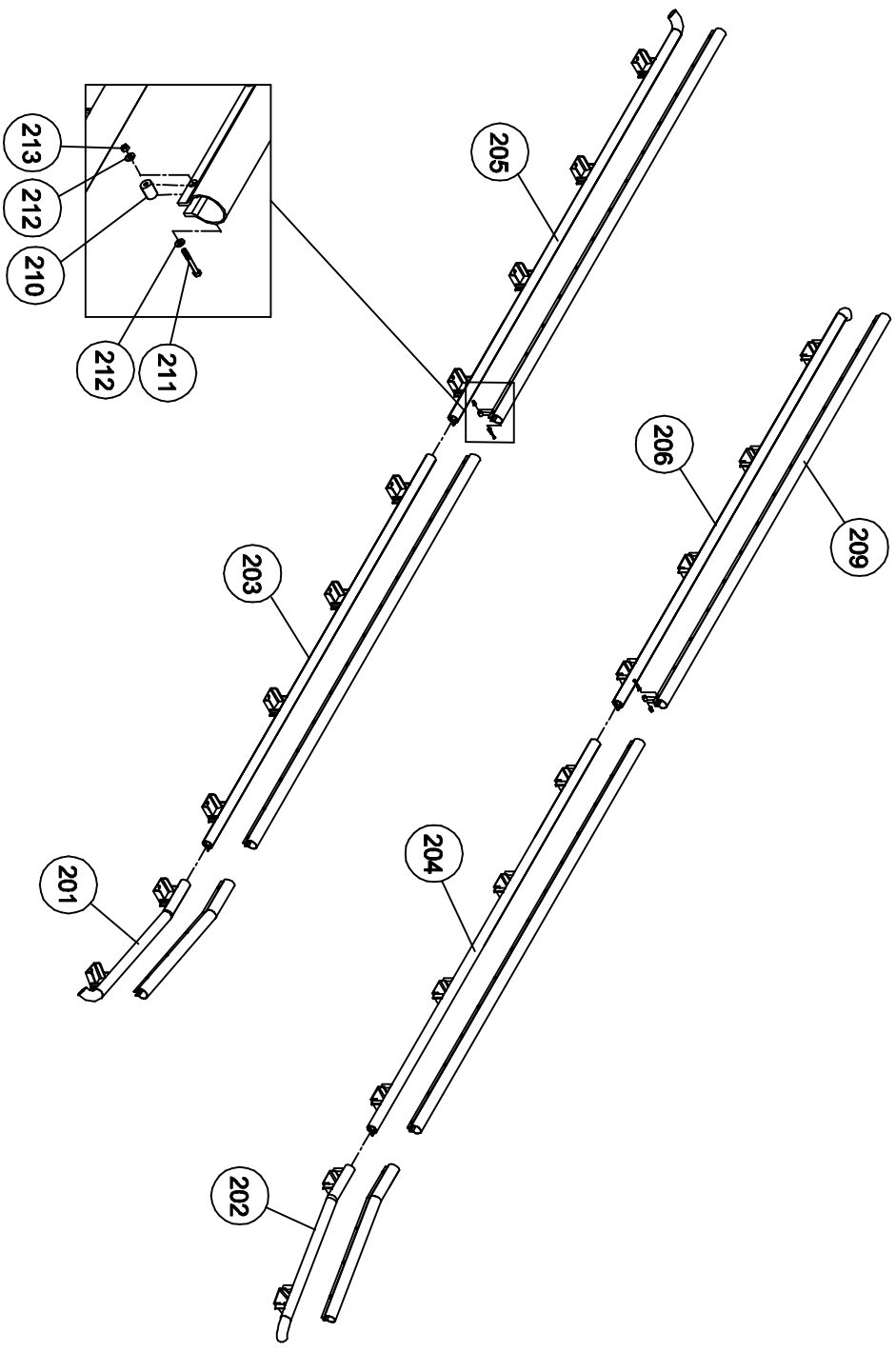
**BUMP PRESSURE OIL RESERVOIR  
FLEX CONTROL OIL RESERVOIR  
PART NO: 75-560-07-MP**

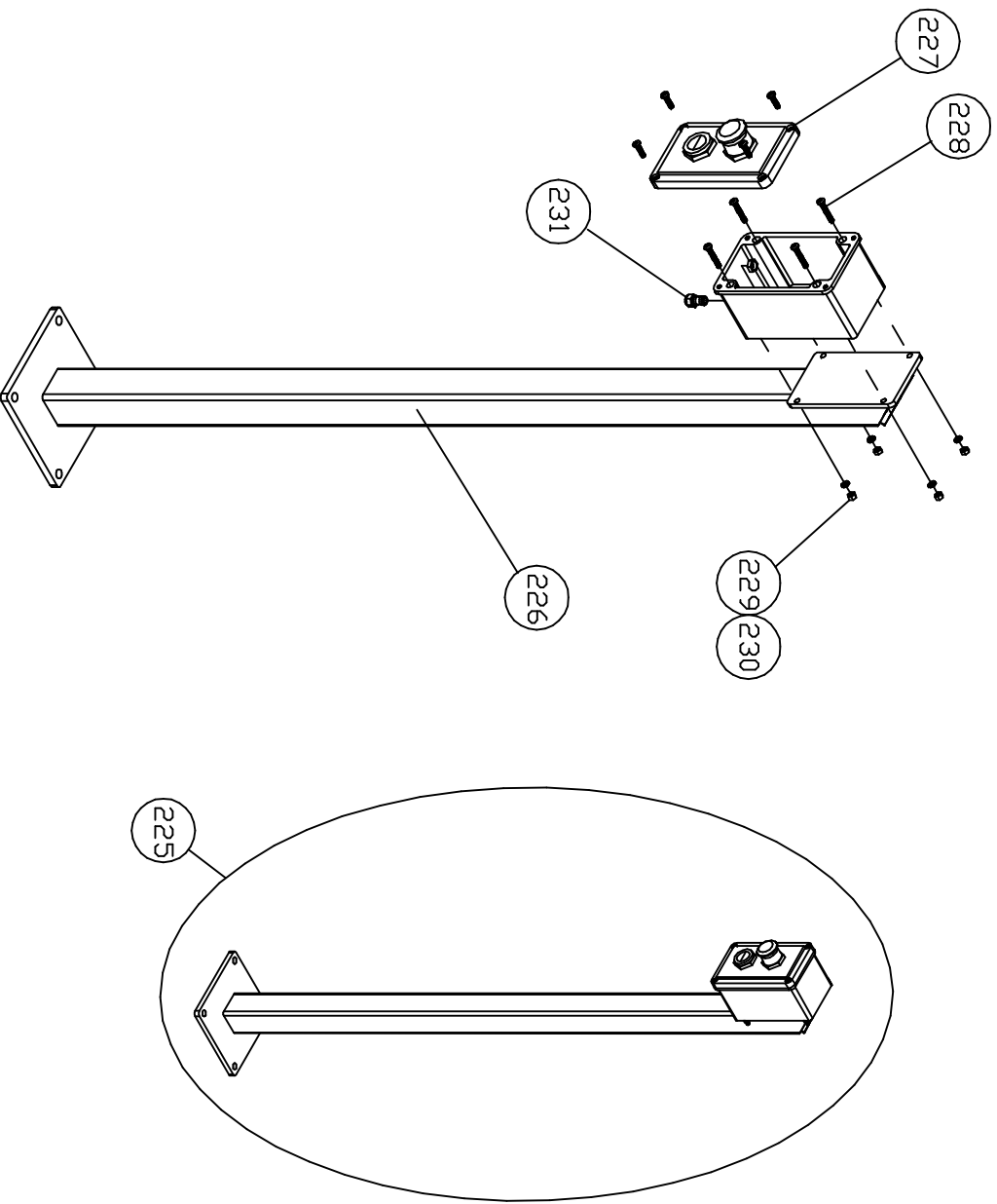
# MACNEIL WASH SYSTEMS



# EXPRESSLANE

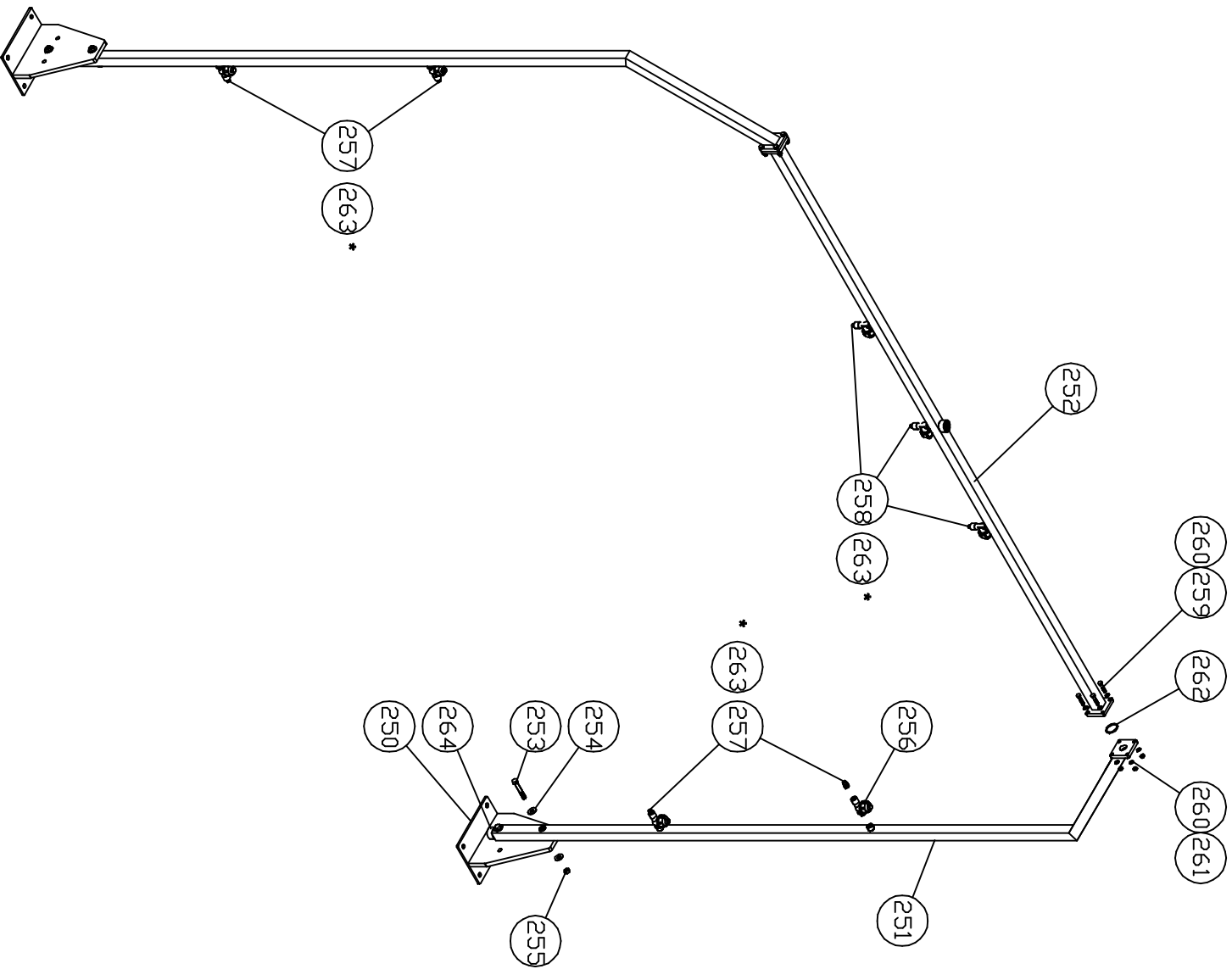
- 207 LEFT HAND GUIDE RAIL 5' (NOT SHOWN)
- 208 RIGHT HAND GUIDE RAIL 5' (NOT SHOWN)





# EXPRESSLANE

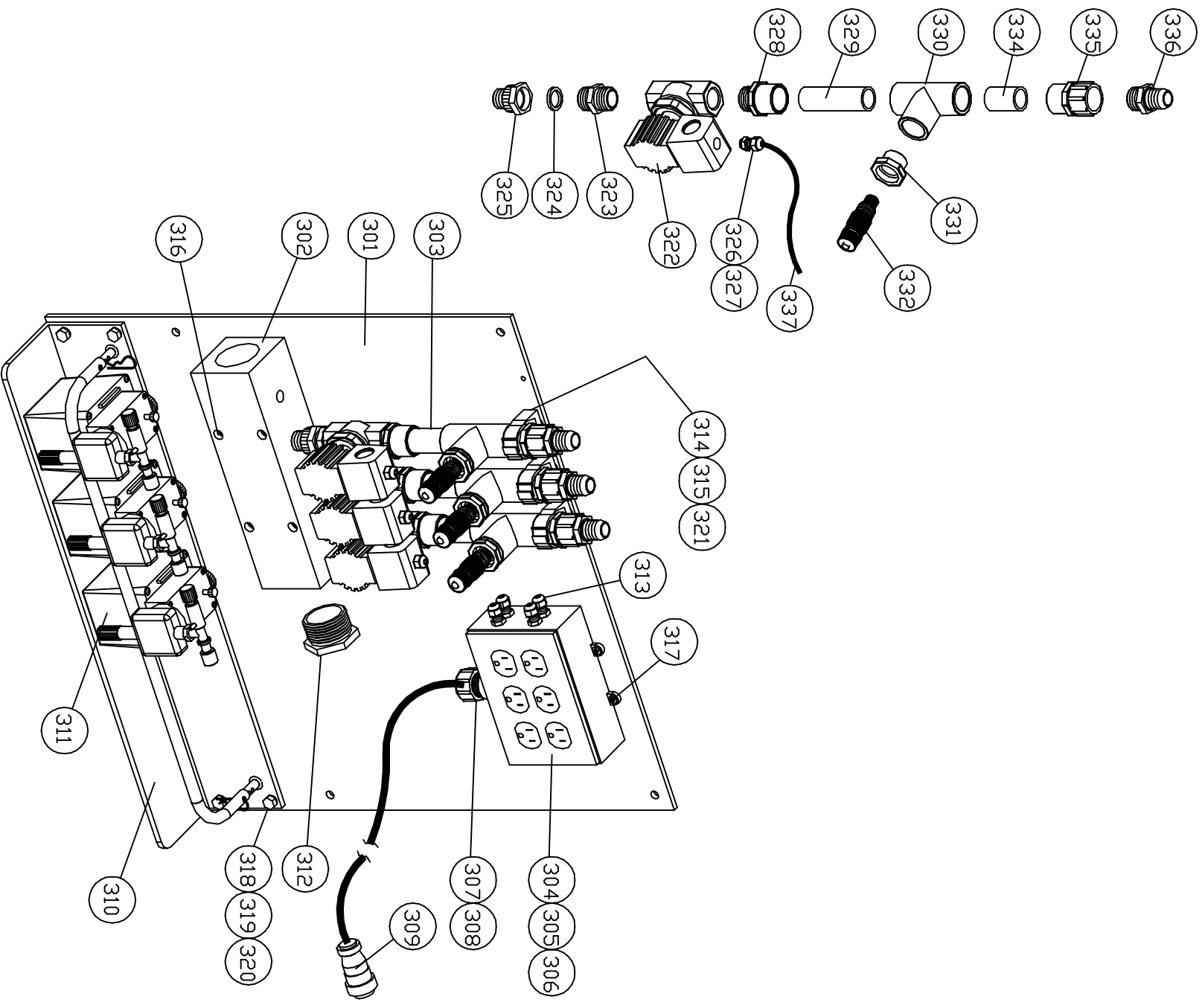
PAGE #16



\* NOZZLE TIP # 263 USED ON RINSE ARCH ONLY

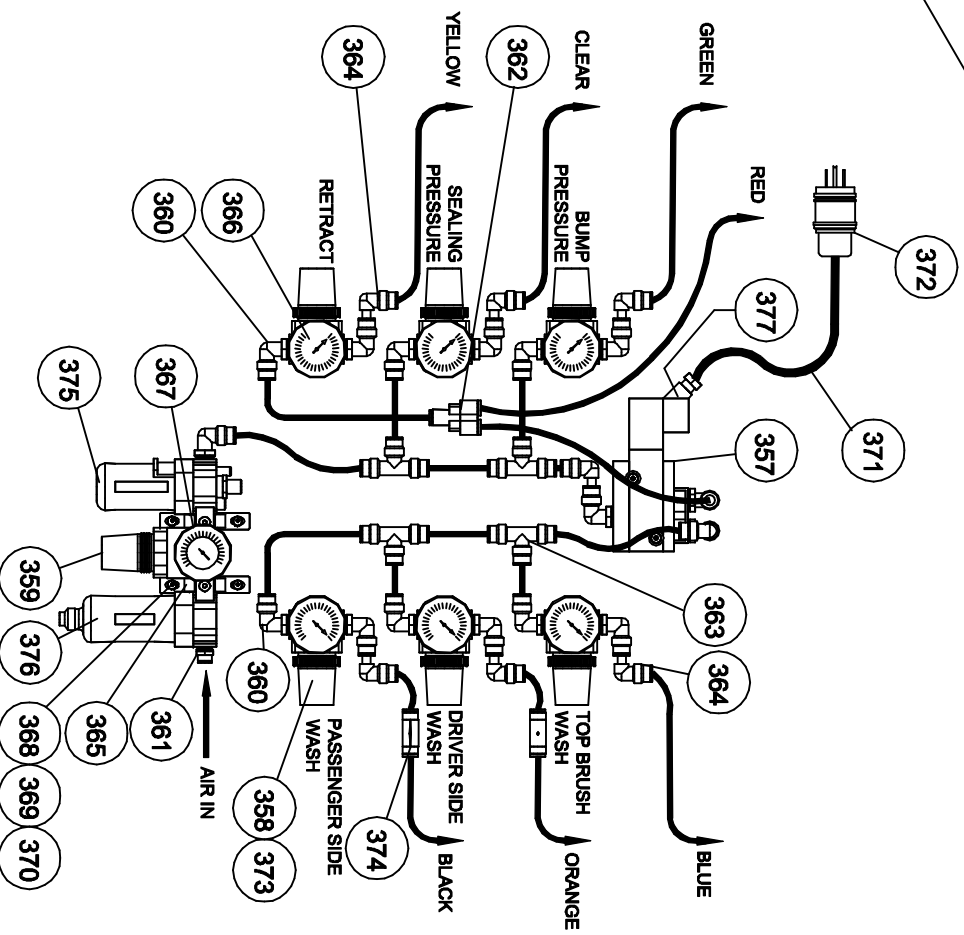
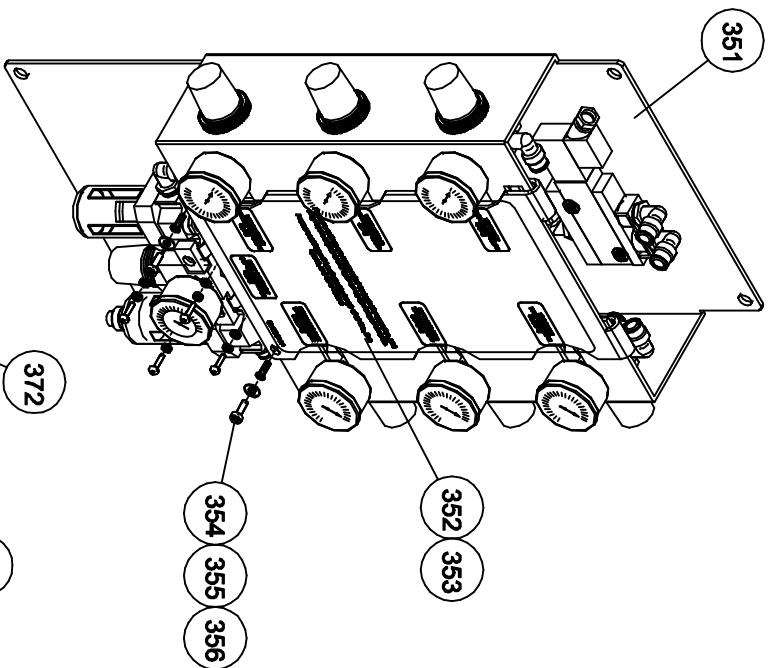
## MACNEIL WASH SYSTEMS

# EXPRESSLANE



**MACNEIL WASH SYSTEMS**

# EXPRESSLANE



**EXPRESSLANE**

<b>Item no.</b>	<b>Req'd</b>	<b>Description</b>	<b>Part no.</b>	<b>Remarks</b>
1	1	RS1000 Post	53-100-00-SG	
2	3	Cylinder Mounting Bracket	53-170-00-MP	
3	4	Bumper Stop	53-111-00-PP	
4	4	5/8" LockWasher SS	80-910-000-SI	
5	2	RS1000 Manifold Bracket	68-100-03-MP	
6	6	Spray Manifold	68-100-05-BK	
7	8	Post Levelling Pad	53-150-02-MP	
8	8	Post Levelling Screw	53-150-07-MP	
9	82	1/2" Flat Washer SS	80-208-000-SI	
10	8	1/2-13 Hex Nut SS	84-008-000-SIC	
11	12	HHCS 1/4-20 x 1 1/2" SS	82-504-024-SIC	
12	57	1/4" Flat Washer SS	80-204-000-SI	
13	20	1/4-20 Nylock Nut SS	85-004-000-SIC	
14	4	HHCS 1/4-20 x 1 1/4" SS	82-504-020-SIC	
15	18	1/4" Lock Washer SS	80-904-000-SI	
16	8	HHCS 3/8-16 x 1" SS	82-506-016-SIC	
17	16	3/8" Lock Washer SS	80-906-000-SI	
18	48	3/8" Flat Washer SS	80-106-000-SI	
19	4	3/8-16 Hex Nut SS	84-006-000-SIC	
20	12	1/4 NPT Elbow	90-212-06-PP	
21	9	Nozzle Tip 10E00	10-250-07-PP	
22	4	3/8" Y Fitting	90-253-06-PP	
23	6	3/8 NPT 3/8 Tube Fitting Connector	90-024-00-PP	
24	8	5/8" Flat Washer SS	80-110-000-SI	
25	8	5/8-11 Hex Nut SS	84-010-000-SIC	
26	2	3/8" Nylon Tube 2 1/2"	33-361-20-6CL	
27	2	3/8" Nylon Tube 33 1/2"	33-361-20-6CL	
28	1	Pivoting Arm SG	53-200-00-SG	
29	1	Eye Bracket SMC NCA1-P150	53-200-06-MP	
30	2	Pillow Block Bearing	90-191-01-PP	
31	1	Hydraulic Hose Shield	53-000-04-MP	
32	1	Clamp Plate	53-150-06-SG	
33	2	Air Cylinder	90-100-11-PP	
34	2	Jam Nut 3/4-16	84-112-000-SIF	
35	2	Call up Bumper	44-596-00-MP	
36	4	HHCS 1/2-13 x 4" SS	82-508-064-SIC	
37	8	HHCS 1/4-20 x 1" SS	82-504-016-SIC	

**EXPRESSLANE**

<b>Item no.</b>	<b>Req'd</b>	<b>Description</b>	<b>Part no.</b>	<b>Remarks</b>
38	2	#10-24 x 1/2" Pan Head Screw SS	83-510-008-SNC	
39	2	#10 Flat Washer SS	80-110-000-SN	
40	2	Fitting Swivel Elbow	90-223-02-PP	
41	2	Fitting Elbow	90-211-02-PP	
42	2	Fitting Reducer	95-306-06-PP	
43	4	Flow Control Valve	90-143-02-PP	
44	4	HHCS 1/2-13 x 6" SS	82-508-096-SIC	
45	23	1/2-13 Nylock Nut SS	85-008-000-SIC	
46	2	Hydraulic Bulkhead Ftg 2041-8-8S	95-311-10-PP	
47	2	Hydraulic Bulkhead Ftg 239-6-8S	95-311-09-PP	
48	1	Drive Thru LH Upper Post	68-001-00-SG	
49	3	Oil Reservoir Assembly	75-560-07-MP	
50	2	Air Bulkhead Bracket	53-000-02-BK	
51	12	HHCS 1/2-13 x 1 3/4" SS	82-508-028-SIC	
52	13	1/2" Lock Washer SS	80-908-000-SI	
53	1	Tube Sleeve Sch 80 Pipe x 1 1/2" long	53-002-01-MP	
54	7	1/4" Air Bulkhead Fitting	90-005-01-PP	
55	1	Hydraulic Hose Assembly	95-641-00-PP	
56	1	3/8" Nylon Tube 1 1/2"	33-361-20-6CL	
57	1	3/8" Nylon Tube 5 3/4"	33-361-20-6CL	
58	1	3/8" Nylon Tube 16 1/4"	33-361-20-6CL	
59	1	3/8" Nylon Tube 18"	33-361-20-6CL	
60	1	Drive Thru RH Post	68-005-00-SG	
61	1	3/8" Nylon Tube	33-361-20-6CL	
62	1	Left Hand Bridge	68-002-00-SG	
63	1	Intermediate Bridge	68-003-00-SG	
64	1	Right Hand Bridge	68-004-00-SG	
65	1	Drive Thru Junction Box	68-100-01-MP	
66	1	Drive Thru Water Manifold	68-100-04-BK	
67	4	Bumper Stop Bracket	56-360-00-BK	
68	4	Bumper Stop	56-810-00-PP	
69	2	Oil Reservoir Mounting Bracket	56-743-00-BK	
70	2	Oil Reservoir Kit 6"	75-560-05-MP	
71	6	Pivot Bracket BP-19C (Brkt, Pin, Key)	90-174-00-PP	
72	6	Air Cylinder 2" Diameter 4" Stroke	90-100-07-PP	
73	1	Wrap Arm Offset Block	68-006-09-BK	
74	2	Cable Bracket	68-100-02-BK	

**EXPRESSLANE**

<b>Item no.</b>	<b>Req'd</b>	<b>Description</b>	<b>Part no.</b>	<b>Remarks</b>
75	4	Spacer 1/2" Diameter x 5/8" Long Nylon	89-008-010-NI	
76	2	HHCS 1/4-20 x 1 3/4" SS	82-504-028-SIC	
77	4	HHCS 1/4-20 x 3" SS	82-504-048-SIC	
78	4	Elbow Swivel Ftg 3/8 NPT 3/8 Tube	90-225-00-PP	
79	4	Nozzle Tip 10E15	10-250-08-PP	
80	8	HHCS 1/2-13 x 2" SS	82-508-032-SIC	
81	8	SHCS 3/8-16 x 1 1/4" SS	82-706-020-SIC	
82	8	Lock Washer High Collar 3/8" SS	81-206-000-SI	
83	8	Flat Washer 3/8" Small O.D. SS	80-306-000-SI	
84	10	SHCS 3/8-16 x 1 1/2" SS	82-706-024-SIC	
85	16	Nylock Nut 3/8-16 SS	85-006-000-SIC	
86	10	Swivel Elbow 1/4" NPT 1/4 Tube	90-223-06-PP	
87	6	Jam Nut 1/2"-20 SS	84-108-000-SIF	
88	6	Rod End 1/2" Female	90-151-02-PP	
89	16	HHCS 5/8-11 x 2 1/2" SS	82-510-040-SIC	
90	32	Flat Washer 5/8" x .125" THICK SS	80-110-001-SI	
91	16	Nylock Nut 5/8"-11 SS	85-009-000-SIC	
92	2	HHCS 3/8"-16 x 1 1/4" SS	82-506-020-SIC	
93	3	SHCS 3/8-16 x 3" SS	82-706-048-SIC	
94	6	Strain Relief 1/2" NPT	90-055-04-PP	
95	1	Garden Hose Fitting 3/4NPT 3/4FGH	90-026-06-PP	
96	4	HHCS 1/4-20 x 3/4" S.S.	82-504-012-SIC	
97	6	Full Thread HHCS 1/2-13 x 2 1/2" SS	82-608-040-SIC	
98	2	3/8" Nylon Tube 18 1/2"	33-361-20-6CL	
99	1	Air Cylinder B150-1400 C/W NCA1-D15	90-100-13-PP	
100	1	Jam Nut 7/16-20	84-007-000-SIF	
101	1	Rod End 7/16" Female	90-151-04-PP	
102	7	HHCS 1/2-13 x 2 1/2" SS	82-508-040-SIC	
103	1	HHCS 7/16-20 x 2" SS	82-507-032-SIF	
104	2	Flat Washer 7/16" SS	80-207-000-SI	
105	1	Lock Washer 7/16" SS	80-907-000-SI	
106	1	Hex Nut 7/16-20 SS	84-007-000-SIF	
107	4	HHCS 1/2-13 x 2" SS	82-508-032-SIC	
108	1	14/4 Electric Wire (LH Wrap) 190"	33-600-40-5BK	
109	1	14/4 Electric Wire (RH Wrap) 246"	33-600-40-5BK	
110	2	Drive Thru Wrap Arm	68-006-00-SG	

**EXPRESSLANE**

<b>Item no.</b>	<b>Req'd</b>	<b>Description</b>	<b>Part no.</b>	<b>Remarks</b>
111	4	Flange Bearing 1 1/2" SS	90-190-00-PP	
112	2	Pivot Head Universal	56-010-00-BK	
113	8	Bushing Pivot Head	56-080-00-MP	
114	6	Y Fitting 1/4" Tube	90-253-04-PP	
115	4	Collar 1-1/4" Dia Dbl Split w/ SS Hdw Zncpltd	56-071-00-MP	
116	2	PMA Conduit PCLT-17B 27 1/2"	90-068-01-PP	
117	6	PMA Connector BVND-N027GT	90-068-02-PP	
118	6	1/2 NPT BK Nylon Locknut	84-008-000-NIN	
119	2	Electric RS701 Vertical Arm	56-550-00-MP	
120	2	RS701 Foam Brush	21-900-54-*P	
121	2	RS701 Core / Hub Assembly	56-950-00-MP	
122	6	HHCS 1/2-13 x 2 1/4" SS	82-508-036-SIC	
123	6	Lock Washer 1/2" SS	80-908-000-SI	
124	9	Button Head Screw 1/4-20 x 3/4" SS	83-204-012-SIC	
125	2	Retainer Guard Disc	53-300-11-CL	
126	2	PMA Conduit PCLT-17B 23"	90-068-01-PP	
127	1	Drive Thru Electric Top Brush	53-710-10-MP	
128	1	Bushing Reducer 3/8 MNPT - 1/4 FNPT	90-214-04-PP	
129	1	Fitting Elbow 1/4 NPT - 1/4 Tube	44-158-00-PP	
130	1	Fitting Elbow Reducer 1/4-3/8 NPT	95-316-06-PP	
131	1	Valve Quick Exhaust SQE2	90-142-03-PP	
132	1	Valve Flow Control JSC 1/4-N2VA	90-140-01-PP	
133	1	Clamp Water Pipe – Clic #20	90-259-01-PP	
134	4	1/4" Fitting Elbow Tube, Socket	90-222-00-PP	
135	9	3/8NPT-1/4TBE Fitting Swivel Elbow	90-224-00-PP	
136	10	HHCS 3/8-16 x 1 1/2" SS	82-606-024-SIC	
137	8	Oil Reservoir End Cap	56-730-02-BK	
138	10	O'ring 3" Dia.	90-450-02-PP	
139	10	O'ring 9/16" Dia.	90-450-01-PP	
140	5	Short Oil Reservoir Shaft	56-730-03-MP	
141	5	Short Oil Reservoir Tube Weldment	56-732-00-BK	
142	2	3/8NPT-3/8TBE Fitting Swivel Elbow	90-225-00-PP	
143	2	1/4" Air Tube Poly Clear 8" lg	33-361-20-4CL	
144	2	3/8" Fitting Elbow Machined	95-258-00-MP	
145	2	Oil Reservoir End Cap 2-way NPT	15-730-01-MP	
146	2	1/4" Air Tube Poly Clear 5" lg	33-361-20-4CL	

**EXPRESSLANE**

<b>Item no.</b>	<b>Req'd</b>	<b>Description</b>	<b>Part no.</b>	<b>Remarks</b>
147	4	3/8NPT-1/4TBE Straight Fitting	90-230-07-PP	
148	2	3/8NPT-1/4NPT Reducing Bushing	90-214-04-PP	
149	2	1/4NPT-1/4TBE Straight Fitting	90-025-00-PP	
150	2	1/4" Street Elbow, Brass	90-212-06-PP	
151	1	RS1000 Foam c/w Core Assembly	21-900-53-*MP	
152	1	Electric RS701 Vertical Arm	56-560-00-SG	
153	1	Electric RS701 Motor Adapter Plate	56-560-40-BK	
154	1	Helical Gear Electric Motor	70-700-10-PP	
155	1	Flange Bearing 1 1/2" SS 2 Hole	90-190-00-PP	
156	1	Electric RS701 Drive Shaft	56-560-30-MP	
157	1	Electric RS701 Mounting Bracket	56-560-20-SG	
158	1	Gearbox Retaining Bushing	56-560-50-MP	
159	1	SHCS 1/2-13 x 1 1/2" S.S.	82-708-024-SIC	
160	1	Counter Weight Elbow	53-003-00-MP	
161	6	SHCS M8x25mm S.S.	82-808-025-SI	
162	1	1/2" NPT Strain Relief	90-055-04-PP	
164	1	1/2" High Collar Lock Washer S.S.	81-208-000-SI	
165	4	HHCS 1/2-13 x 7" S.S.	82-508-112-SIC	
166	12	1/2" Flat Washer S.S.	80-108-000-SI	
167	6	1/2-13 Nylock Nut S.S.	85-008-000-SIC	
168	1	(8mm) Square Key x 3"	53-710-07-MP	
169	4	HHCS 3/8-16 x 2 1/4" S.S.	82-506-036-SIC	
170	8	3/8" Flat Washer S.S.	80-106-000-SI	
171	4	3/8-16 Nylock Nut S.S.	85-006-000-SIC	
172	6	8mm High Collar Lock Washer S.S.	81-308-000-SI	
173	2	HHCS 1/2-13 x 2 1/4" SS	82-508-036-SIC	
174	8	HHCS 1/2-13 x 1 1/2" SS	82-508-024-SIC	
175	2	Fitting Reducer 1/4 NPT – 3/8 FNPT	90-041-02-PP	
176	1	SHCS 3/8-16 x 3 1/2" S.S.	82-706-056-SIC	
177	1	Junction Box Lid & Gasket	70-201-01-PP	
178	1	Oil Reservoir Kit	75-560-07-MP	
179	2	4" x 40" Caution Banner	53-150-10-PP	
180	1	5/8" Lockwasher S.S.	80-910-000-SI	
181	1	5/8-11 Hex Nut S.S.	84-010-000-SIC	
182	1	HHCS 1/2-13 X 1" S.S.	82-508-016-SIC	

**EXPRESSLANE**

<b>Item no.</b>	<b>Req'd</b>	<b>Description</b>	<b>Part no.</b>	<b>Remarks</b>
201	1	Left Hand Entry Rail	68-008-14-MP	
202	1	Right Hand Entry Rail	68-008-15-MP	
203	1	Left Hand Guide Rail 10 ft	68-008-20-MP	2 for Drive Thru with Dryers
204	1	Right Hand Guide Rail 10 ft	68-008-25-MP	2 for Drive Thru with Dryers
205	1	Left Hand Exit Rail	68-008-30-MP	
206	1	Right Hand Exit Rail	68-008-35-MP	
207	1	Left Hand Guide Rail 5 ft	68-008-40-MP	
208	1	Right Hand Guide Rail 5 ft	68-008-45-MP	
209	6	Snap-on Guide Rail Cover	44-049-00-MP	8 for Drive Thru with Dryers
210	84	Spacers	44-045-01-MP	112 for Drive Thru w/ Dryers
211	84	Hex Hd Cap Screw 1/4-20x2" S.S.	82-504-032-SIC	112 for Drive Thru w/ Dryers
212	168	1/4" Flat Washers S.S.	80-204-000-SI	224 for Drive Thru w/ Dryers
213	84	1/4-20 Nylock Nut SS	85-004-000-SIC	112 for Drive Thru w/ Dryers
225	1	Push Button Assembly	68-007-00-MP	
226	1	Push Button Stand – Yellow	68-007-10-YL	
227	1	Push Button Box	90-680-01-MP	
228	4	Phil Hd Screw #8-32 x 1 1/4" S.S.	83-508-020-SNC	
229	4	#8 Flat Washer S.S.	80-108-000-SN	
230	4	#8-32 Nylock Nut S.S.	85-008-320-SIC	
231	1	1/4" Strain Relief 3207	44-584-08-PP	
250	2	Water Arch Base	68-009-10-MP	
251	2	Water Arch Vertical Post	68-009-20-MP	
252	1	Water Arch Horizontal Bar	68-009-30-MP	
253	4	HHCS 3/8-16 x 2 3/4" S.S.	82-506-044-SIC	
254	8	3/8" Flat Washer S.S.	80-106-000-SI	
255	4	3/8-16 Nylock Nut S.S.	85-006-000-SIC	
256	7	Nozzle Body 1/4 NPT, 4 PSI	10-200-06-PP	
257	4	Nozzle Tip 1/4 NPT 10E80	10-250-10-PP	Presoak Arch
258	3	Nozzle Tip 1/4 NPT 06E80	10-250-11-PP	Presoak Arch
259	8	HHCS 1/4-20 x 1 1/4" S.S.	82-504-020-SIC	
260	16	1/4" Flat Washers S.S.	80-204-000-SI	
261	8	1/4-20 Nylock Nut SS	85-004-000-SIC	
262	2	O-Ring 1.25" I.D. X 1.50" O.D. 568A-218	90-450-07-PP	
263	7	Nozzle Tip 1/4 NPT 20E80	10-250-09-PP	Rinse Arch
264	4	Fitting Hydraulic Plug Sqr Hd 3/4 MNPT	95-325-12-PP	

**EXPRESSLANE**

<b>Item no.</b>	<b>Req'd</b>	<b>Description</b>	<b>Part no.</b>	<b>Remarks</b>
300	1	Water/ Chemical Supply Panel	68-020-00-MP	
301	1	Water/Chemical Supply Back Plate	68-020-01-MP	
302	1	4 Port Water/Chemical Manifold	68-020-02-BK	
303	3	Dema Valve assembly	68-020-03-MP	
304	1	Triple Gang Electrical Box Drilled	70-680-01-MP	
305	3	Duplex Receptacle 125V 15A	70-680-02-PP	
306	1	Triple Gang Cover Plate	70-680-03-PP	
307	1	1 3/4" Bushing	70-250-00-PP	
308	1	Strain Relief Kit	70-900-01-PP	
309	1	Connector 9 Pin with Cable	70-305-04-PP	
310	1	Pump Mounting Bracket Assembly	45-256-00-MP	
311	3	Pump Junior 110V	70-500-01-PP	
312	1	Ftg Plug PVC 1 1/2"	90-057-00-PP	
313	4	Strain Relief 1/4"	44-584-08-PP	
314	4	Spacer Nylon 1/2" dia x 1/4" thick	89-008-004-NI	
315	4	Phil Pan Hd Screw #10-24 x 3/4" S.S.	83-510-012-SNC	
316	4	SHCS 1/4-20 x 3" S.S.	82-704-048-SIC	
317	4	Phil Pan Hd Screw #10-24 x 1/2" S.S.	83-510-008-SNC	
318	4	HHCS 5/16-18 x 3/4" S.S.	82-505-012-SIC	
319	4	5/16" Flat Washer S.S.	80-105-000-SI	
320	4	5/16" Lock Washer S.S.	80-905-000-SI	
321	3	Clic Clamp #31 – 35	90-259-03-PP	
322	1	Dema Valve	10-100-05-PP	
323	1	Adapter Fitting 3/4 NPT-3/4"GHT	52-524-00-PP	
324	1	Garden Hose Washer Red	90-202-00-PP	
325	1	Swivel Connector 1/2" NPT	90-026-00-PP	
326	1	1/4" Strain Relief	44-584-08-PP	
327	1	1/2" NPT Nylon Nut	84-008-000-NIN	
328	1	Adapter Fitting 3/4"MPT-3/4" Sch 40	90-070-02-PP	
329	1	3/4" I.D.Sch 40 PVC Pipe x 3 7/16" Long	33-191-81-2GY	
330	1	Fitting Tee 3/4" Fem	90-011-08-PP	
331	1	3/4"Pipe 1/2"NPT Bushing	90-071-01-PP	
332	1	Pump Injector Fitting		Comes with Pump
334	1	3/4" I.D. Sch 40 PVC Pipe x 1 1/2"	33-191-81-2GY	
335	1	Adapter Ftg 3/4"FPT-3/4" Sch 40	90-070-01-PP	

# EXPRESSLANE

<i>Item no.</i>	<i>Req'd</i>	<i>Description</i>	<i>Part no.</i>	<i>Remarks</i>
336	1	Adapter Fitting 3/4"HB 3/4" GHT	52-523-00-PP	
337	1	Wire 18ga 3-stnd Black x 20"	33-600-41-5BK	
350	1	Air Supply Panel	68-010-00-MP	
351	1	Air Supply Mounting Bracket	68-010-01-MP	
352	1	Air Supply Cover Plate	68-010-02-MP	
353	1	Air Supply Decal	36-068-01-PP	
354	4	Phil Pan Head Screw #8-32 x 3/8" S.S.	83-508-006-SNC	
355	4	#8 Lock Washer S.S.	80-908-000-SN	
356	4	#8 Flat Washer S.S.	80-108-000-SN	
357	1	Solenoid Valve Assembly 110V	68-010-05-MP	SEE ITEM #377
358	6	Air Regulator R25-02B	90-110-01-PP	
359	1	Air Regulator NAR 2000-N02	44-101-01-PP	
360	13	90 deg Swivel Elbow 1/4NPT 1/4" Tube	90-223-06-PP	
361	1	Straight Tube Connector 1/4NPT-1/4 Tube	90-025-00-PP	
362	1	Y Tube Connector	90-253-04-PP	
363	4	T Tube Connector	90-234-04-PP	
364	8	90 deg Elbow PLJ 1/4	90-222-00-PP	
365	2	Mounting Bracket	68-968-03-PP	
366	6	0-60 PSI Gauge	90-060-00-PP	
367	1	0-160 PSI Gauge	90-160-00-PP	
368	4	Phil Pan Hd Screw #10-24x1/2" S.S.	83-510-008-SNC	
369	4	#10 Lock Washer	80-910-000-SN	
370	4	#10 Flat Washer S.S.	80-110-000-SN	
371	1	Wire 18ga 3-stnd Black x 36"	33-600-41-5BK	
372	1	Electrical 3 Prong Plug 5256-VY	47-024-01-PP	
373	6	Regulator Nut R05 x 51	90-115-00-PP	
374	2	Bleed off Coupling	90-236-04-MP	
375	1	SMC Air Lubricator	68-968-02-PP	
376	1	SMC Air Filter	68-968-01-PP	
377	PLUG ONLY	Replacement Din Plug 110V for item 357		

\* Brush Colour Variation

R = Red    U = Blue    Q = Red/Blue  
 E = Red/Blue/Red    S = Blue/Red/Blue