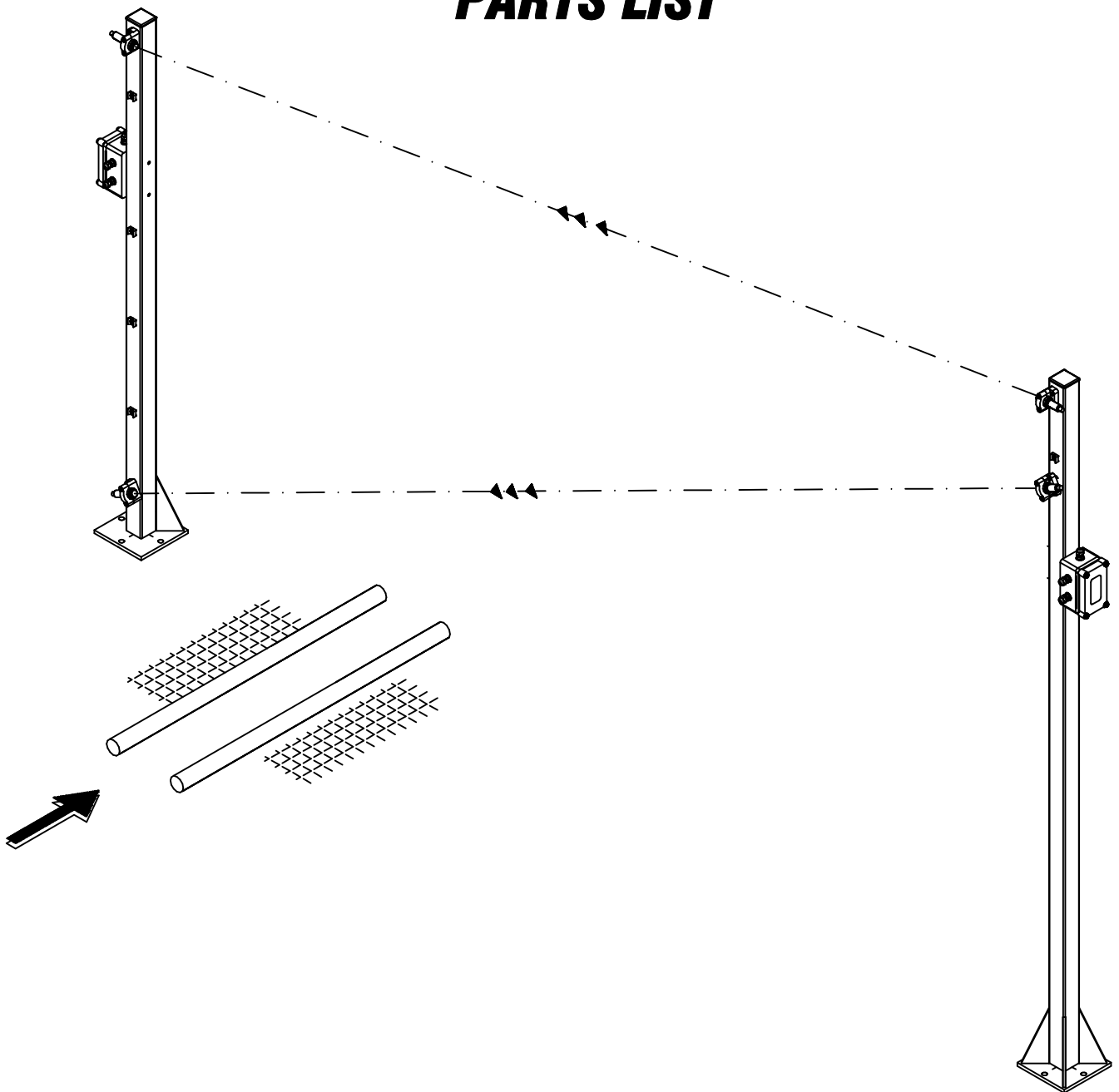




IR 110-2

VEHICLE DETECTOR (DOUBLE)

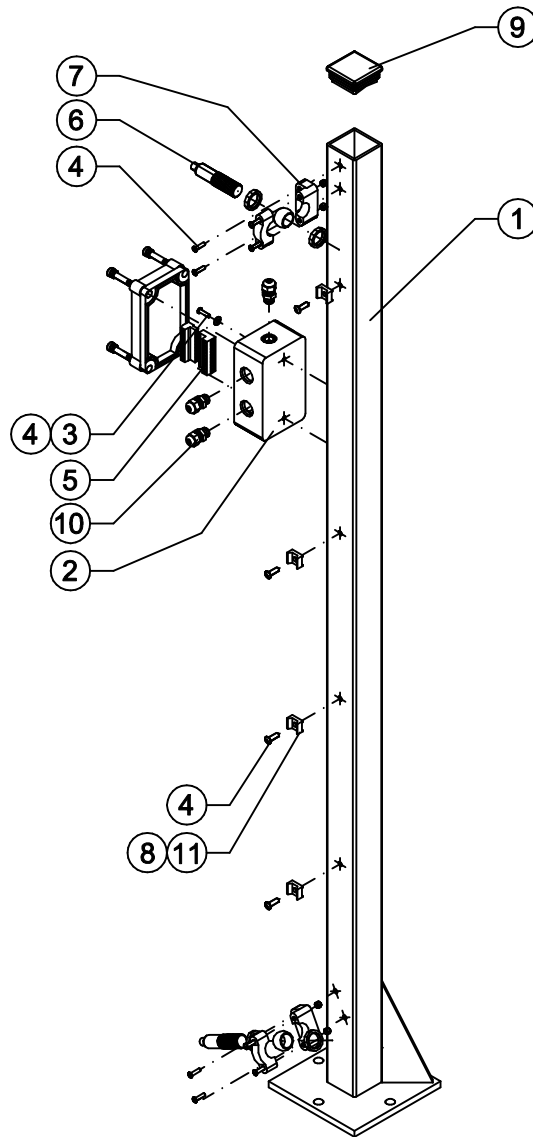
PARTS LIST



**IR 110-2
VEHICLE DETECTOR (DOUBLE)**

OCT 2002

PAGE #2



MACNEIL WASH SYSTEMS

IR 110-2

VEHICE DETECTOR (DOUBLE)

OCT 2002

PAGE #3

Item no.	Req'd	Description	Part no.	Remarks
1a	1	Vehicle Detector Short Post(receiver)	26-020-00-SG	
1b	1	Vehicle Detector Long Post(Emitter)	26-010-00-SG	
2a	1	Enclosure Box 5(L)X3(W)X3(H) LH	70-200-04-MP	
2b	1	Enclosure Box 5(L)X3(W)X3(H) RH	70-200-05-MP	
3	4	Flat Washer #10 S.S.	80-110-000-SN	
4	18	#10-24X3/4" PHL Screw S.S.	83-510-012-SNC	
5a	1	10 Position Male Terminal Connector (receiver side)	70-065-01-PP	
5b	1	10 Position Female Terminal Connector (receiver side)	70-065-02-PP	
5c	1	4 Position Female Terminal Connector (emitter side)	70-026-01-PP	
5d	1	4 Position Male Terminal Connector (emitter side)	70-065-02-PP	
6a	2	Photo-Electric Sensor (Reciever)	70-080-05-PP	
6b	2	Photo-Electric Sensor (Emitter) S186E	70-080-06-PP	
7	4	Sensor Mounting Bracket SMB18SF	70-080-07-PP	
8	6	Tie Strap 4"lg	44-561-14-PP	
9	2	Insert Glide 2"X2"X1/8" (SQR-20-1014A)	26-015-00-PP	
10	6	Strain relief	44-584-08-PP	
11	6	Cradle Mount #8	70-150-01-PP	

MACNEIL WASH SYS.