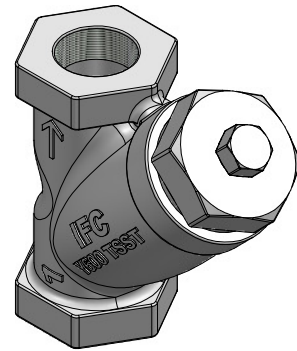
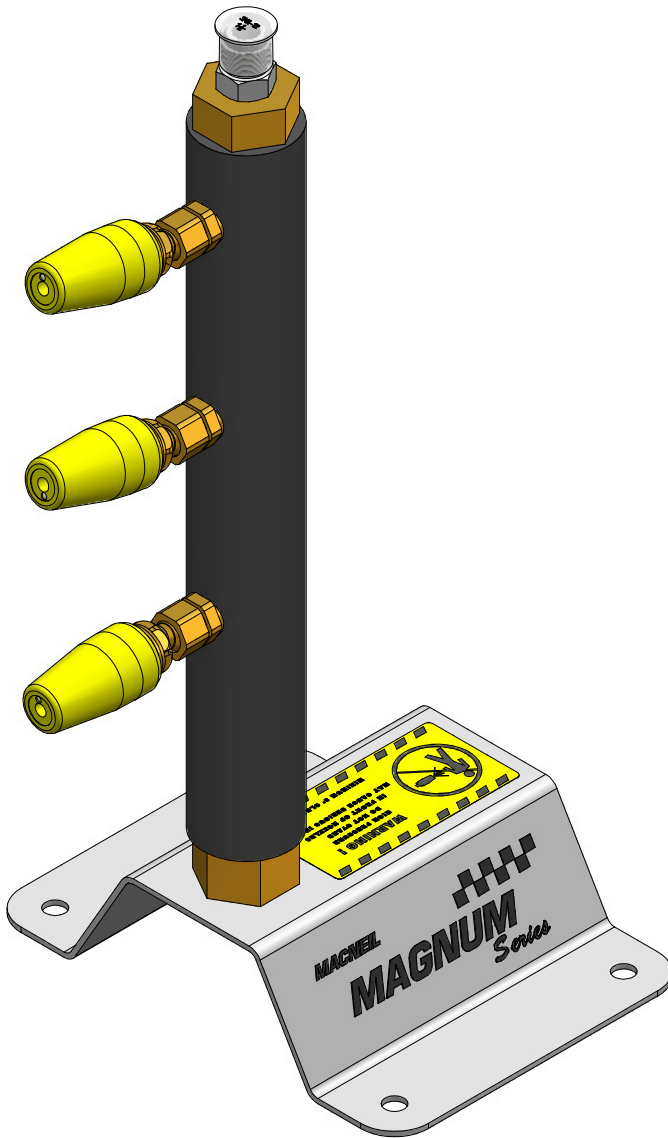




**WB300 WHEEL BLASTER**  
**DOCUMENT #EPL-WB300**



**HIGH PRESSURE  
 STRAINER  
 PART NO. 90-126-00-MP**



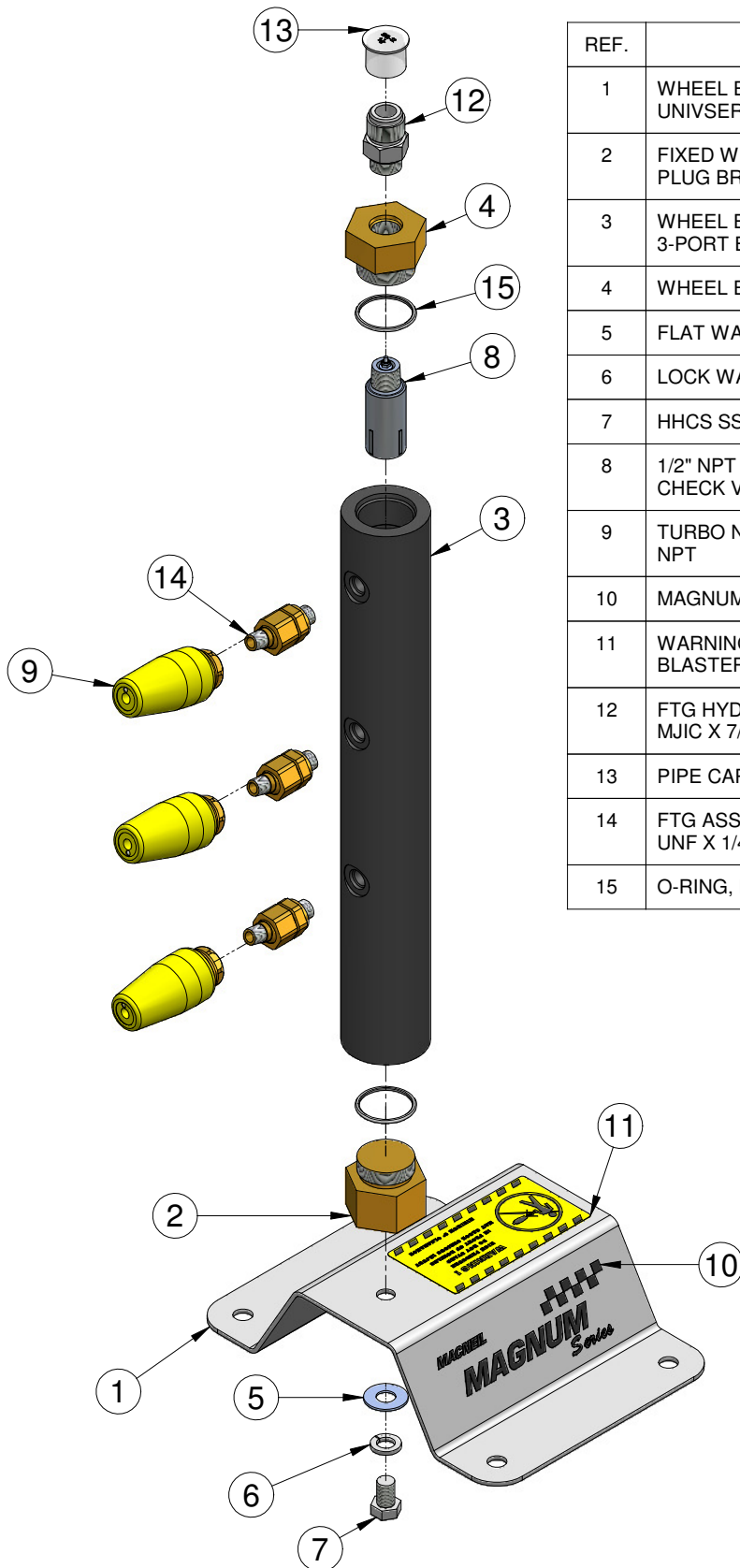
90 Welham Road, Barrie, Ontario 705-722-7649

TITLE WB300 WHEEL BLASTER, FIXED, 3-NOZZLE		
PART NO. EPL-WB300	DWG NO EPL-WB300	REV B
DATE: SEPT 24, 2007		SHEET 1 OF 2

**MacNeil Wash Systems- Parts List**

# WB300 WHEEL BLASTER

## DOCUMENT #EPL-WB300



REF.	DESCRIPTION	PART NUMBER	QTY
1	WHEEL BLASTER BASE FIXED UNIVSERAL SS 10ga	14-103-01-PP	1
2	FIXED WHEEL BLASTER LOWER PLUG BR MACH'D	95-040-02-MP	1
3	WHEEL BLASTER MANIFOLD 3-PORT BK	14-103-21-BK	1
4	WHEEL BLASTER SHORT INSERT	95-040-01-MP	1
5	FLAT WASHER SS 1/2"	80-108-000-SI	1
6	LOCK WASHER SS 1/2"	80-908-000-SI	1
7	HHCS SS 1/2"-13 X 3/4"	82-508-012-SIC	1
8	1/2" NPT PVC IN-LINE ADJUSTABLE CHECK VALVE	90-148-05-PP	1
9	TURBO NOZZLE, SIZE 3, 1/4-18 NPT	10-220-03-PP	3
10	MAGNUM DECAL 6.5"W	36-014-01-PP	1
11	WARNING DECAL - WHEEL BLASTER	36-014-02-PP	1
12	FTG HYD REDUCER 1-1/16"-12 MJIC X 7/8-14 MORB	95-306-10-PP	1
13	PIPE CAP, PLASTIC, 1 1/16"	05-090-12-PP	1
14	FTG ASSY SWIVEL BALL BR 9-18 UNF X 1/4"NPT	90-237-10-PP	3
15	O-RING, ID 1-1/2" 568-920 90D	90-450-12-PP	2



90 Welham Road, Barrie, Ontario 705-722-7649

TITLE WB300 WHEEL BLASTER, FIXED, 3-NOZZLE		
PART NO EPL-WB300	DWG NO EPL-WB300	REV B
DATE: SEPT 24, 2007	SHEET 2 OF 2	

## MacNeil Wash Systems- Parts List