

# TECH 21

## ADVANCED DRYING SYSTEM



# The Dryer With the Smarts.

The new Tech 21 dryer is so advanced, so intelligent, it gives you total power over your drying. With its revolutionary SMART nozzle, the Tech 21 lets you control the direction of airflow required to produce the drying results you need. Get Results. Get MacNeil.



Patent Pending

SMART  
nozzles  
utilize fiber  
optics to  
synchronize  
airflow.



Hand held remote controller makes  
SMART nozzle easy to program.



[www.macneilwash.com](http://www.macneilwash.com)

# 1-800-361-7797

Call us toll-free in the U.S. and Canada

# Imagine total drying control.

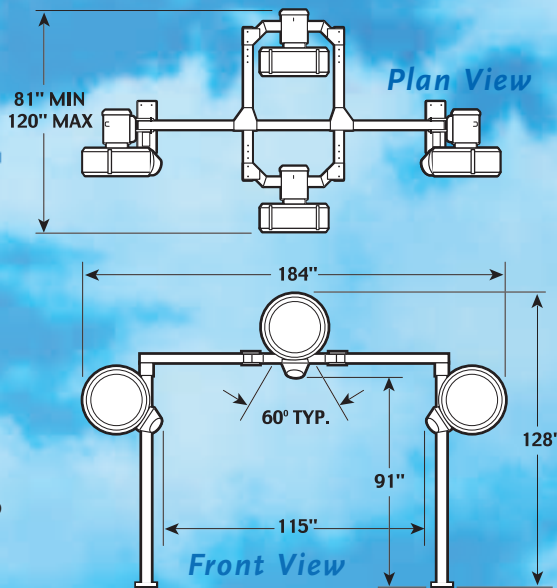
By providing complete airflow control, the Tech 21 Advanced Drying System allows you to achieve the drying quality you need. With the SMART nozzle you can now dry those hard or impossible to dry areas such as side mirrors or vehicle backs, therefore improving your overall wash quality and profitability.



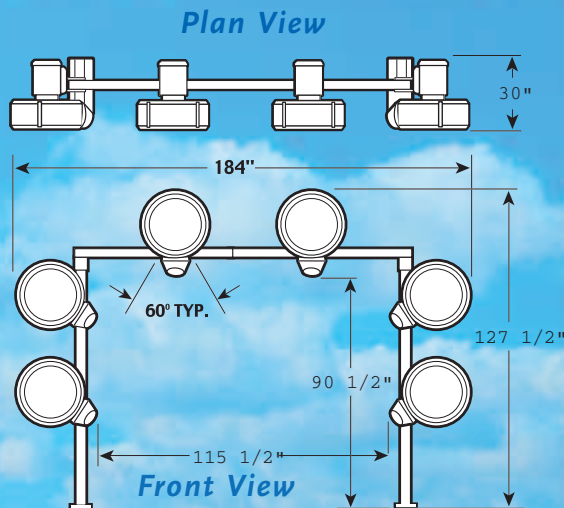
Tech 21  
RD400

The Tech 21 offers the ultimate in flexibility. Available in 20, 30 or 40HP package systems or, as a Pro-Build system, it can be customized to suit your specific needs and customer profiles. All systems can be ordered with stationary nozzles, SMART nozzles or a combination of both and, with the optional hand held remote controller, you can easily program your drying capability with just the touch of a button. The results - dryer cars and happier customers.

## Tech 21 RD400



## Pro-Build System



## Tech 21 Features

- Fiber optic nozzle synchronization
- Dries backs of vehicles & mirrors
- 155 mph air speed
- Programmable SMART Nozzle
- No conflicting airflow
- Flexible design allows for customization
- Welded steel fans produce high volume of airflow
- Stainless steel reinforced molded producer housings for greater safety and less noise
- Maintenance free Pro-Coat Finish
- 3800 CFM (107.6 CMM) rating
- 1 year warranty on drive system
- Dynamically balanced fan

## Types of Systems

### Package Systems:

- Tech 21 RD200 Side Booster System (20HP)
- Tech 21 RD300 3-Producer System (30HP)
- Tech 21 RD400 4-Producer System (40HP)

### Pro-Build System Components:

- Arch - Aluminum, Pro-Coat, 3pc construction
- 10HP Fixed Nozzle Producer
- 10HP SMART Nozzle Producer
- Vehicle detector Kit
- Hand Held Remote Programmable Controller for programming all SMART nozzles

## SMART Nozzle Features

- Multiple programmable positions
- Nozzle can rotate 360 degrees
- Oscillating and flipping features
- Time delay feature to increase dwell time on hard-to-dry areas

## Technical Data

- 155 mph air speed
- Fan Motor - 10HP 208/230/460/575 volts 3PH
- Nozzle Motor - 110 volts 50W
- 3800 CFM (107.6 CMM)



**TECH 21**  
ADVANCED DRYING SYSTEM

MacNeil Wash Systems Limited  
90 Welham Road, Barrie, ON L4N 8Y4 Canada  
Ph: 705-722-7649 Fax: 705-722-0582  
800-361-7797 www.macneilwash.com