

BLUWAVE

MACNEIL ROBOTIC WASH SYSTEMS

Linear Profiler

The BLUWAVE linear profiler represents the latest in following arch technology from MacNeil Wash Systems. BLUWAVE is the direct response to our customers' requests for a linear profiler that offers precise profiling and optimum vehicle safety in a space saving package.



Adaptable

- Adjusts automatically to conveyor speed and vehicle profile for consistent wash quality
- Single post design requires minimal tunnel space
- Drivers side or passenger side mount
- Used for all wash applications

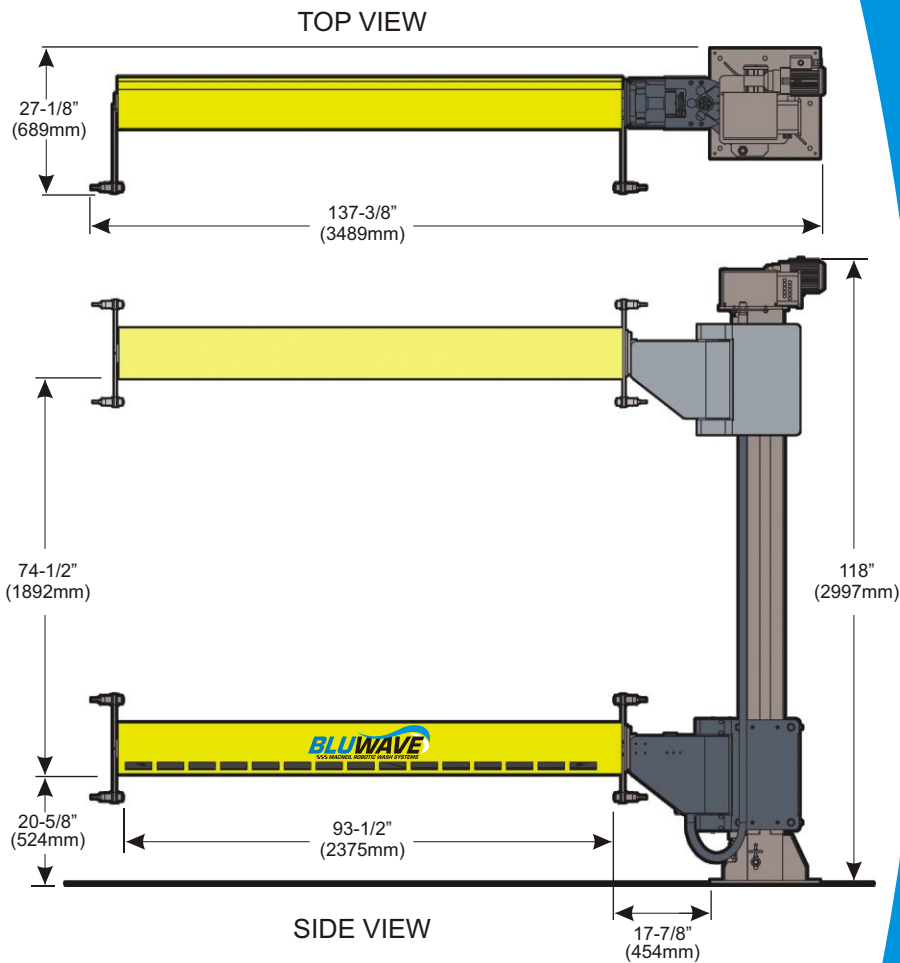
Efficient

- Maintains a constant safe distance from vehicle surface for optimum effectiveness
- Designed to use reclaimed water
- Full electric control offers fast response, ease of installation and clean operation

Safe

- Two-axis direction breakaway feature ensures complete vehicle protection
- Equipped to automatically "E" stop the wash
- Multiple profiling sensors automatically adjust to every vehicle
- Boom is equipped with bumper rings to fully protect vehicles

MACNEIL



FEATURES

- Consistent 8-10" (20-25cm) distance from vehicle surface
- Multiple control sensors
- 94" (2.4m) boom length
- 90° position boom rotation
- Electric operation with VFD motor controls
- Single post design
- 2 axis breakaway system
- Bumpers along full length of boom to prevent vehicle damage

TECHNICAL SPECIFICATIONS

ELECTRICAL

- 208 -three phase or 208 -single phase or 480 volt available

WATER

- 3/4" (19 mm) water line
- 750 PSI @ 35 or 25 GPM

PNEUMATICS

- 80 PSI
- 1/4" (6.35 mm) air line

MAST

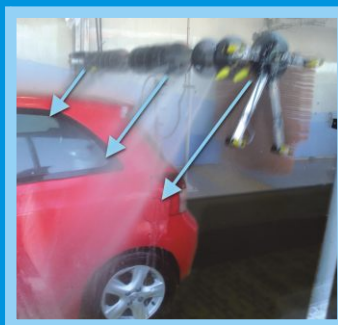
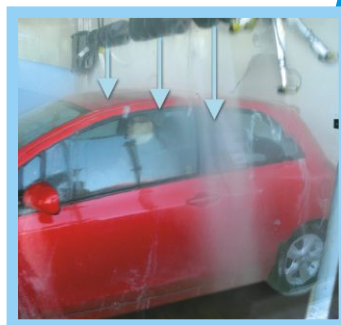
- 10'3" (3.1m) high

BOOM

- Travel height – min 2'3" (.68m) to 9'2" (2.8m) max
- Rotation – 90°, 3 positions

BREAKAWAY SYSTEM

- Horizontally forward or backward up to 90°
- Vertically up to 90°
- If activated breakaway automatically "E" stops the wash



90° spray rotation provides 100% vehicle coverage

MACNEIL

MacNeil Wash Systems Limited
 90 Welham Road, Barrie, Ontario L4N 8Y4 Canada
 Phone: 1-800-361-7797 or 705-722-7649
 Fax: 705-722-0582
www.macneilwash.com